

8 7 6 5 4 3 2 1

D

C

B

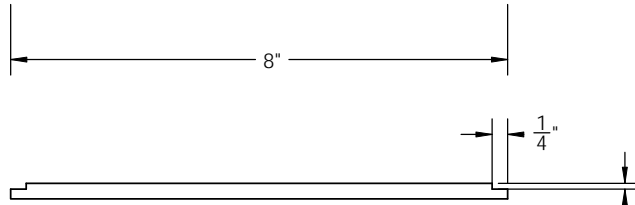
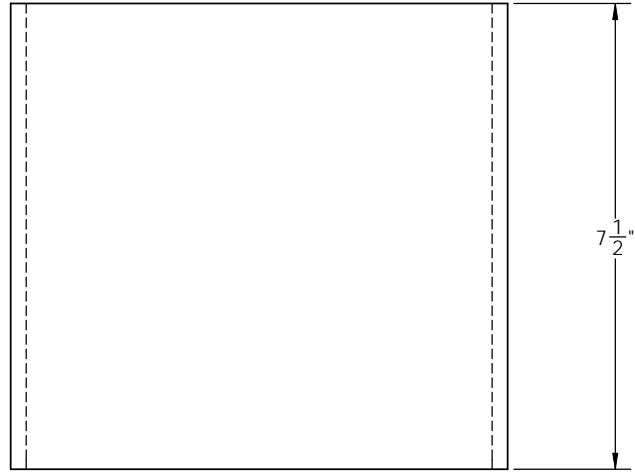
A

D

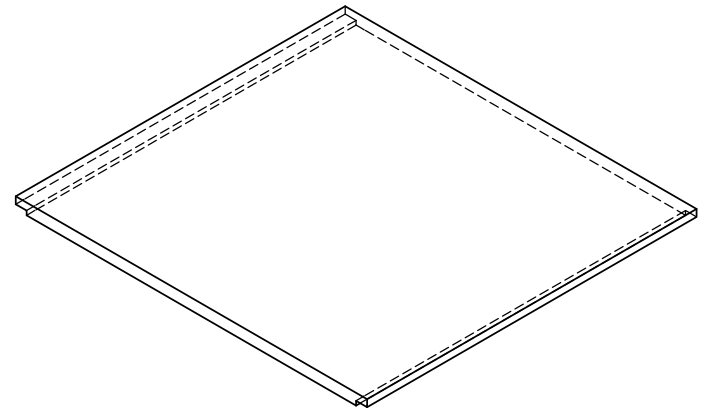
C

B

A



[.09375]
3/32"



PROPRIETARY AND CONFIDENTIAL
THE INFORMATION CONTAINED IN THIS DRAWING IS THE SOLE PROPERTY OF RIT SENIOR DESIGN 09503. ANY REPRODUCTION IN PART OR AS A WHOLE WITHOUT THE WRITTEN PERMISSION OF RIT SENIOR DESIGN 09503 IS PROHIBITED.

		UNLESS OTHERWISE SPECIFIED:		NAME	DATE	RIT SR DESIGN 09503		
		DIMENSIONS ARE IN INCHES		DRAWN	RPG			01/16/09
		TOLERANCES:		CHECKED		TITLE:		
		FRACTIONAL ± 1/32		ENG APPR.		CLEAR TRAY		
		ANGULAR: MACH ± 1° BEND ± 1°		MFG APPR.				
		TWO PLACE DECIMAL ±		Q.A.		COMMENTS:		
		THREE PLACE DECIMAL ±				Surface must be kept clear of scratches and marks. Do not remove protective cover until part is ready to install.		
		INTERPRET GEOMETRIC TOLERANCING PER:				SIZE	DWG. NO.	REV
		MATERIAL				B	cleartray	
NEXT ASSY		USED ON		FINISH		SCALE: 1:2 WEIGHT: SHEET 1 OF 1		
				NONE				
APPLICATION				DO NOT SCALE DRAWING				

8 7 6 5 4 3 2 1