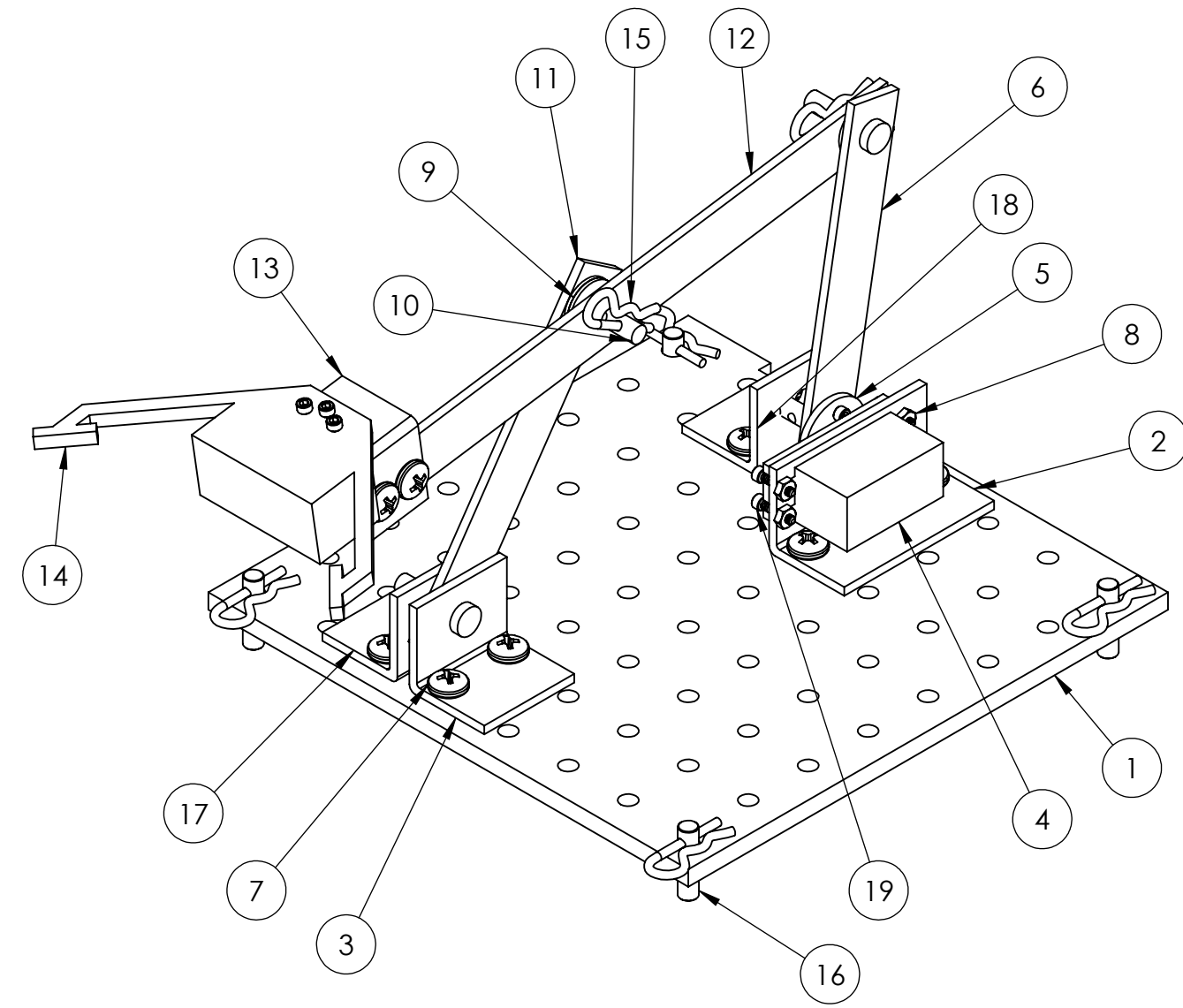


8 7 6 5 4 3 2 1

D
C
B
A



ITEM NO.	PART NUMBER	DESCRIPTION	QTY.
1	P11213 - Mounting Plate		1
2	P11213 - Servo Bracket		1
3	P11213 - Pinned Mount		1
4	P11213 - Drive Servo		1
5	P11213 - Servo Output Gear		1
6	P11213 - Link A1		1
7	P11213 - Plate Mount Screw		10
8	P11213 - Servo Mount Nut		9
9	P11213 - Spacer		4
10	P11213 - Clevis Pin		4
11	P11213 - Link A2		1
12	P11213 - Link A3		1
13	P11213 - Effector Mount		1
14	P11213 - End Effector		1
15	P11213 - Cotter Pin		7
16	P11213 - Dowel Pin		4
17	P11213 - Pinned Mount 2		1
18	P11213 - Motor Pinned Mount		1
19	P11213 - Servo Mounting Screw		9

PROPRIETARY AND CONFIDENTIAL
 THE INFORMATION CONTAINED IN THIS DRAWING IS THE SOLE PROPERTY OF <INSERT COMPANY NAME HERE>. ANY REPRODUCTION IN PART OR AS A WHOLE WITHOUT THE WRITTEN PERMISSION OF <INSERT COMPANY NAME HERE> IS PROHIBITED.

		UNLESS OTHERWISE SPECIFIED:	NAME	DATE	TITLE: P11213 - Assembly A
		DIMENSIONS ARE IN INCHES	DRAWN	AJK	
		TOLERANCES:	CHECKED	DAR	
		FRACTIONAL ±	ENG APPR.		
		ANGULAR: MACH ± BEND ±	MFG APPR.		
		TWO PLACE DECIMAL ±	Q.A.		SIZE DWG. NO. REV
		THREE PLACE DECIMAL ±	COMMENTS:		
NEXT ASSY	USED ON	INTERPRET GEOMETRIC TOLERANCING PER:			SCALE: 1:4 WEIGHT: SHEET 1 OF 1
APPLICATION		MATERIAL			
		FINISH			
		DO NOT SCALE DRAWING			

8 7 6 5 4 3 2 1