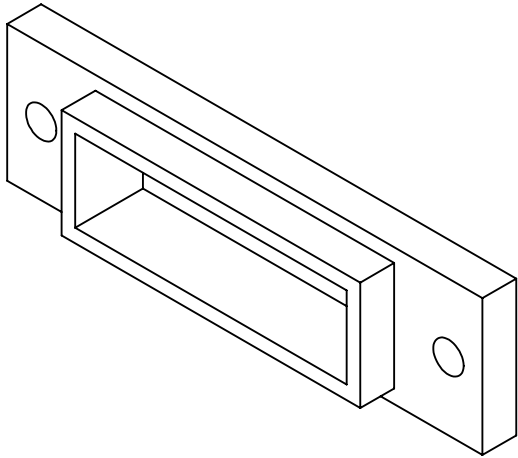
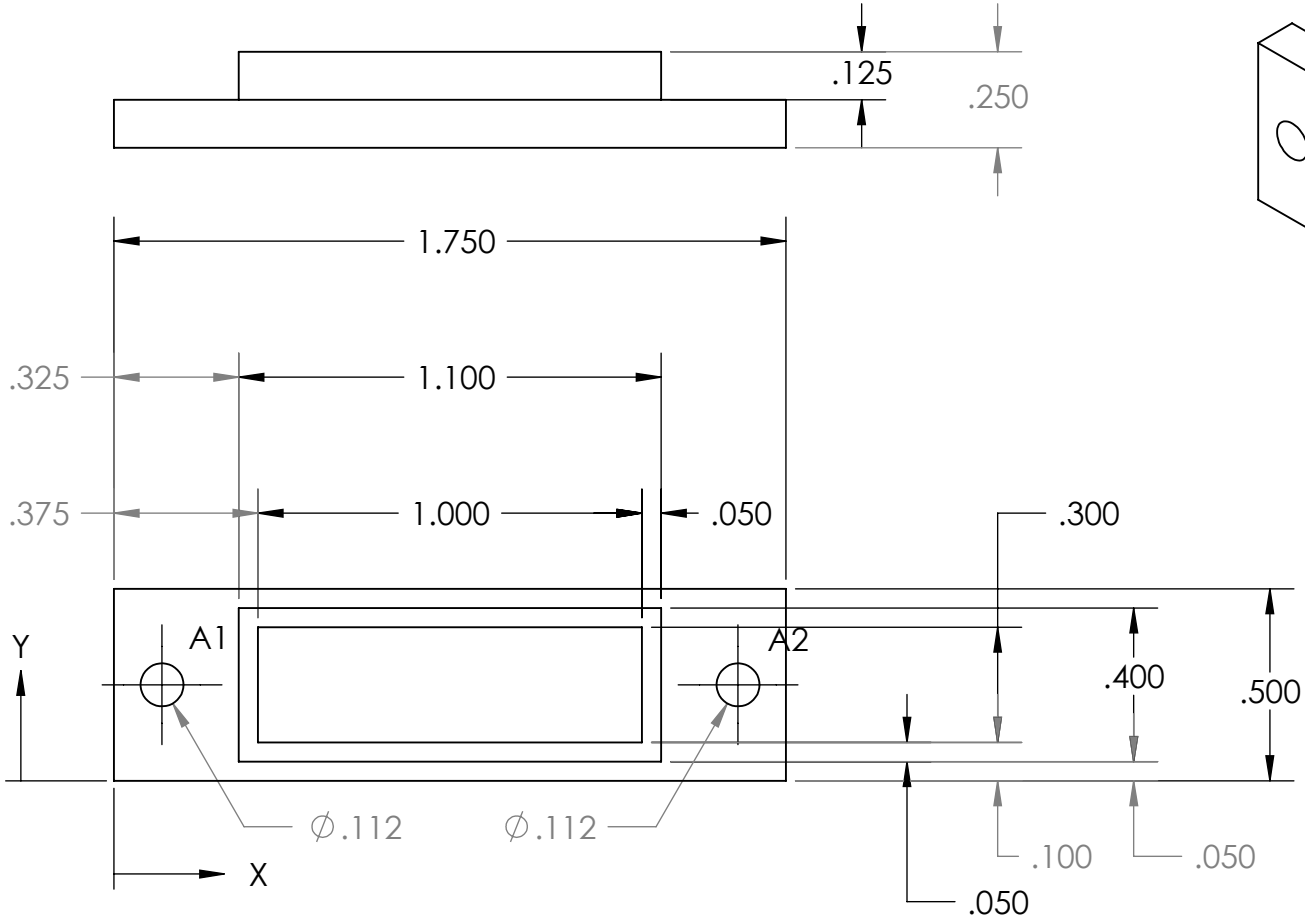


TAG	X LOC	Y LOC	SIZE
A1	.125	.250	Ø .0890 THRU ALL 4-40 UNC THRU ALL
A2	1.625	.250	Ø .0890 THRU ALL 4-40 UNC THRU ALL



PROPRIETARY AND CONFIDENTIAL
 THE INFORMATION CONTAINED IN THIS DRAWING IS THE SOLE PROPERTY OF <INSERT COMPANY NAME HERE>. ANY REPRODUCTION IN PART OR AS A WHOLE WITHOUT THE WRITTEN PERMISSION OF <INSERT COMPANY NAME HERE> IS PROHIBITED.

		UNLESS OTHERWISE SPECIFIED:	NAME	DATE
		DIMENSIONS ARE IN INCHES	DRAWN	AJK
		TOLERANCES:	CHECKED	DAR
		FRACTIONAL ±	ENG APPR.	
		ANGULAR: MACH ± BEND ±	MFG APPR.	
		TWO PLACE DECIMAL ±	Q.A.	
		THREE PLACE DECIMAL ±	COMMENTS:	
		INTERPRET GEOMETRIC TOLERANCING PER:	To be 3D printed in Brinkman Lab	
		MATERIAL	Material: ABS Plastic	
		FINISH	Color: White	
NEXT ASSY	USED ON			
APPLICATION		DO NOT SCALE DRAWING		

TITLE: P11213 - Header Shroud		
SIZE A	DWG. NO.	REV
SCALE: 2:1	WEIGHT:	SHEET 1 OF 1