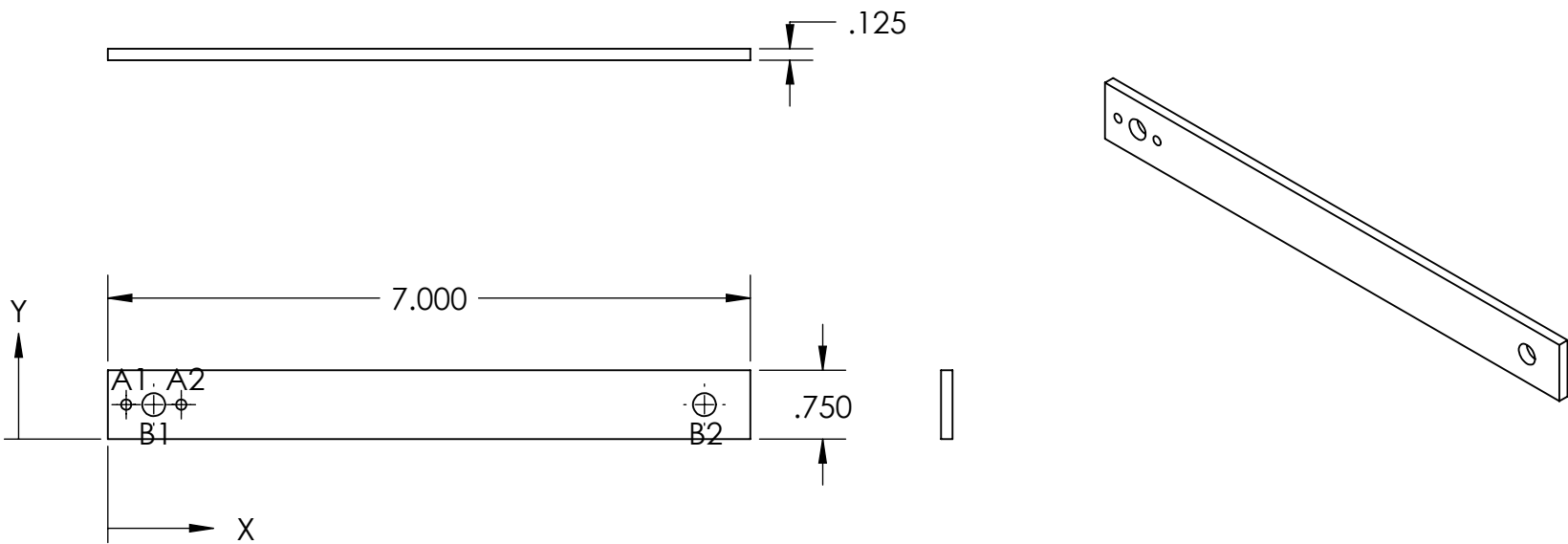


TAG	X LOC	Y LOC	SIZE
A1	.200	.375	∅ .0890 THRU ALL 4-40 UNC THRU ALL
A2	.800	.375	∅ .0890 THRU ALL 4-40 UNC THRU ALL
B1	.500	.375	∅ .2010 THRU ALL 1/4-20 UNC THRU ALL
B2	6.500	.375	∅ .2010 THRU ALL 1/4-20 UNC THRU ALL



**PROPRIETARY AND CONFIDENTIAL**  
 THE INFORMATION CONTAINED IN THIS DRAWING IS THE SOLE PROPERTY OF <INSERT COMPANY NAME HERE>. ANY REPRODUCTION IN PART OR AS A WHOLE WITHOUT THE WRITTEN PERMISSION OF <INSERT COMPANY NAME HERE> IS PROHIBITED.

		UNLESS OTHERWISE SPECIFIED:		NAME	DATE	TITLE:  P11213 - Link A1								
		DIMENSIONS ARE IN INCHES	DRAWN	AJK					SIZE DWG. NO. REV					
		TOLERANCES:	CHECKED	DAR								SCALE: 1:2 WEIGHT: SHEET 1 OF 1		
		FRACTIONAL ±	ENG APPR.											
		ANGULAR: MACH ± BEND ±	MFG APPR.											
		TWO PLACE DECIMAL ±	Q.A.											
		THREE PLACE DECIMAL ±	COMMENTS:	Student part, Aluminum										
		INTERPRET GEOMETRIC TOLERANCING PER:												
		MATERIAL												
		FINISH												
NEXT ASSY	USED ON	APPLICATION	DO NOT SCALE DRAWING											

5

4

3

2

1