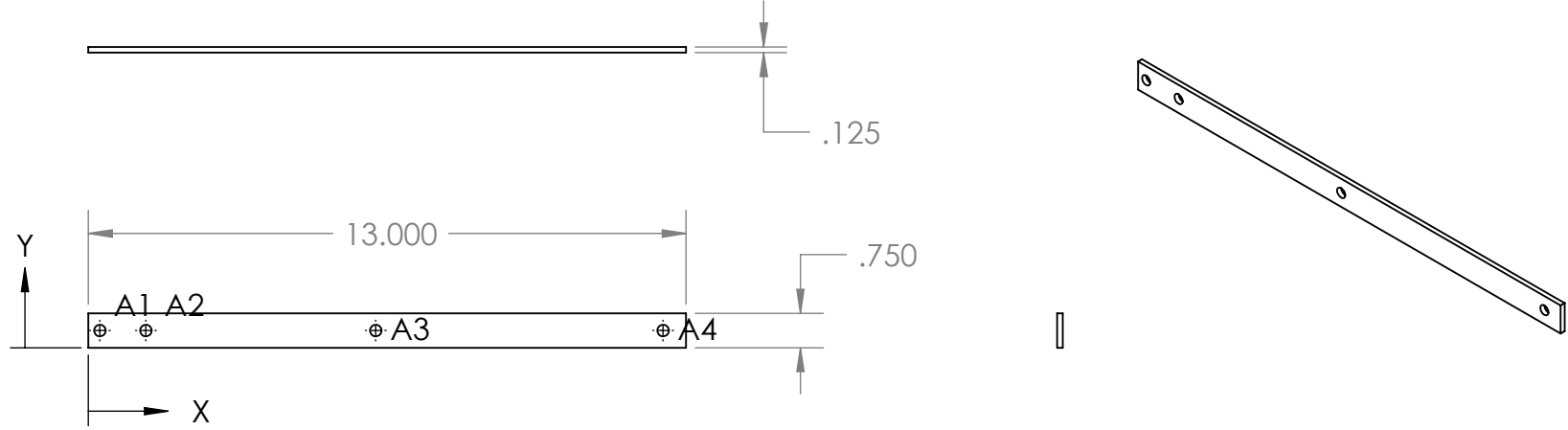


TAG	X LOC	Y LOC	SIZE
A1	.250	.375	∅ .2010 THRU ALL 1/4-20 UNC THRU ALL
A2	1.250	.375	∅ .2010 THRU ALL 1/4-20 UNC THRU ALL
A3	6.250	.375	∅ .2010 THRU ALL 1/4-20 UNC THRU ALL
A4	12.500	.375	∅ .2010 THRU ALL 1/4-20 UNC THRU ALL



PROPRIETARY AND CONFIDENTIAL
 THE INFORMATION CONTAINED IN THIS DRAWING IS THE SOLE PROPERTY OF <INSERT COMPANY NAME HERE>. ANY REPRODUCTION IN PART OR AS A WHOLE WITHOUT THE WRITTEN PERMISSION OF <INSERT COMPANY NAME HERE> IS PROHIBITED.

		UNLESS OTHERWISE SPECIFIED:		NAME	DATE	TITLE: P11213 - Link A3											
		DIMENSIONS ARE IN INCHES	DRAWN	AJK					SIZE DWG. NO. REV A								
		TOLERANCES: FRACTIONAL ±	CHECKED	DAR								SCALE: 1:4 WEIGHT: SHEET 1 OF 1					
		ANGULAR: MACH ± BEND ±	ENG APPR.												APPLICATION DO NOT SCALE DRAWING		
		TWO PLACE DECIMAL ±	MFG APPR.														
		THREE PLACE DECIMAL ±	Q.A.														
		INTERPRET GEOMETRIC TOLERANCING PER:	COMMENTS: Student part, Aluminum														
		MATERIAL															
		FINISH															
NEXT ASSY	USED ON																
APPLICATION		DO NOT SCALE DRAWING															