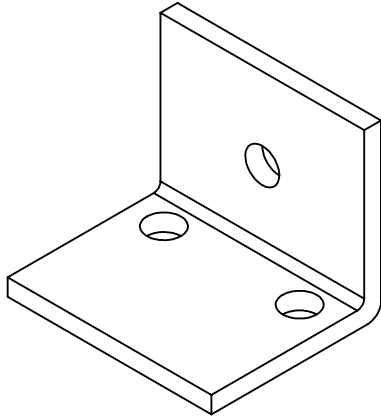
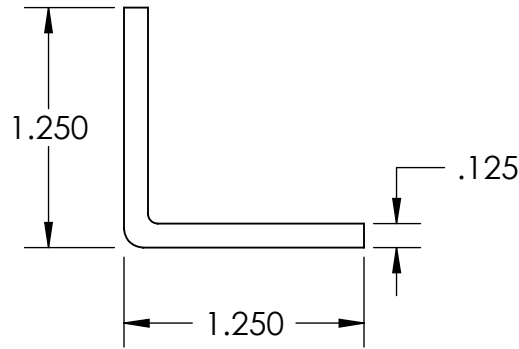
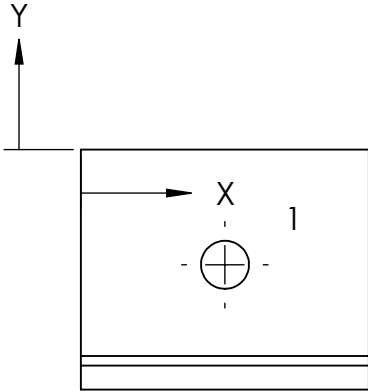
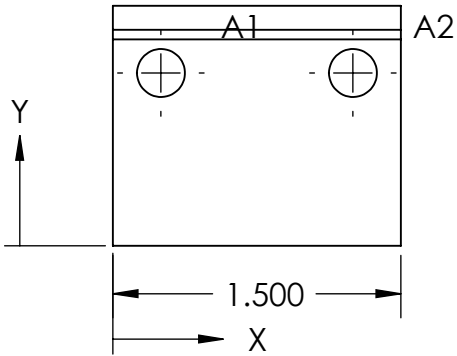


TAG	X LOC	Y LOC	SIZE
A1	.250	.900	Ø .2010 THRU ALL 1/4-20 UNC THRU ALL
A2	1.250	.900	Ø .2010 THRU ALL 1/4-20 UNC THRU ALL

TAG	X LOC	Y LOC	SIZE
1	.750	-.600	Ø .2500 THRU ALL



PROPRIETARY AND CONFIDENTIAL
 THE INFORMATION CONTAINED IN THIS DRAWING IS THE SOLE PROPERTY OF <INSERT COMPANY NAME HERE>. ANY REPRODUCTION IN PART OR AS A WHOLE WITHOUT THE WRITTEN PERMISSION OF <INSERT COMPANY NAME HERE> IS PROHIBITED.

		UNLESS OTHERWISE SPECIFIED:		NAME	DATE
		DIMENSIONS ARE IN INCHES	DRAWN	AJK	
		TOLERANCES:	CHECKED	DAR	
		FRACTIONAL ±	ENG APPR.		
		ANGULAR: MACH ± BEND ±	MFG APPR.		
		TWO PLACE DECIMAL ±	Q.A.		
		THREE PLACE DECIMAL ±	COMMENTS:	Made from angle steel	
		INTERPRET GEOMETRIC TOLERANCING PER:			
		MATERIAL			
NEXT ASSY	USED ON	FINISH			
APPLICATION		DO NOT SCALE DRAWING			

TITLE:
P11213 - Motor Pinned Mount

SIZE **A** DWG. NO. REV

SCALE: 1:1 WEIGHT: SHEET 1 OF 1