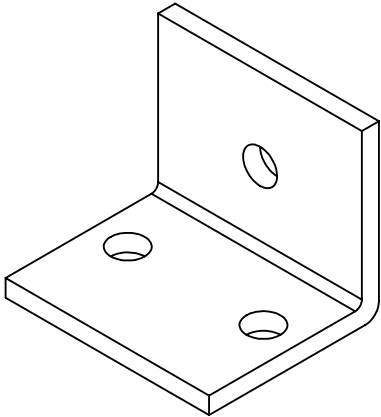
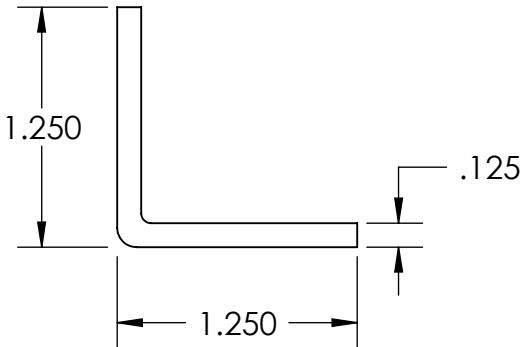
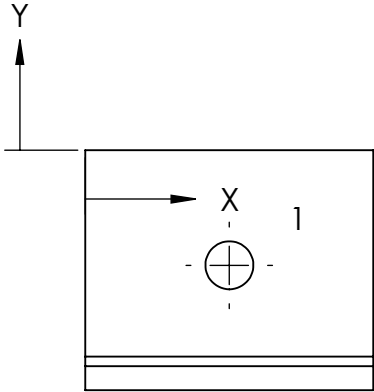
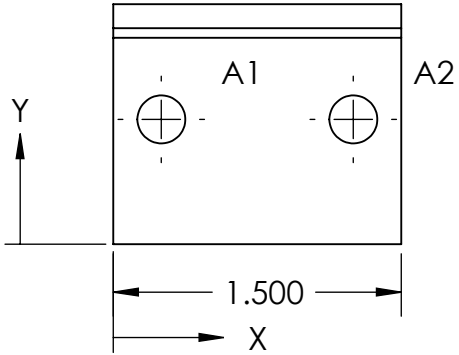


TAG	X LOC	Y LOC	SIZE
A1	.250	.650	Ø .2010 THRU ALL 1/4-20 UNC THRU ALL
A2	1.250	.650	Ø .2010 THRU ALL 1/4-20 UNC THRU ALL

TAG	X LOC	Y LOC	SIZE
1	.750	-.600	Ø .2500 THRU ALL



PROPRIETARY AND CONFIDENTIAL
 THE INFORMATION CONTAINED IN THIS DRAWING IS THE SOLE PROPERTY OF <INSERT COMPANY NAME HERE>. ANY REPRODUCTION IN PART OR AS A WHOLE WITHOUT THE WRITTEN PERMISSION OF <INSERT COMPANY NAME HERE> IS PROHIBITED.

		UNLESS OTHERWISE SPECIFIED:		NAME	DATE	TITLE: P11213 - Pinned Mount 2
		DIMENSIONS ARE IN INCHES	DRAWN	AJK		
		TOLERANCES: FRACTIONAL ±	CHECKED	DAR		
		ANGULAR: MACH ± BEND ± TWO PLACE DECIMAL ± THREE PLACE DECIMAL ±	ENG APPR.			
		INTERPRET GEOMETRIC TOLERANCING PER:	MFG APPR.			
		MATERIAL	Q.A.			
		FINISH	COMMENTS: Made from angle steel			
NEXT ASSY	USED ON					SIZE DWG. NO. REV
	APPLICATION	DO NOT SCALE DRAWING				A
						SCALE: 1:1 WEIGHT: SHEET 1 OF 1