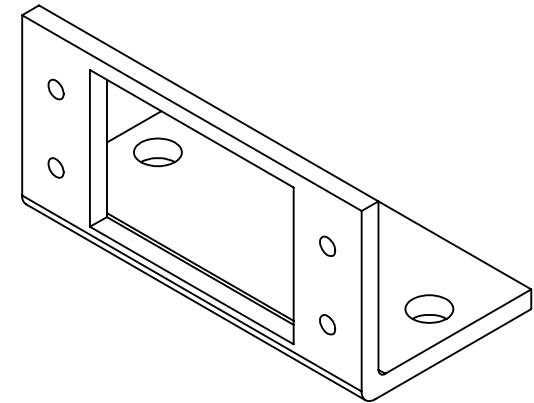
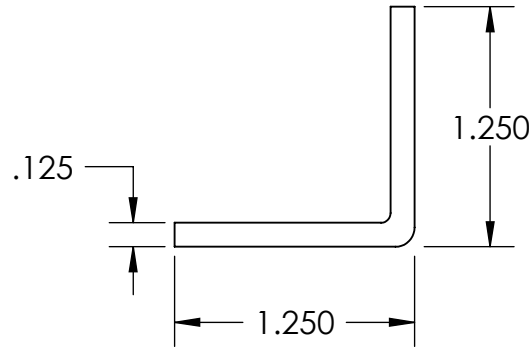
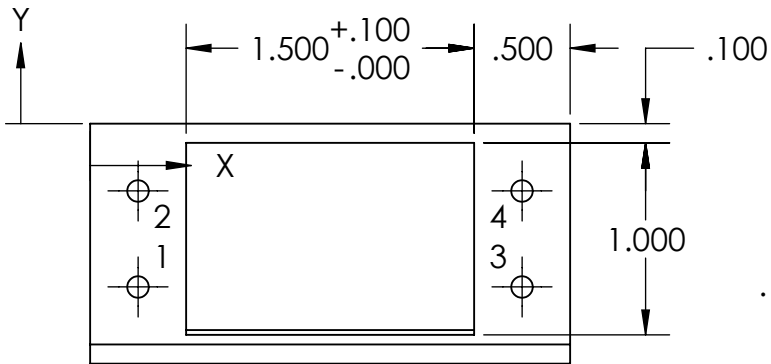


| TAG | X LOC | Y LOC | SIZE |
|-----|-------|-------|---|
| A1 | .250 | -.500 | Ø .2010 THRU ALL 1/4-20 UNC THRU ALL |
| A2 | 2.250 | -.500 | Ø .2010 THRU ALL 1/4-20 UNC THRU ALL |

| TAG | X LOC | Y LOC | SIZE |
|-----|-------|-------|---------------------------------------|
| 1 | .250 | -.850 | Ø .0890 THRU ALL 4-40 UNC THRU ALL |
| 2 | .250 | -.350 | Ø .0890 THRU ALL 4-40 UNC THRU ALL |
| 3 | 2.250 | -.850 | Ø .0890 THRU ALL 4-40 UNC THRU ALL |
| 4 | 2.250 | -.350 | Ø .0890 THRU ALL 4-40 UNC THRU ALL |



PROPRIETARY AND CONFIDENTIAL
 THE INFORMATION CONTAINED IN THIS DRAWING IS THE SOLE PROPERTY OF <INSERT COMPANY NAME HERE>. ANY REPRODUCTION IN PART OR AS A WHOLE WITHOUT THE WRITTEN PERMISSION OF <INSERT COMPANY NAME HERE> IS PROHIBITED.

| | | | | | | |
|-------------|---------|---|-----------|------------------------------------|------|--------------------------------------|
| | | UNLESS OTHERWISE SPECIFIED: | | NAME | DATE | TITLE: P11213 - Servo Bracket |
| | | DIMENSIONS ARE IN INCHES TOLERANCES: FRACTIONAL ± ANGULAR: MACH ± BEND ± TWO PLACE DECIMAL ± THREE PLACE DECIMAL ± | DRAWN | AJK | | |
| | | INTERPRET GEOMETRIC TOLERANCING PER: | CHECKED | DAR | | |
| | | MATERIAL | ENG APPR. | | | |
| NEXT ASSY | USED ON | FINISH | MFG APPR. | | | SIZE |
| APPLICATION | | DO NOT SCALE DRAWING | | COMMENTS: Made from angle steel | | DWG. NO. |
| | | | | | | REV |
| | | | | | | SCALE: 1:1 |
| | | | | | | WEIGHT: |
| | | | | | | SHEET 1 OF 1 |