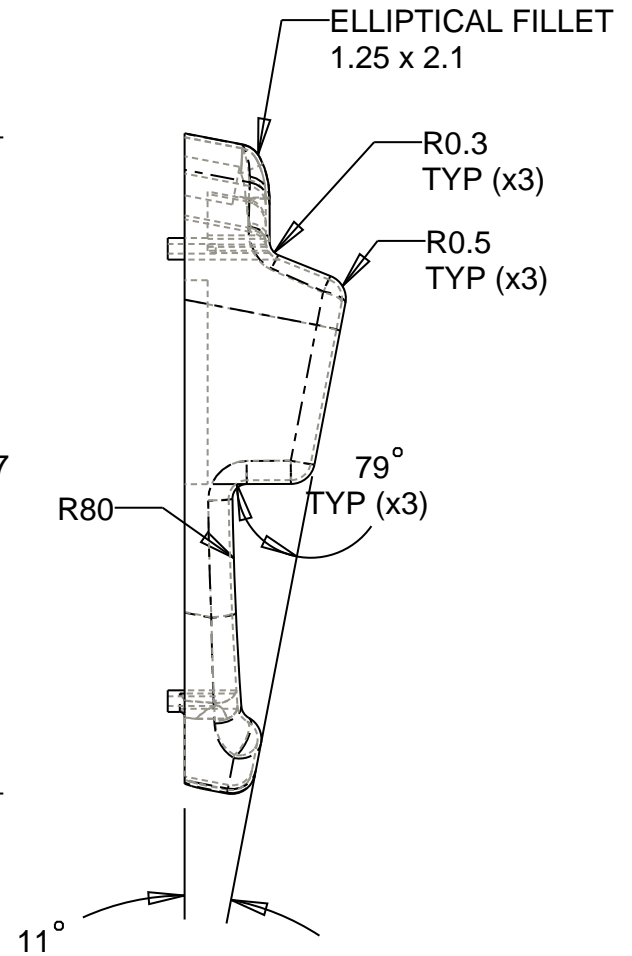
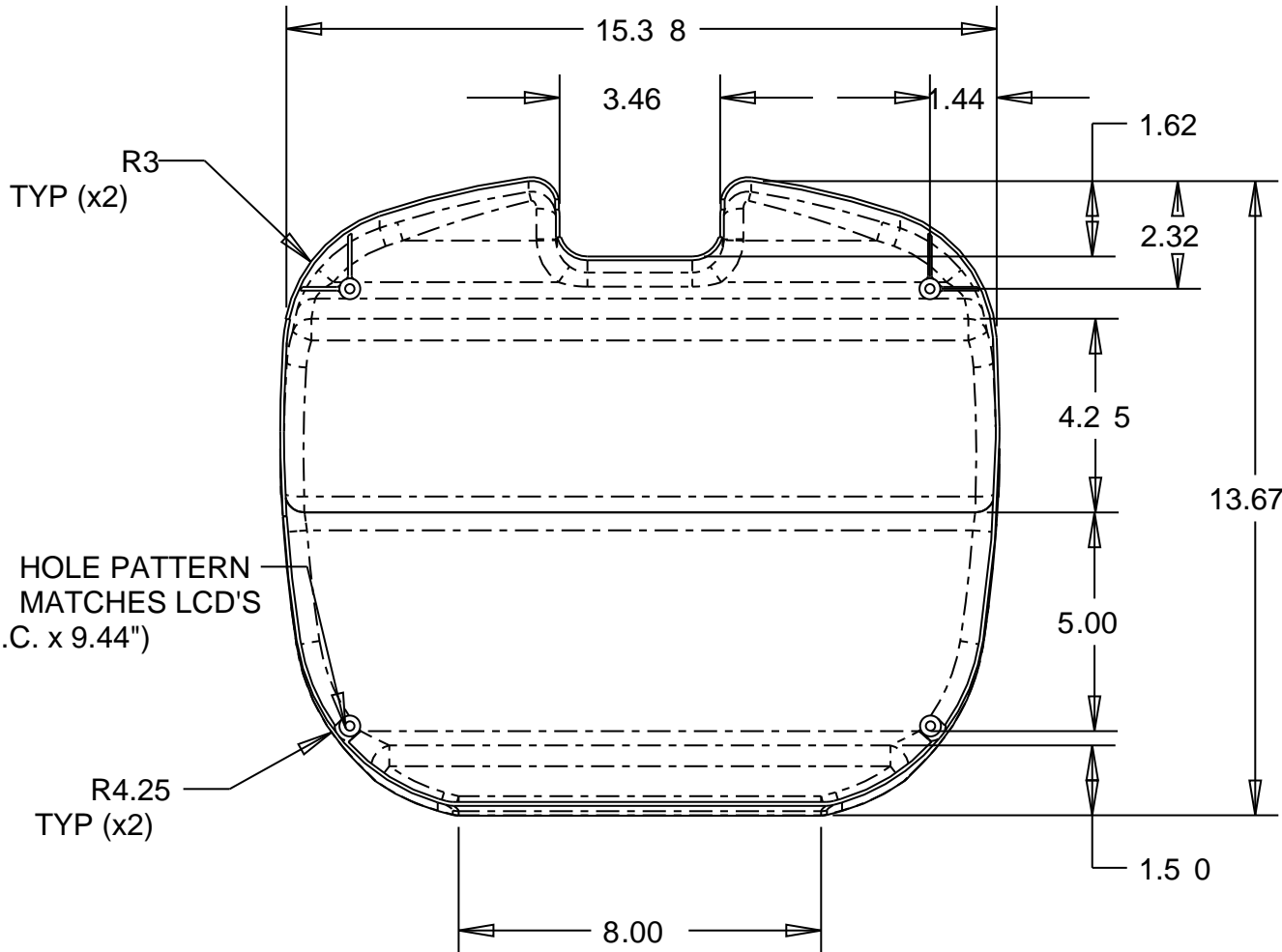
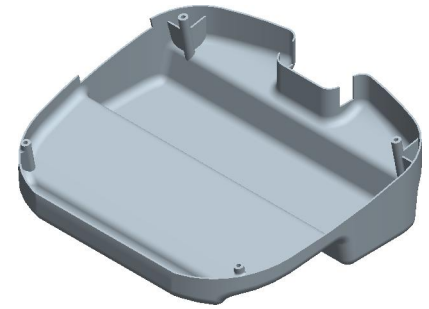


ISOMETRIC VIEW
SCALE 0.125



BOTTOM CASING
CONTROL DRAWING
SENIOR DESIGN 2
MAY 3, 2007
SCALE = 1:4

ALL FILLETS R0.3 UNLESS SPEC
WALL THICKNESS = 0.08