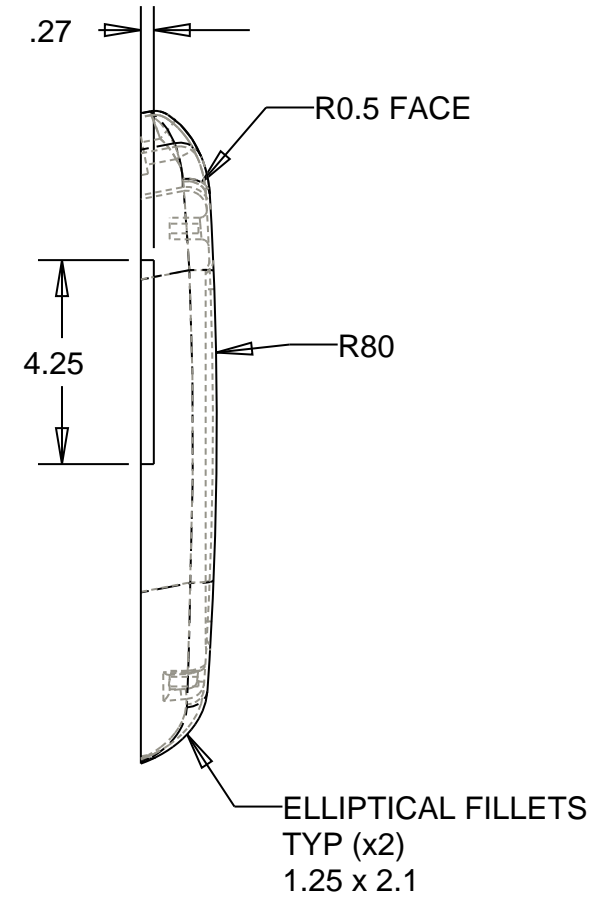
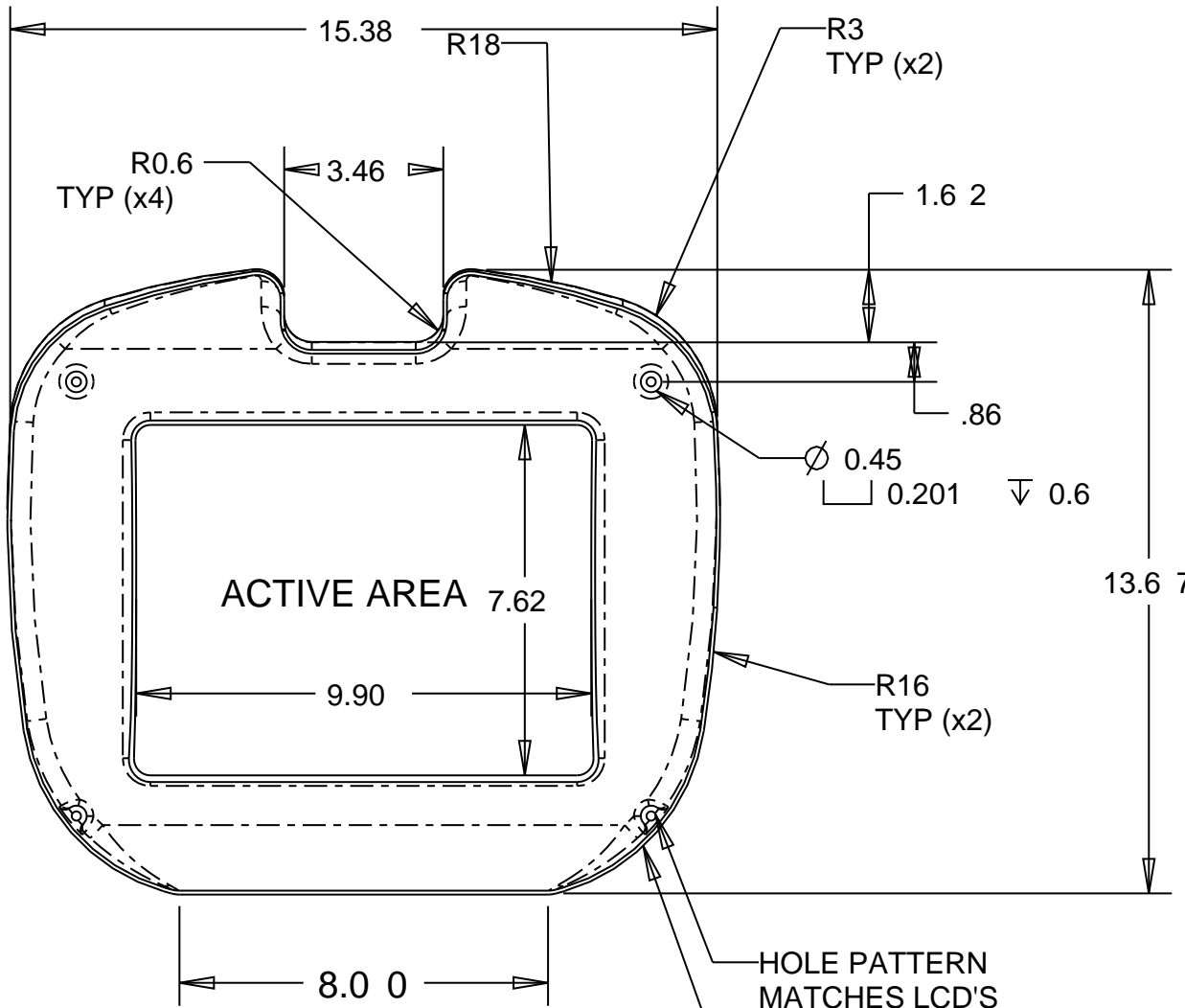
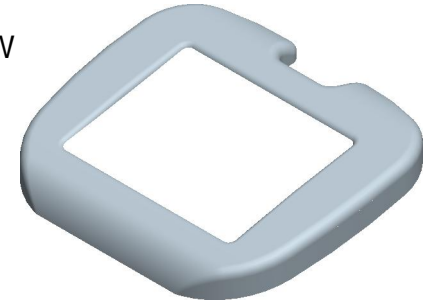


ISOMETRIC VIEW
SCALE 0.125



TOP CASING
CONTROL DRAWING
SENIOR DESIGN 2
MAY 3, 2007
SCALE = 1:4

ALL FILLETS R0.3 UNLESS SPEC
WALL THICKNESS = 0.08

HOLE PATTERN
MATCHES LCD'S
(12.5" O.C. x 9.44")

R4.25
TYP (x2)