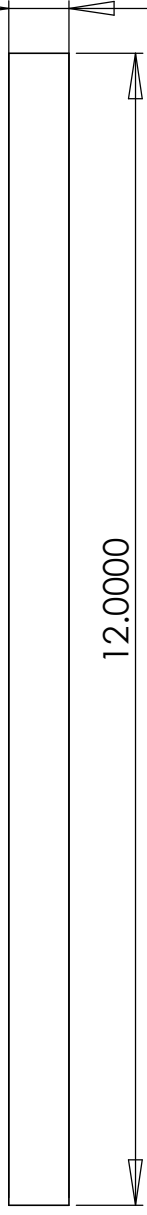
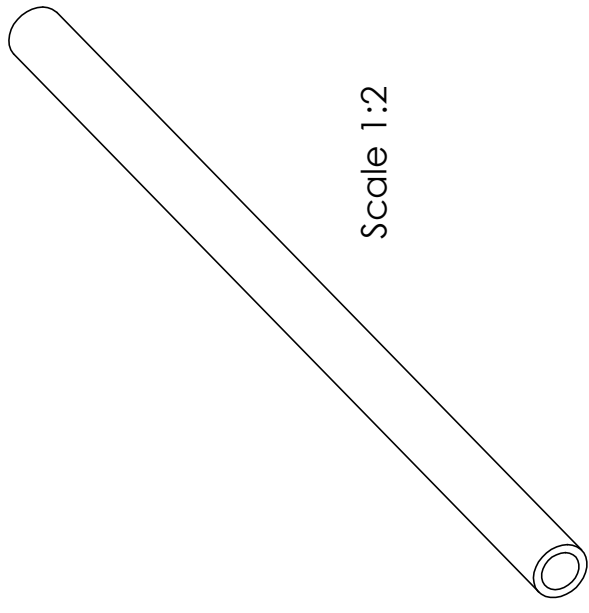


Scale 1:2



0.6250



Scale 1:2

PROPRIETARY AND CONFIDENTIAL
 THE INFORMATION CONTAINED IN THIS DRAWING IS THE SOLE PROPERTY OF <INSERT COMPANY NAME HERE>. ANY REPRODUCTION IN PART OR AS A WHOLE WITHOUT THE WRITTEN PERMISSION OF <INSERT COMPANY NAME HERE> IS PROHIBITED.

UNLESS OTHERWISE SPECIFIED:		DRAWN	NAME	DATE
DIMENSIONS ARE IN INCHES		CHECKED	TF	2-13-07
TOLERANCES:		ENG APPR.		
FRACTIONAL ±		MFG APPR.		
ANGULAR: MACH ± BEND ±		Q.A.		
TWO PLACE DECIMAL ±		COMMENTS:		
THREE PLACE DECIMAL ±				
INTERPRET GEOMETRIC TOLERANCING PER:				
MATERIAL PVC				
FINISH				
NEXT ASSY				
USED ON				
APPLICATION				
DO NOT SCALE DRAWING				

TITLE:

7/16" ID Tubing

SIZE DWG. NO. REV
A .4375ID REV

SCALE: 2:1 WEIGHT: SHEET 1 OF 1