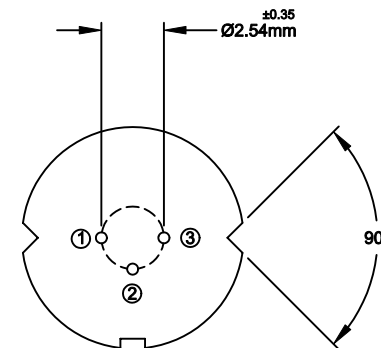
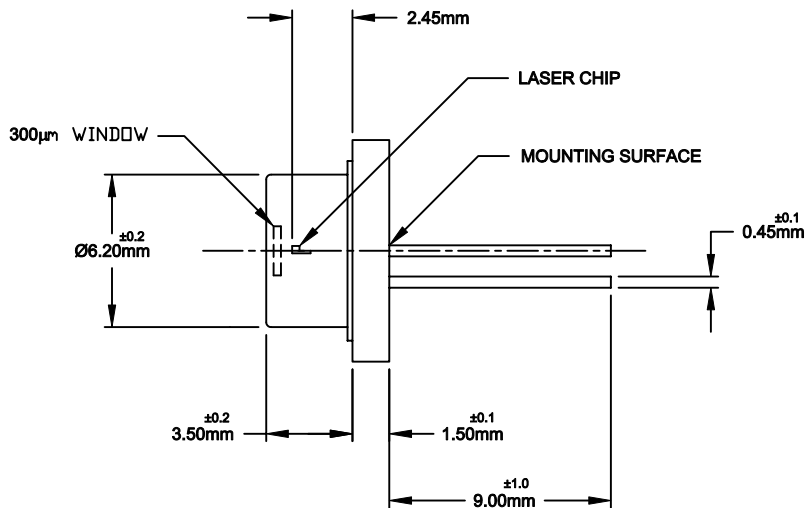
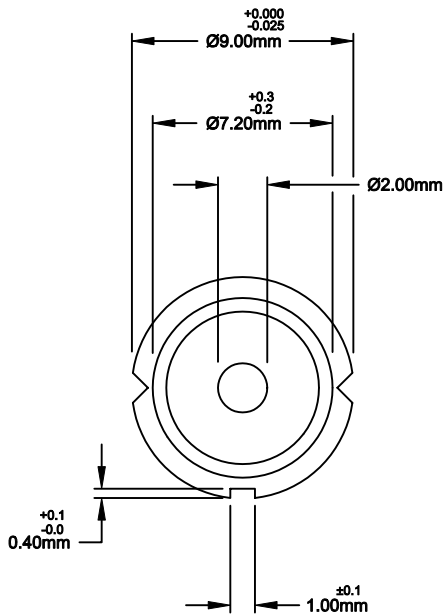
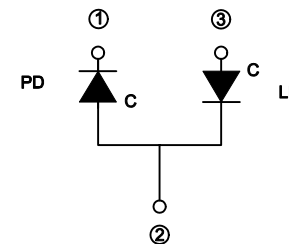


COPYRIGHT © 1998 by THORLABS INC.

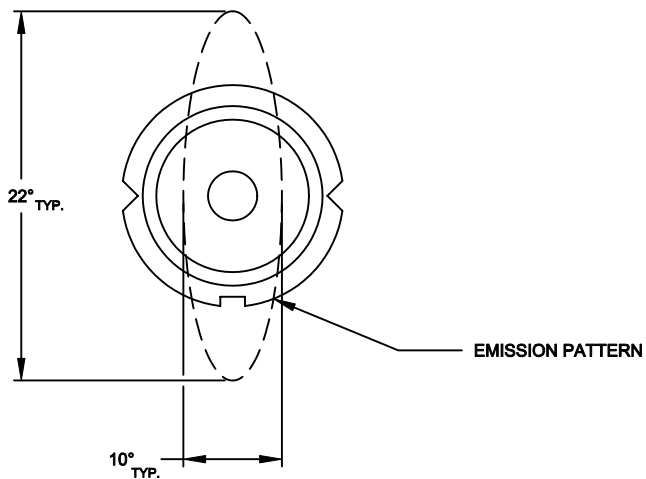


HL8325G
830nm/40mW



INTERNAL CIRCUIT

STYLE C



VIEW-A

INFORMATION ONLY, NOT FOR MANUFACTURING

SCALE: 2X

THORLABS		PO BOX 366 NEWTON NJ	
TITLE HITACHI 9mm LASER DIODE			
TOL: X.XXX \pm ±-0.005 X.XX \pm ±-0.010 ANGULAR \pm -30°			
SURF. FINISH: 32 MICRONS UNLESS OTHERWISE NOTED			
DRAWN GM	ENGINEER AC	APPROVED AC	
MATERIAL			
DATE 08/05/98	REV A	SIZE B	SHEET 1 OF 1
DWG NO. 2307-EOW		PART NO. HL8325G	
WHERE USED WEB		MECHANICAL DRAWING	