

Digital Board

Sheet 2 - Controller
Sheet 3 - System Bus
Sheet 4 - Sensors 1
Sheet 5 - Sensors 2
Sheet 6 - System MUXs
Sheet 7 - Connectors 1
Sheet 8 - Connectors 2
Sheet 9 - Camera Board
Sheet 10 - Temperature Boards

▽ Do Not Place:

R4, R10, R12 - Sheet 4
R14 - Sheet 7
C15, C16 - Sheet 7

Project Meteor PicoSAT

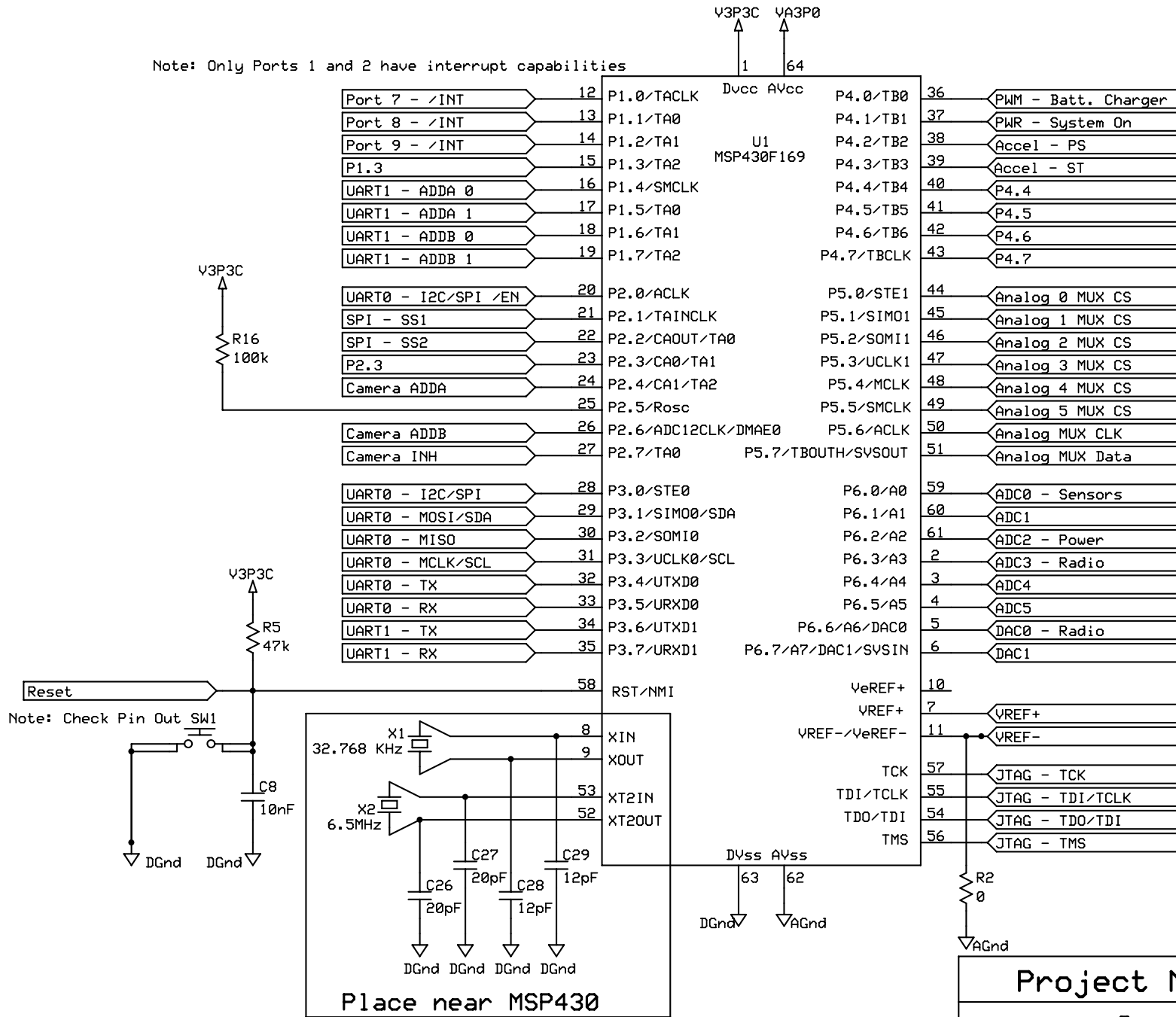
Cover Sheet

Derek Mantey
Ben Grefe

Rev 1.1.1
11/3/2006

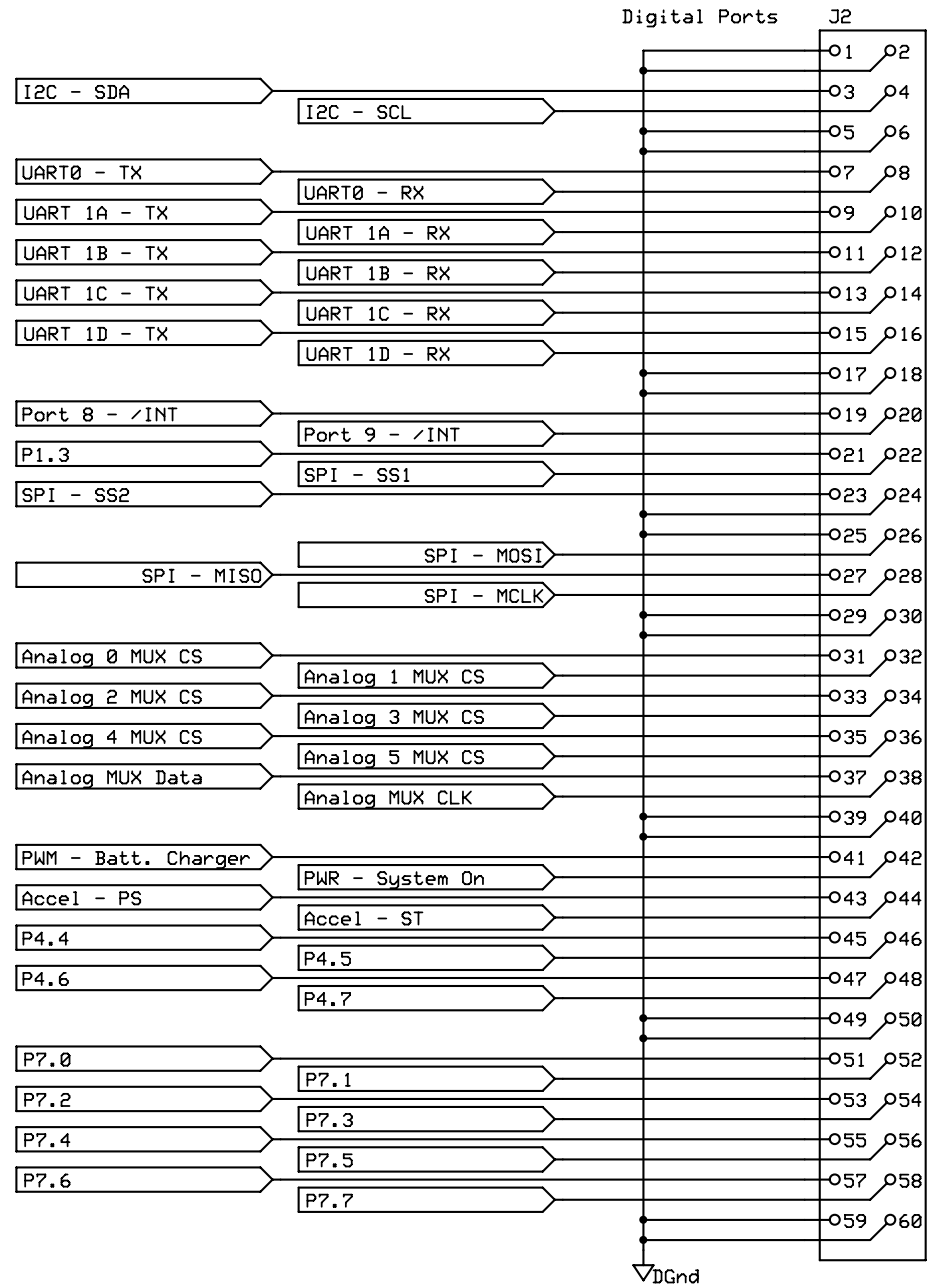
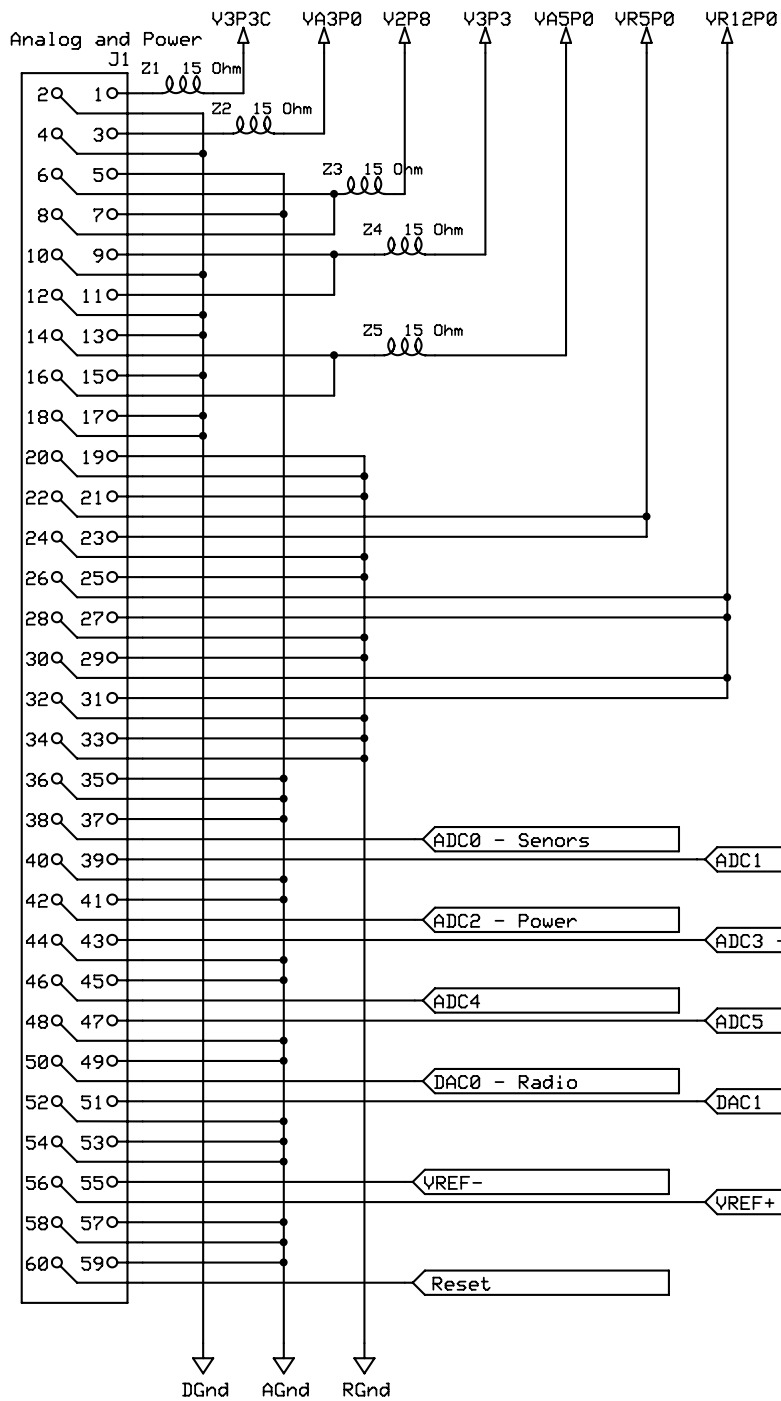
Page #1 of 8

Note: Only Ports 1 and 2 have interrupt capabilities



Note: VREF are outputs
VeREF are inputs

Project Meteor PicoSAT		
Controller		
Derek Mantey Ben Grefe	Rev 1.1.1 11/3/2006	Page #2 of 8



Project Meteor PicoSAT

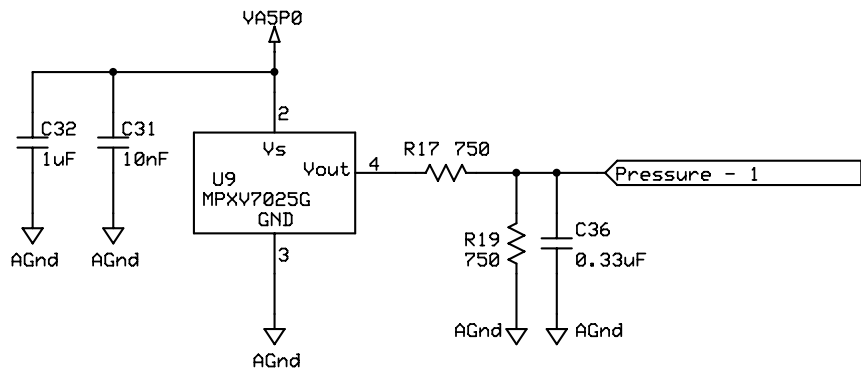
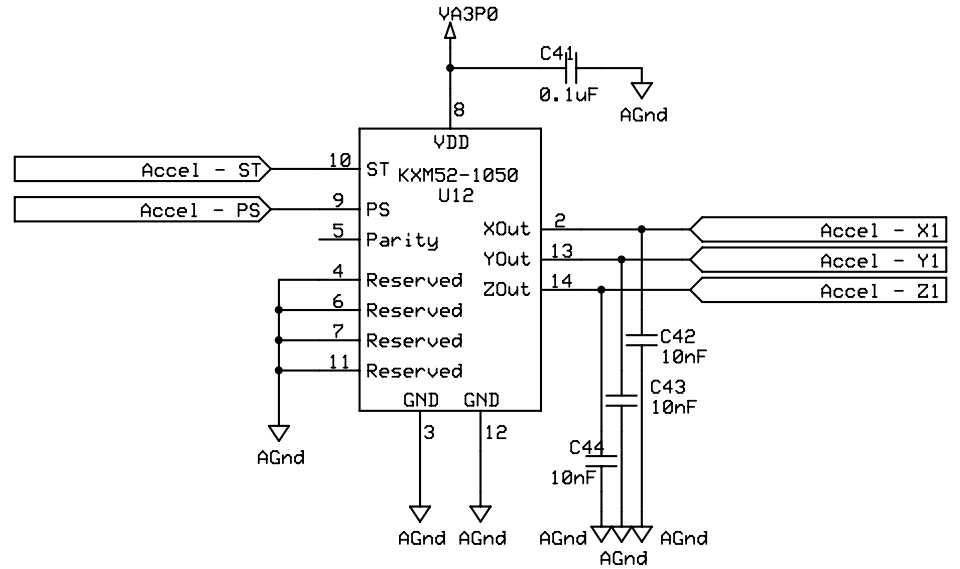
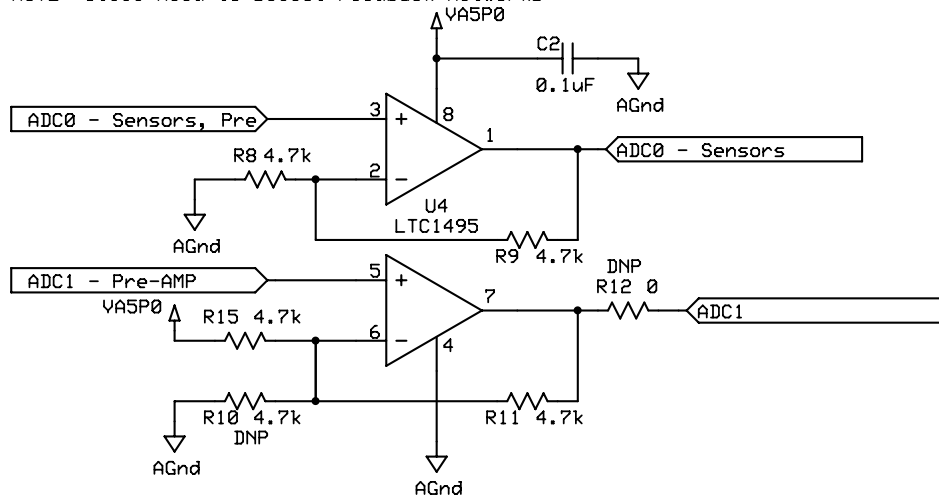
System Bus

Derek Mantey
Ben Grefe

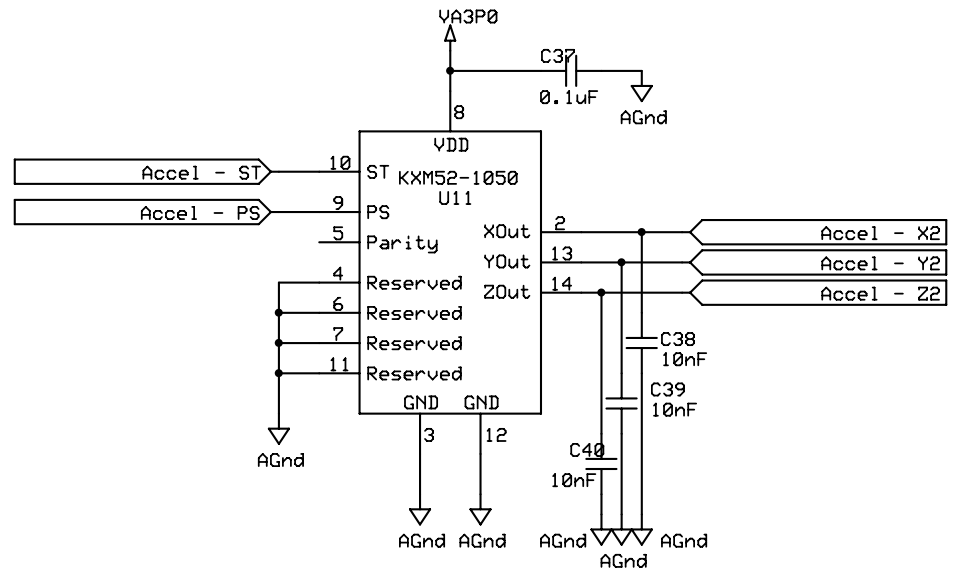
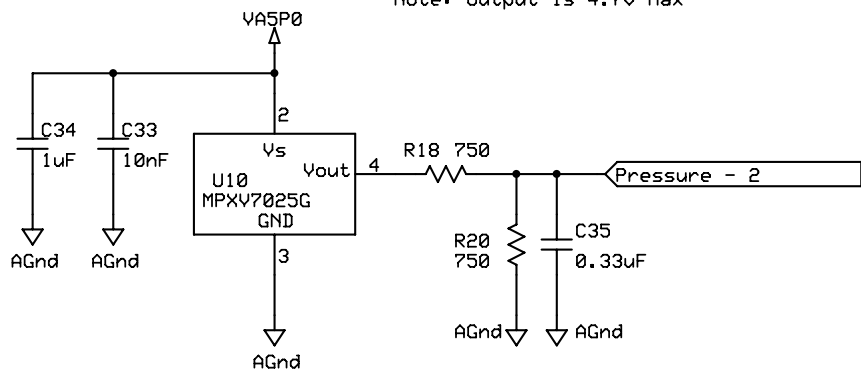
Rev 1.1.1
11/3/2006

Page #3 of 8

Unused amps should be tied to output low
 IN- set to V+, IN+ set to V-
 NOTE: Still need to select Feedback Networks



Note: Output is 4.7v Max



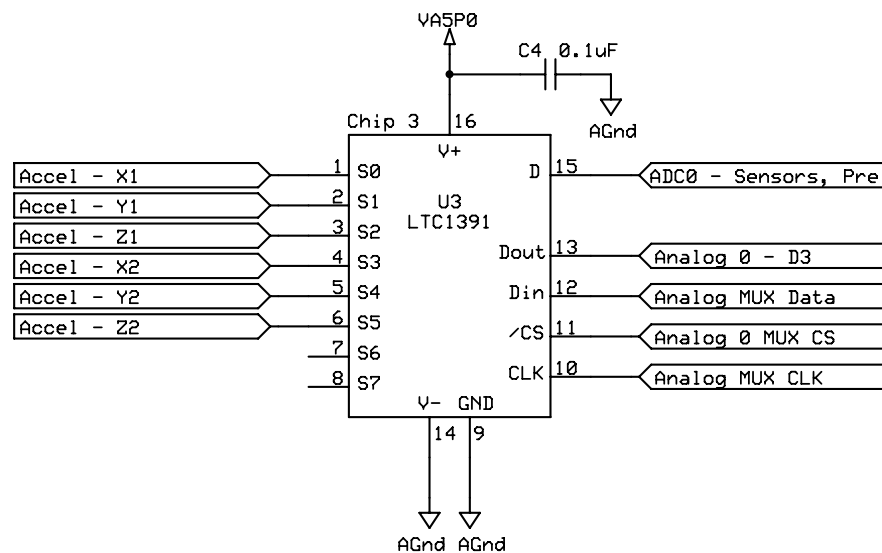
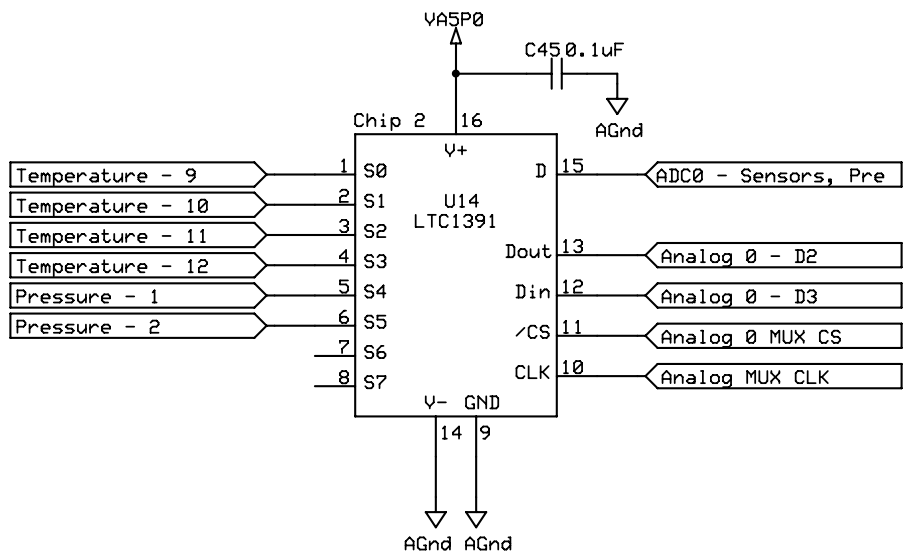
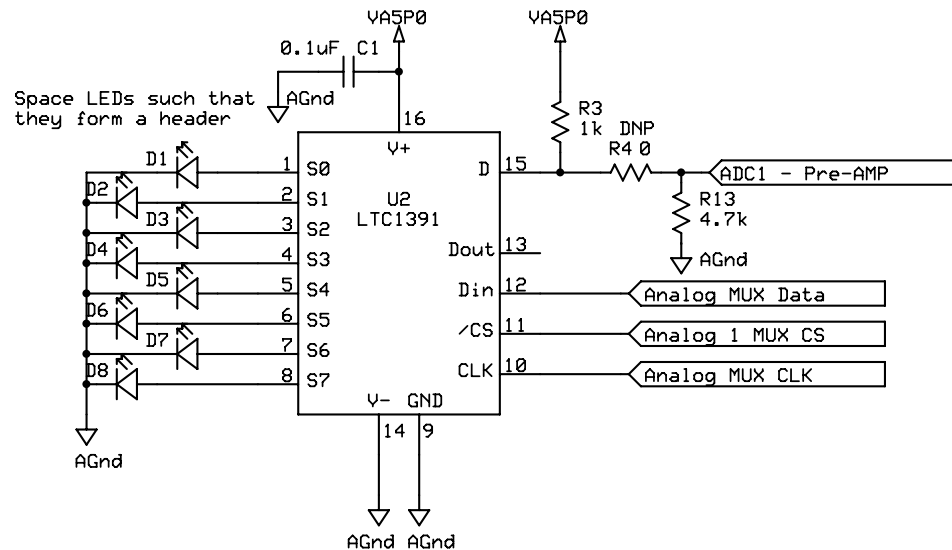
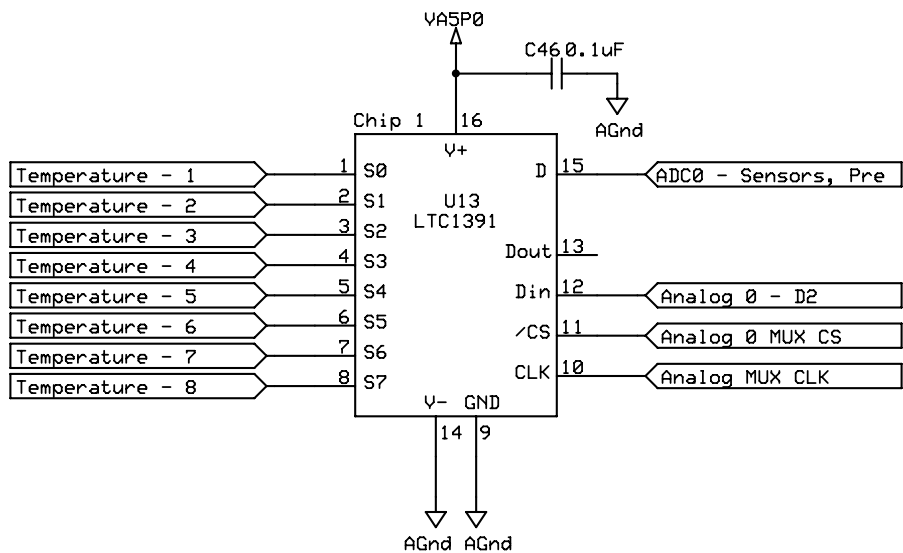
Project Meteor PicoSAT

Sensors 1

Derek Mantey
Ben Grefe

Rev 1.1.1
11/3/2006

Page #4 of 8



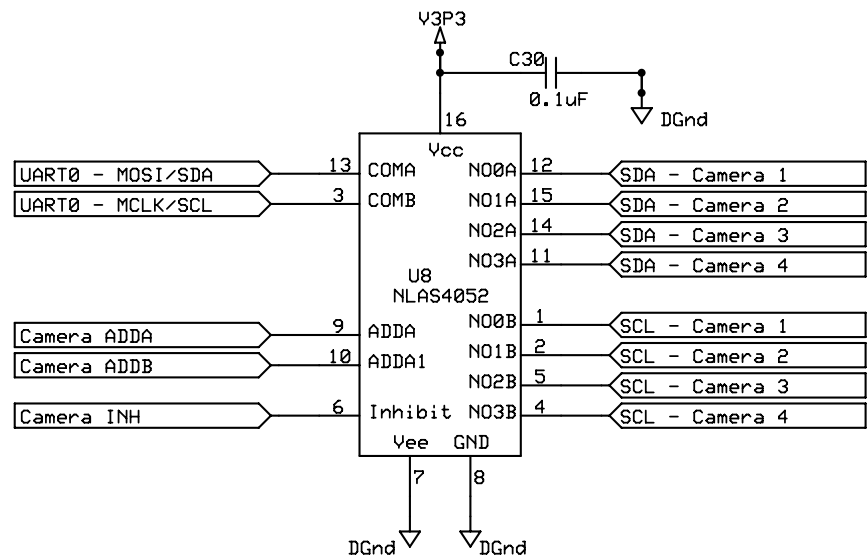
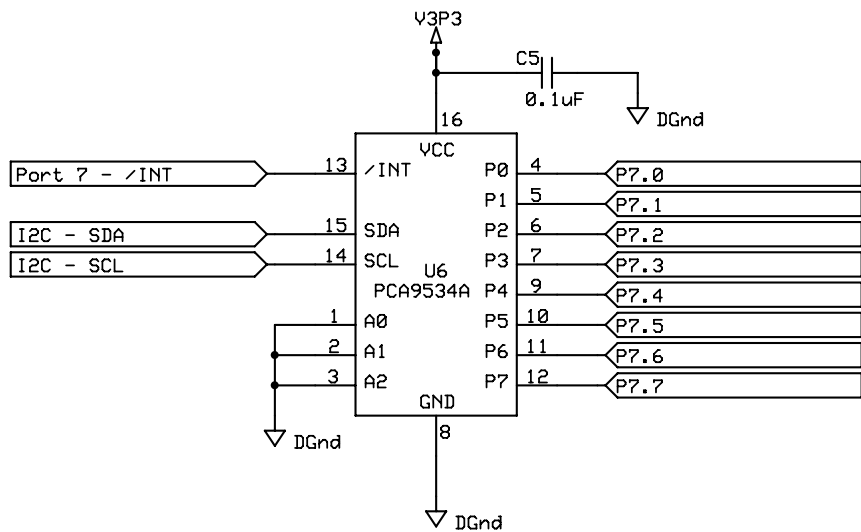
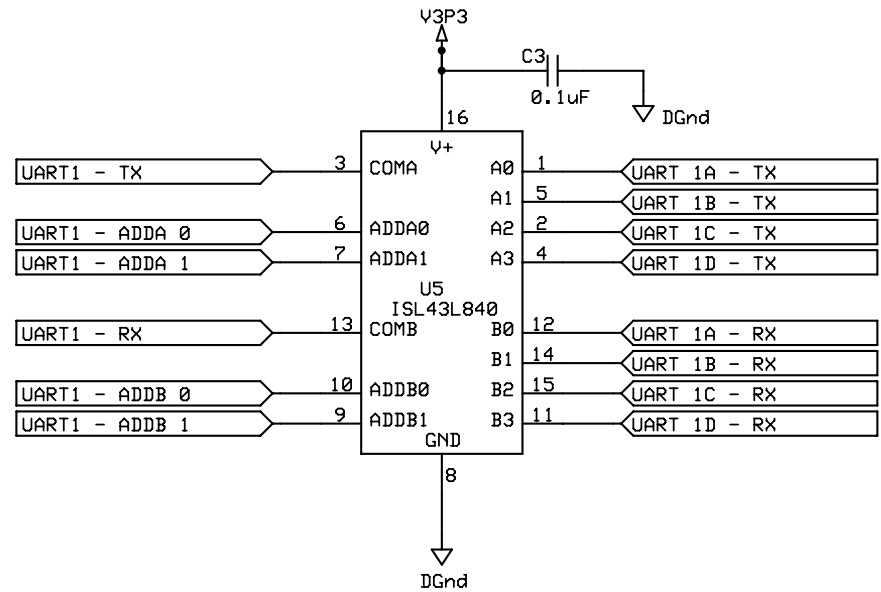
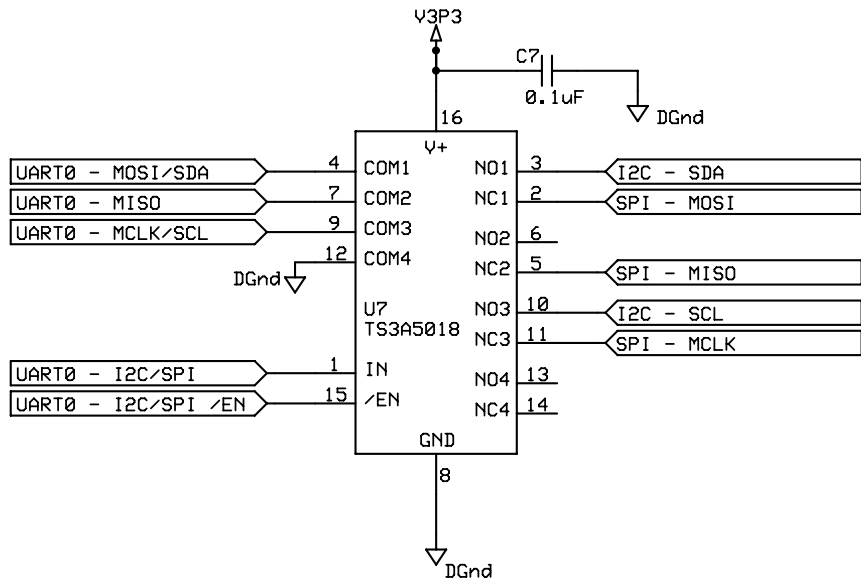
Project Meteor PicoSAT

Sensors 2

Derek Mantey
Ben Grefe

Rev 1.1.1
11/3/2006

Page #5 of 8



Project Meteor PicoSAT

System MUXs

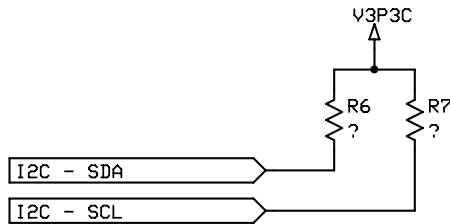
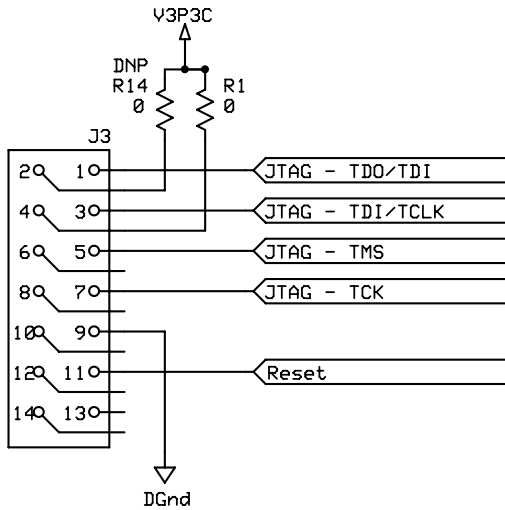
Derek Mantey
Ben Grefe

Rev 1.1.1
11/3/2006

Page #6 of 8

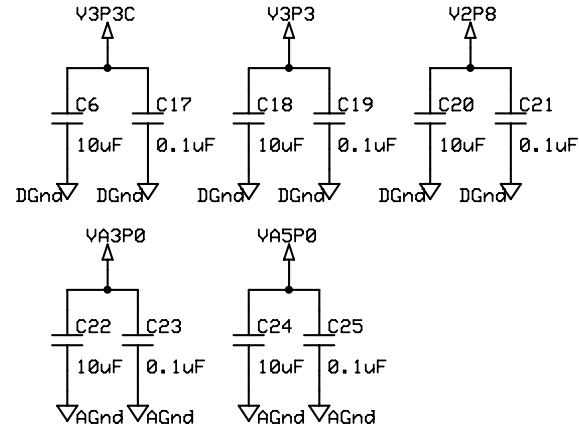
Place R1 as a 0 Ohm Jumper to power board from JTAG
 Place R2 as a 0 Ohm Jumper when powering board from system Bus

- JTAG
- 1 - TDO
 - 2 - VCC supply
 - 3 - TDI
 - 4 - VCC sense
 - 5 - TMS
 - 7 - TCK
 - 8 - TEST
 - 9 - GND
 - 11 - Reset

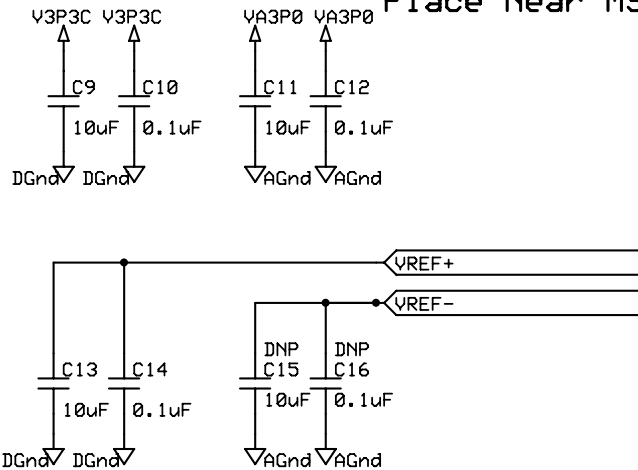


To Add:
 Camera Connectors

Place Near Ferrite



Place Near MSP430



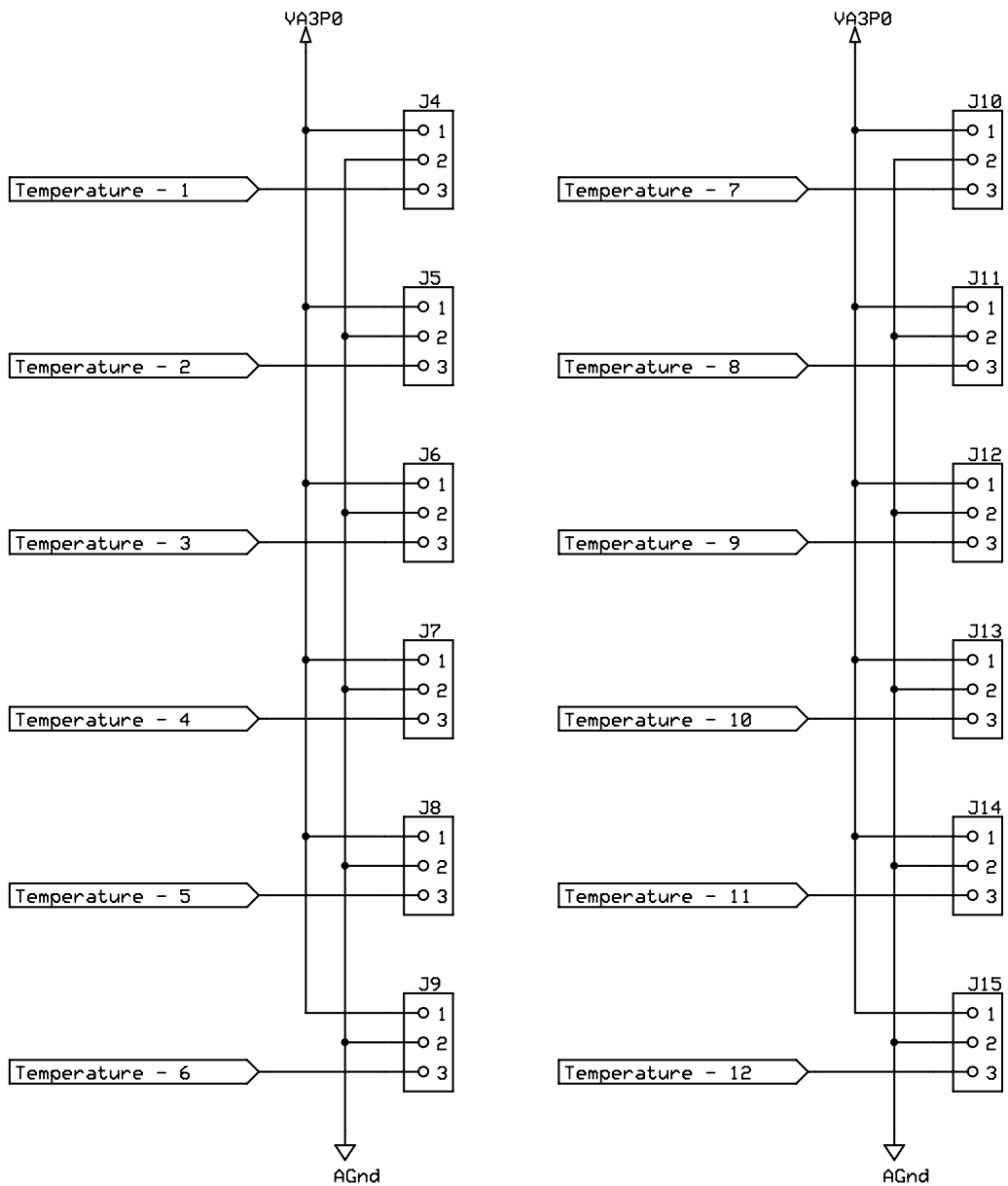
Project Meteor PicoSAT

Connectors 1

Derek Mantey
 Ben Grefe

Rev 1.1.1
 11/3/2006

Page #7 of 8



Project Meteor PicoSAT		
Connectors 2		
Derek Mantey Ben Grefe	Rev 1.1.1 11/3/2006	Page #8 of 8