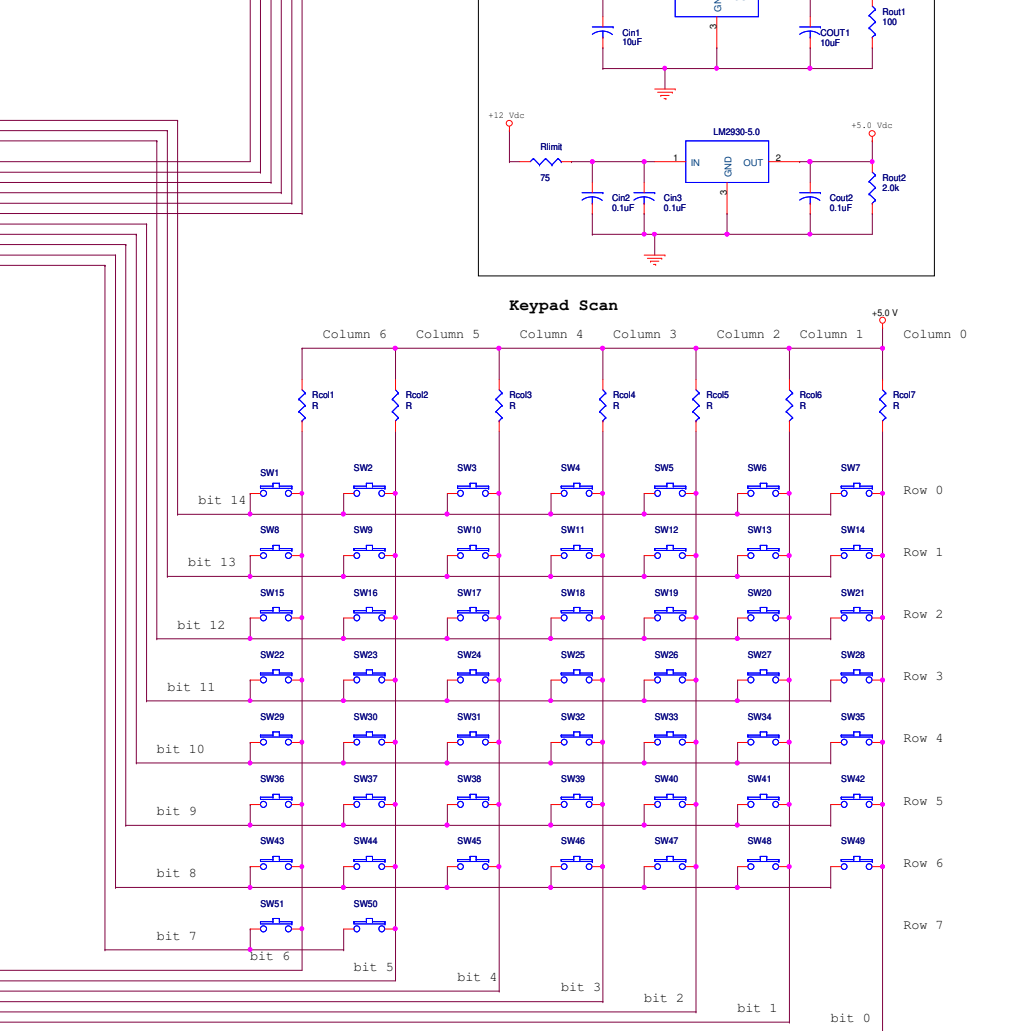
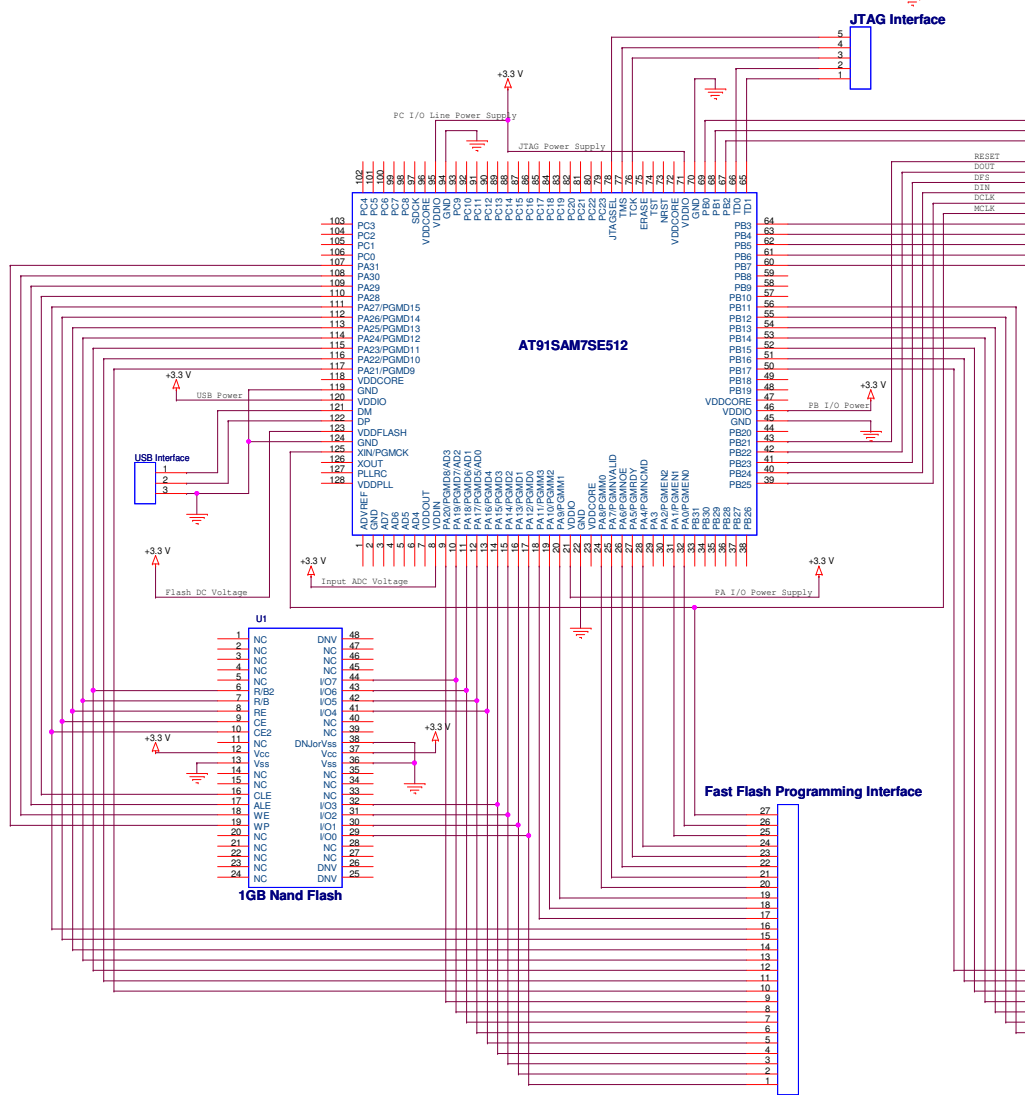
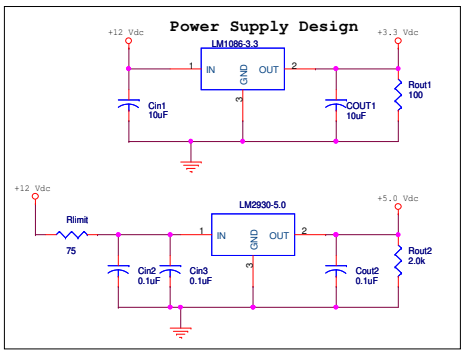
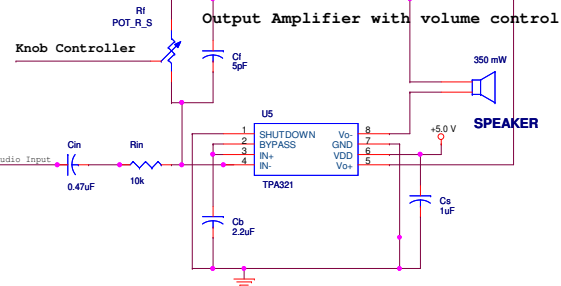
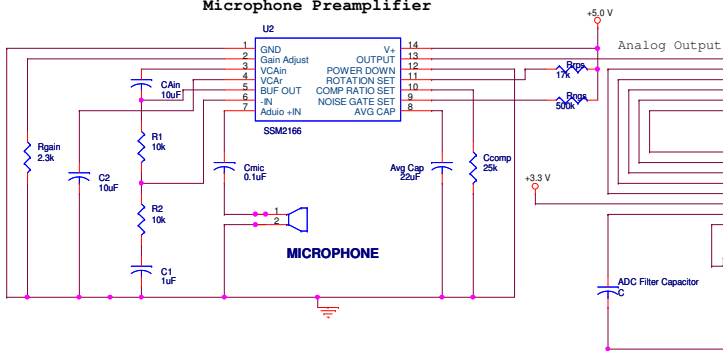


Microphone Preamplifier



Fast Flash Programming Interface

Title			Audio Memo Board Electrical Schematic Layout		
Size	Document Number	Rev			
C	1.0	1.0			
Date:	Friday, March 23, 2007	Sheet	1	of 1	