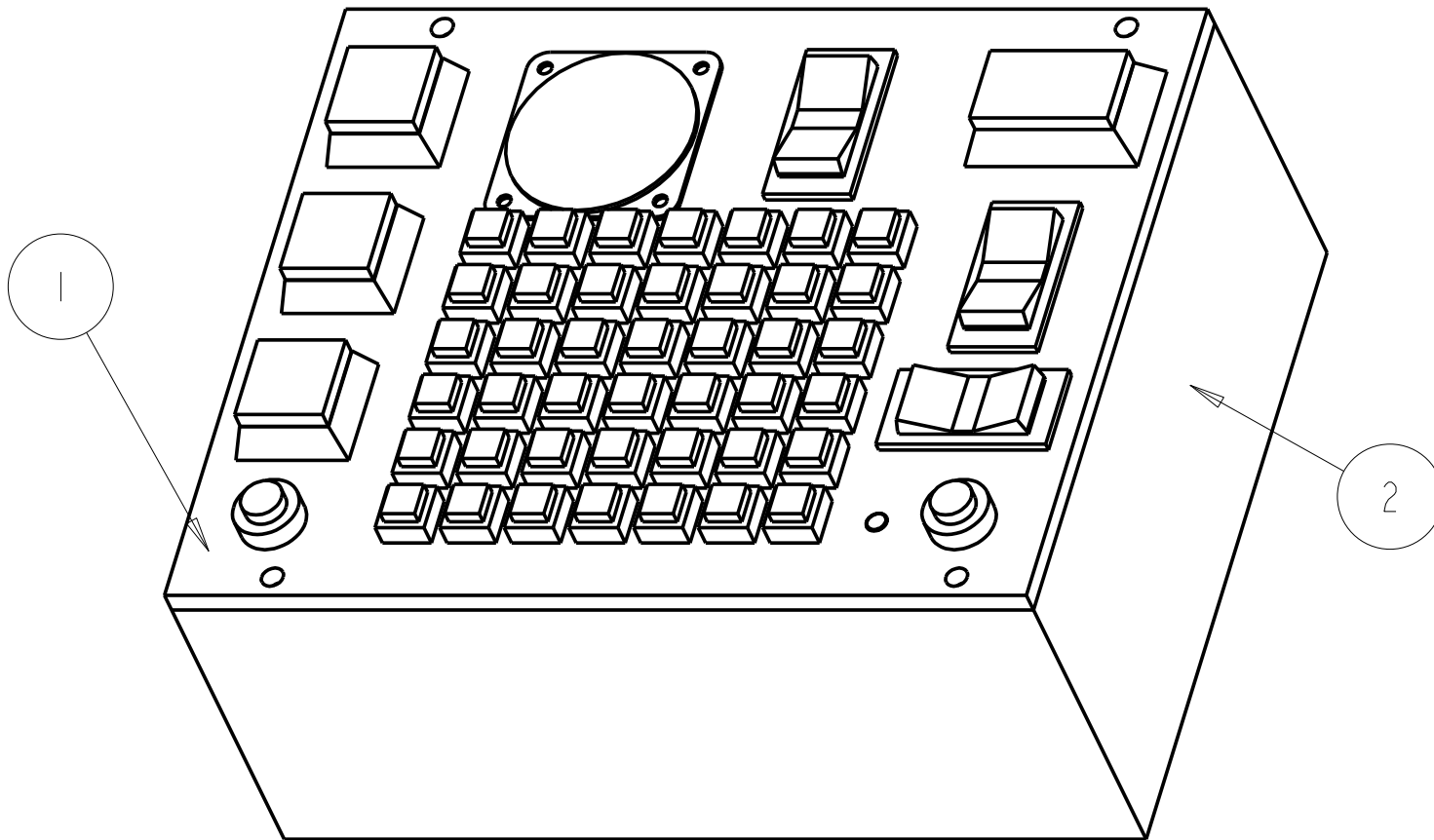


BILL OF MATERIALS

ITEM	PART NAME	QTY
1	COVER_ASSEMBLY	1
2	ENCLOSURE_ASSEMBLY	1



DRAWN BY: JOEL FORMAN

DATE: 2/8/07

REQ'D: 1

SCALE: 0.5

PART NAME: FULL ASSEMBLY

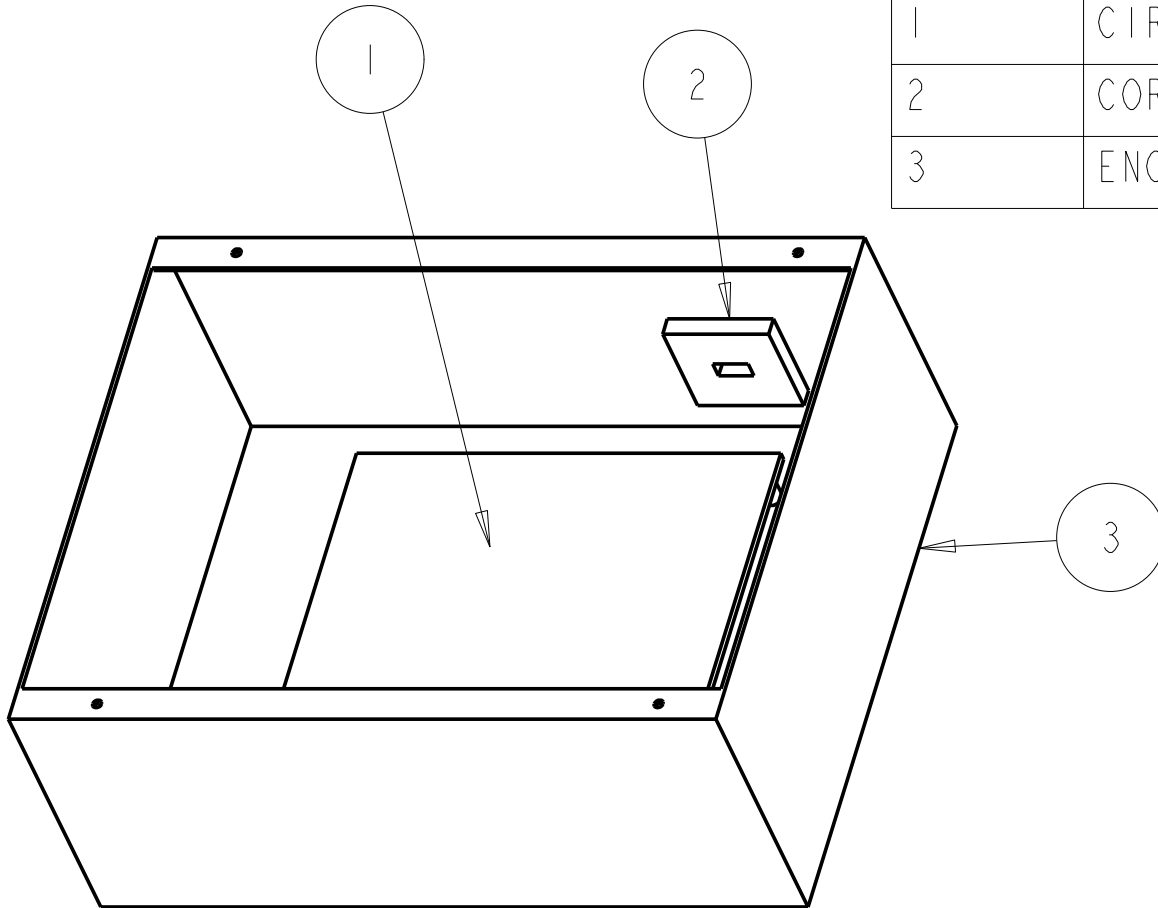
PART #:

MAT:

SHEET: 1 / 11

BILL OF MATERIALS

ITEM	PART NAME	QTY
1	CIRCUIT_BOARD	1
2	CORD HOLDER	1
3	ENCLOSURE	1



DRAWN BY: JOEL FORMAN

DATE: 2/8/07

REQ'D: 1

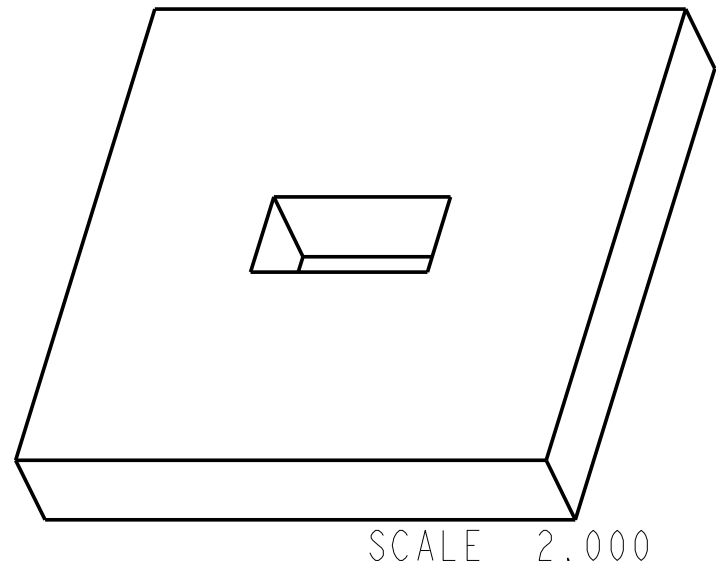
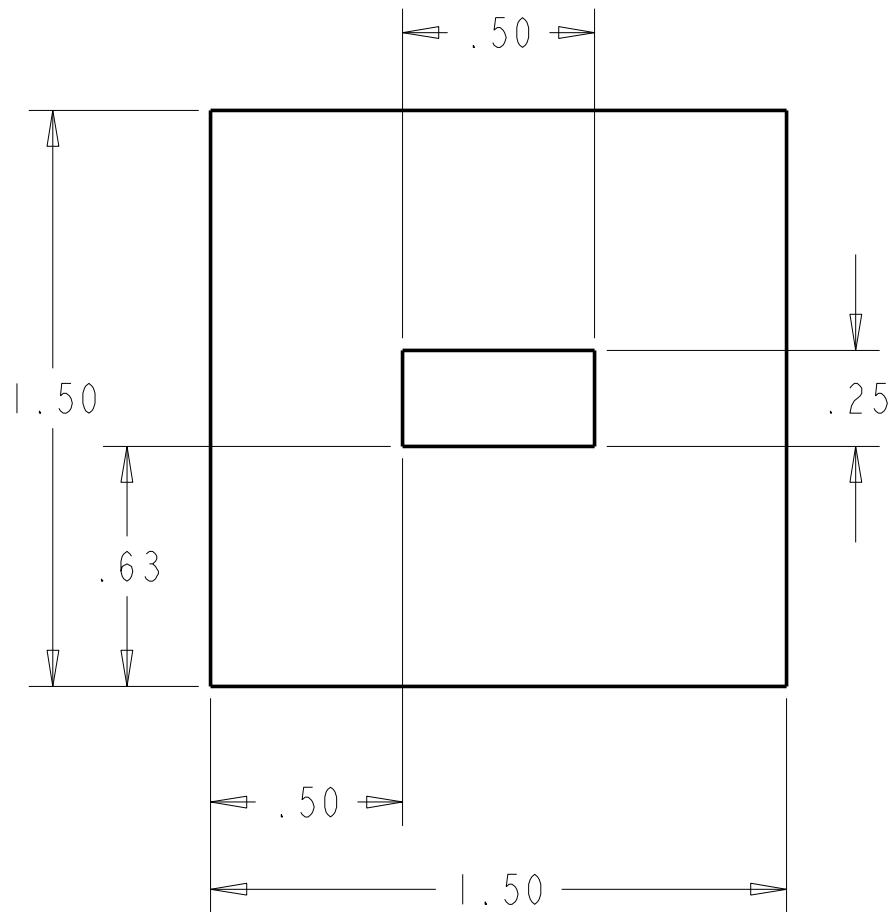
SCALE: 0.4

PART NAME: ENCLOSURE ASSEMBLY

PART #:

MAT:

SHEET: 2 / 11



DRAWN BY: JOEL FORMAN

DATE: 2/8/07

REQ'D: 1

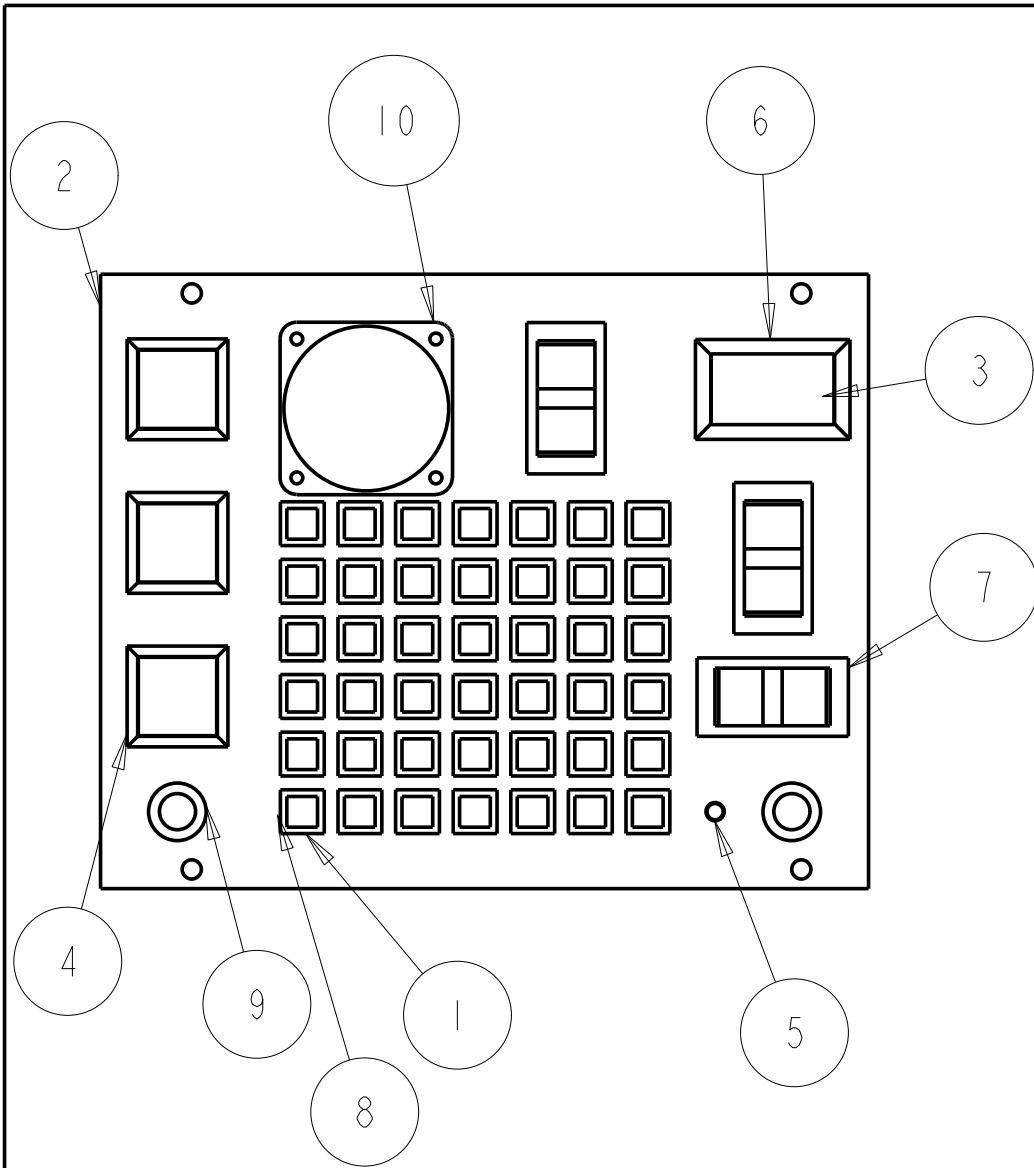
SCALE: 2.0

PART NAME: CORD HOLDER

PART #:

MAT: ABS

SHEET: 3 / 11



BILL OF MATERIALS		
ITEM	PART NAME	QTY
1	CALENDAR_BUTTON	42
2	COVER	1
3	LARGE_NUT	4
4	LARGE_SQUARE_BUTTON	3
5	MICROPHONE	1
6	POWER_BUTTON	1
7	ROCKER_SWITCH	3
8	SMALL_BUTTON_NUT	44
9	SMALL_ROUND_BUTTON	2
10	SPEAKER	1

DRAWN BY: JOEL FORMAN

DATE: 2/8/07

REQ'D: 1

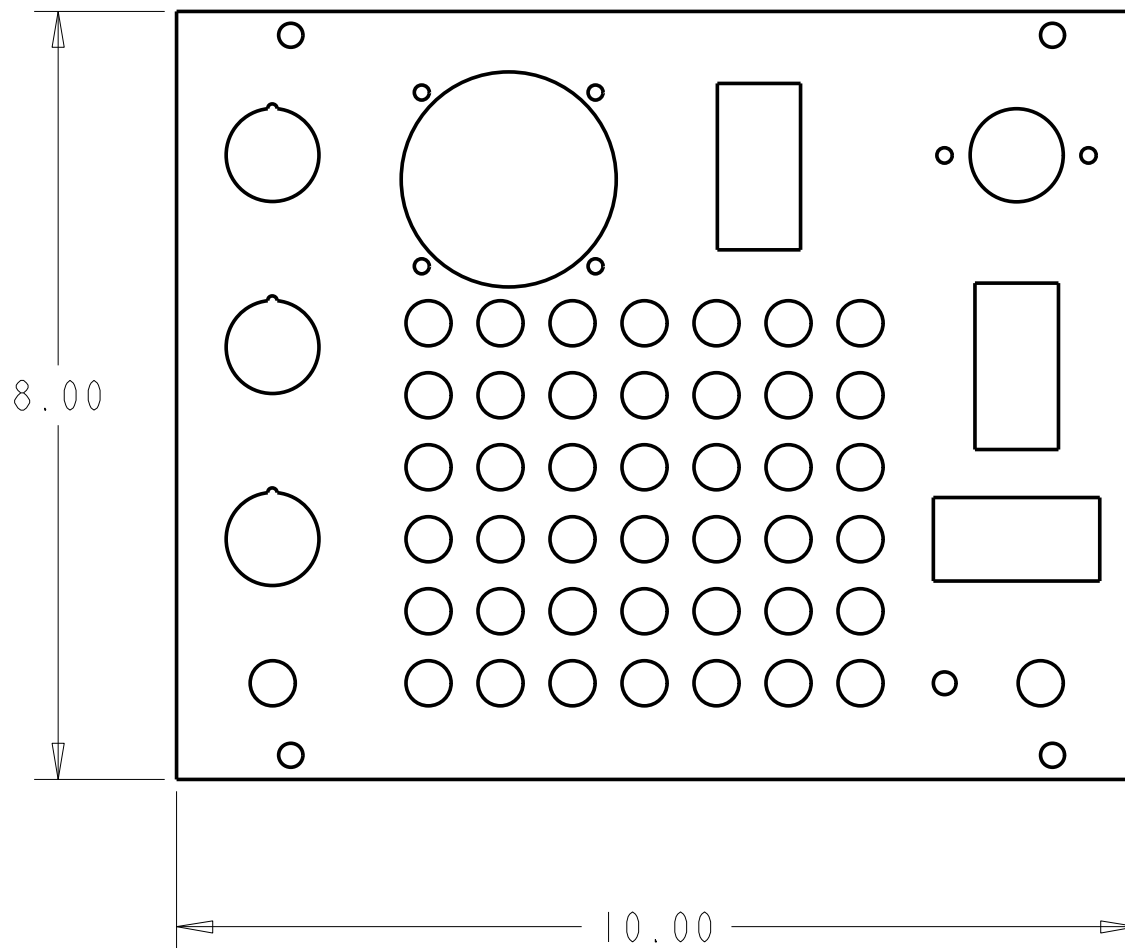
SCALE: 0.4

PART NAME: COVER ASSEMBLY

PART #:

MAT:

SHEET: 4 / 11



DRAWN BY: JOEL FORMAN

DATE: 2/8/07

REQ'D: 1

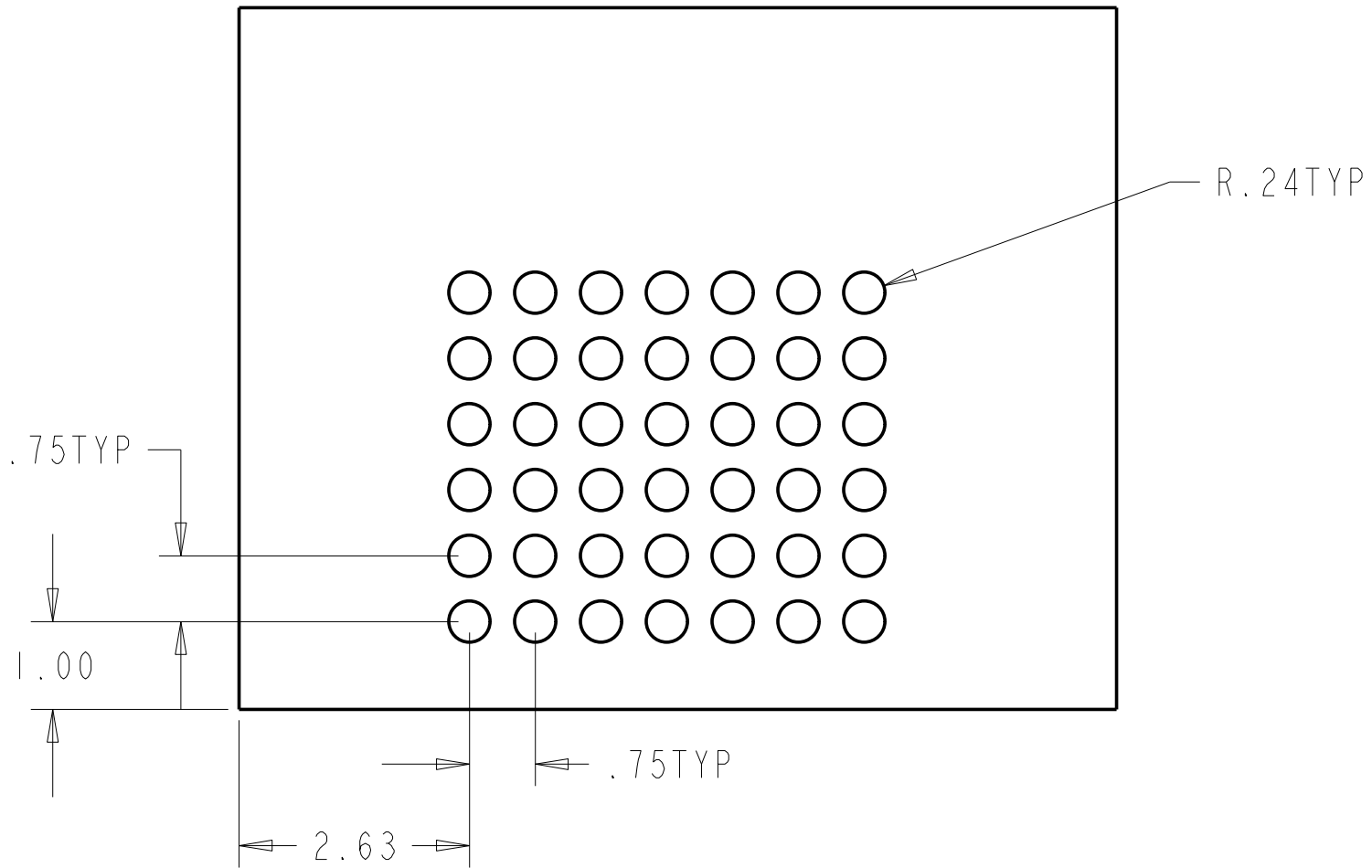
SCALE:

PART NAME: COVER

PART #:

MAT: ABS

SHEET: 5 / 11



DRAWN BY: JOEL FORMAN

DATE: 2/8/07

REQ'D: 1

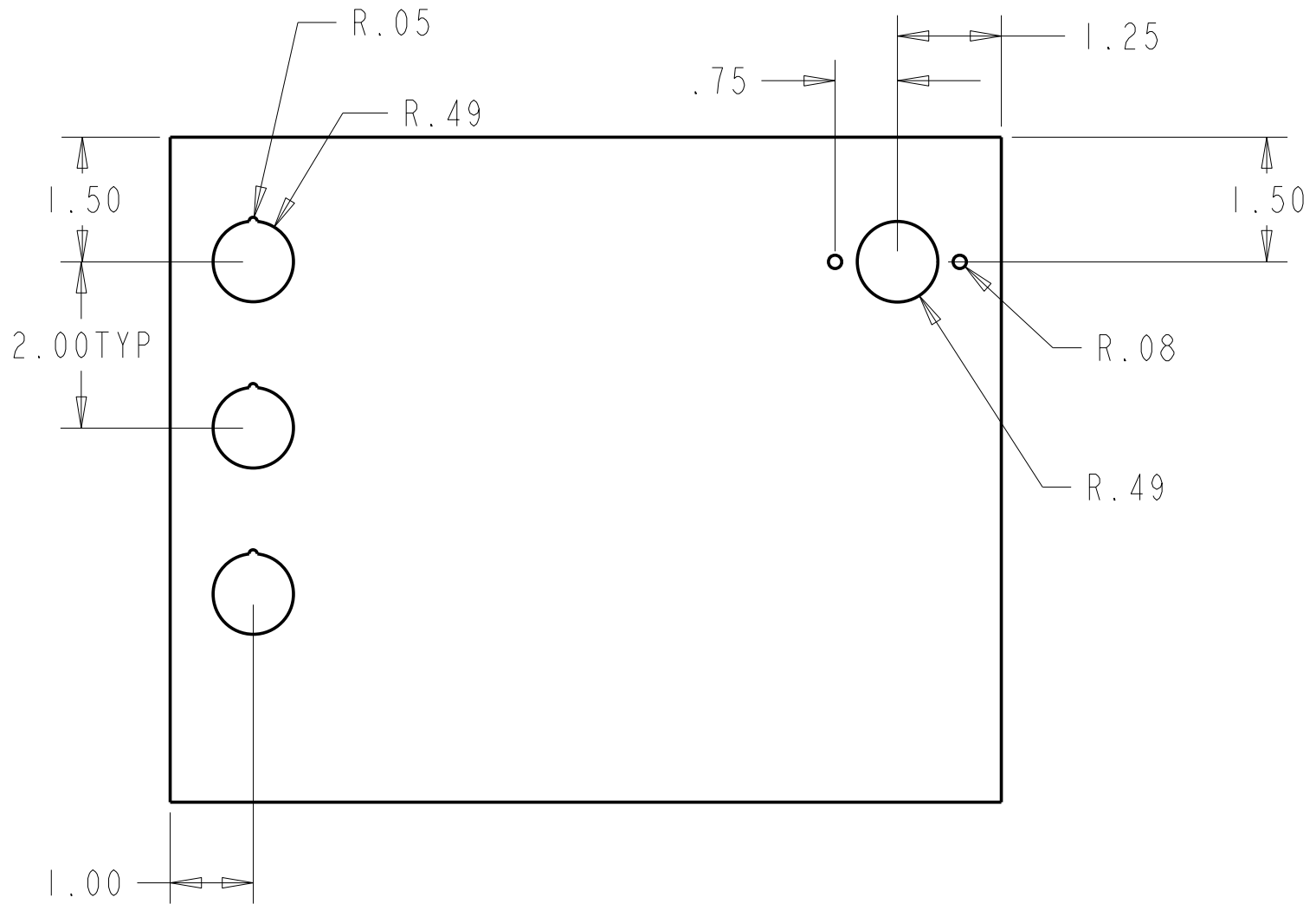
SCALE: 0.5

PART NAME: CALENDAR PATTERN

PART #:

MAT:

SHEET: 6 / 11



DRAWN BY: JOEL FORMAN

DATE: 2/8/07

REQ'D: 1

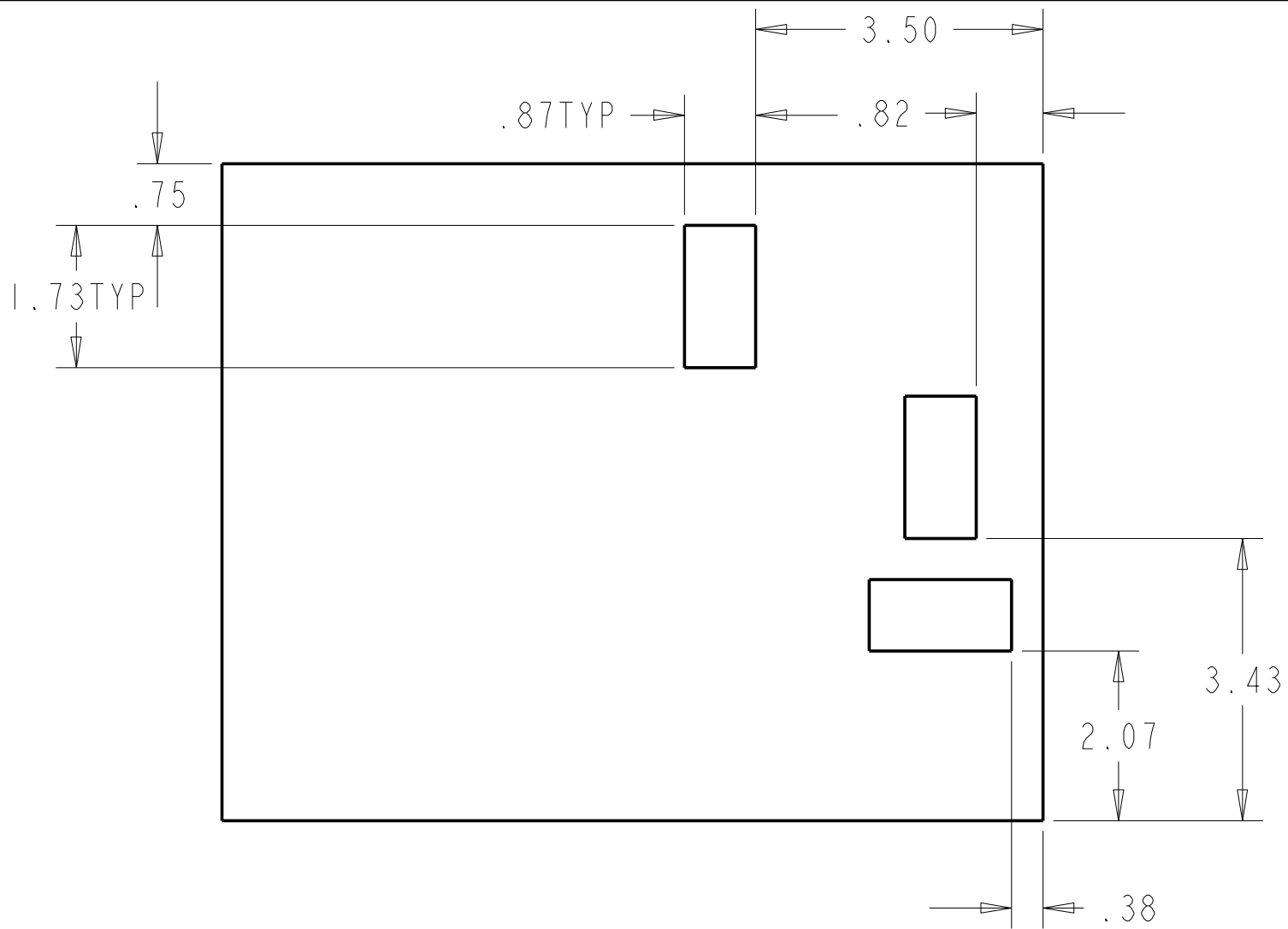
SCALE: 0.5

PART NAME: LARGE PATTERN

PART #:

MAT:

SHEET: 7 / 11



DRAWN BY: JOEL FORMAN

DATE: 2/8/07

REQ'D: 1

SCALE: 0.5

PART NAME: ROCKER PATTERN

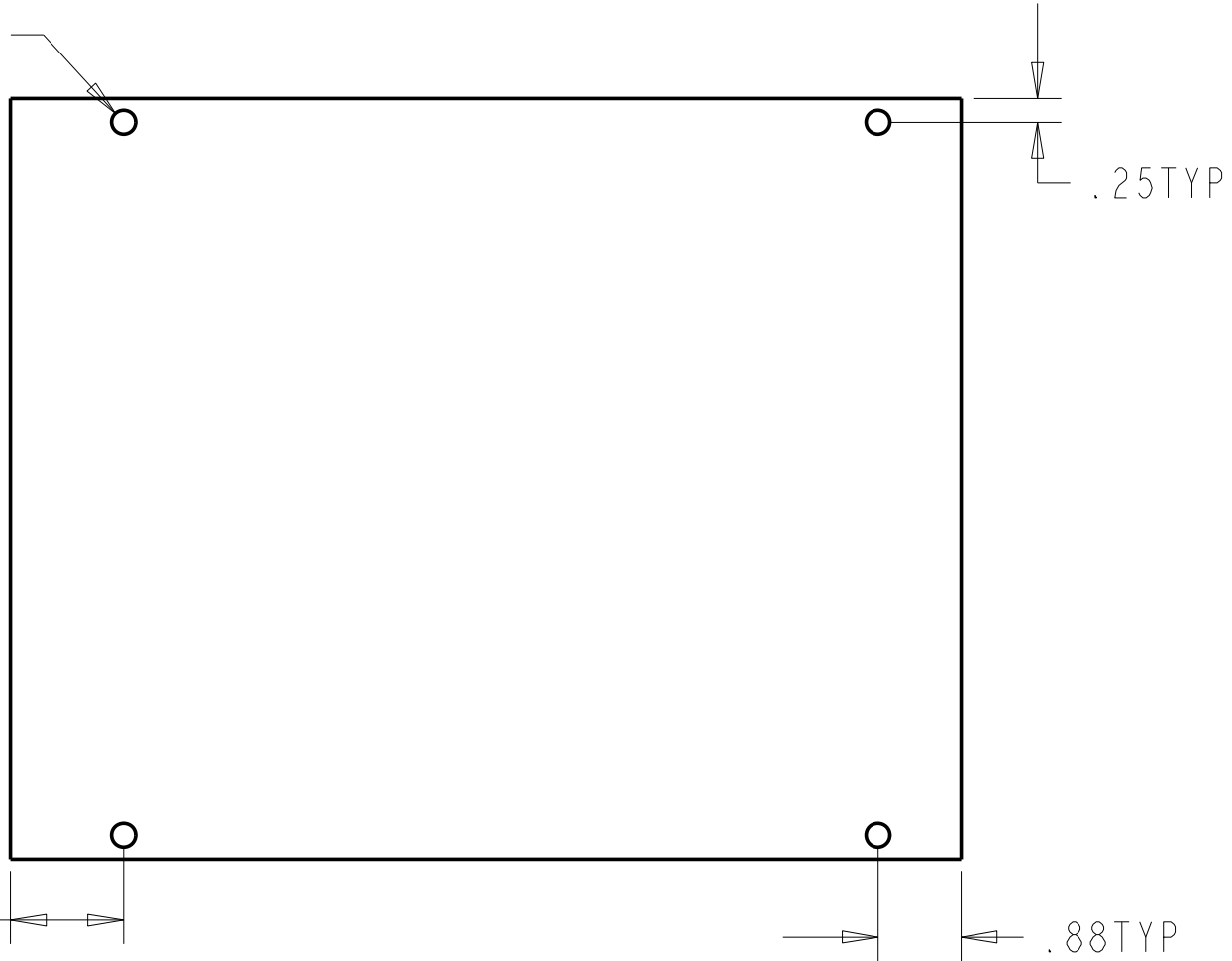
PART #:

MAT:

SHEET: 8 / 11



R.13TYP



DRAWN BY: JOEL FORMAN

DATE: 2/8/07

REQ'D: 1

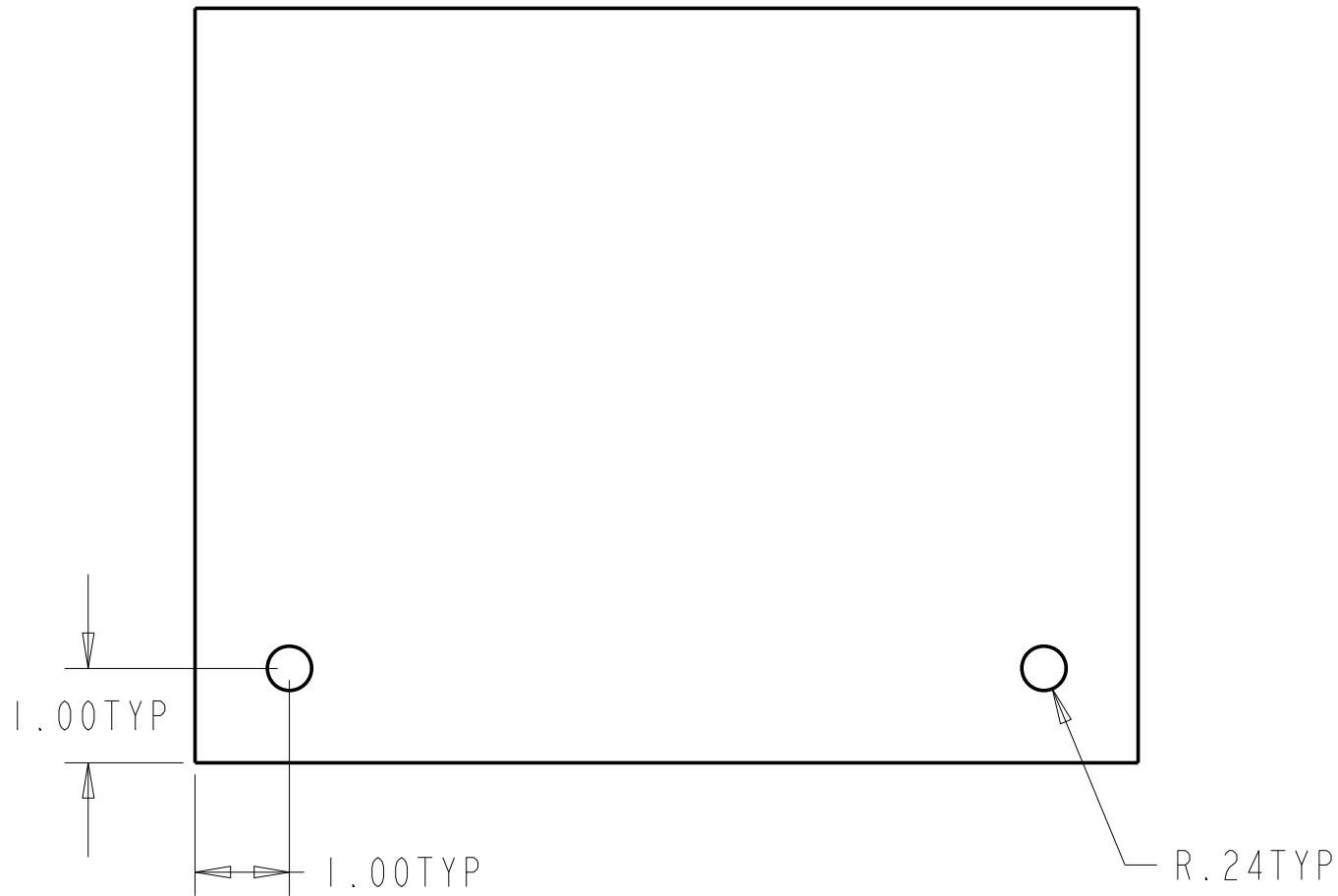
SCALE: 0.5

PART NAME: SCREW PATTERN

PART #:

MAT:

SHEET: 9 / 11



DRAWN BY: JOEL FORMAN

DATE: 2/8/07

REQ'D: 1

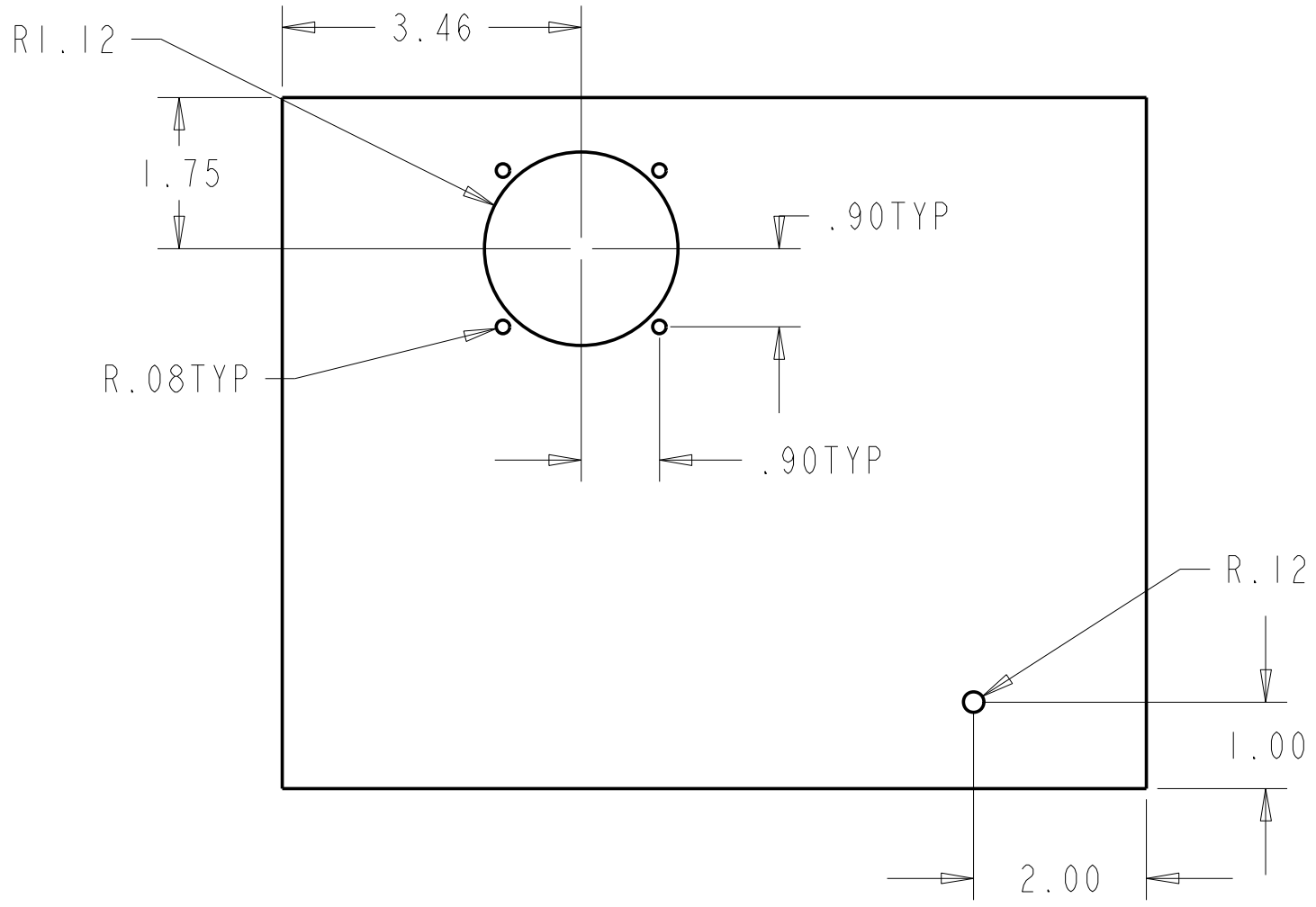
SCALE: 0.5

PART NAME: ROUND PATTERN

PART #:

MAT:

SHEET: 10 / 11



DRAWN BY: JOEL FORMAN

DATE: 2/8/07

REQ'D: 1

SCALE: 0.5

PART NAME: SOUND PATTERN

PART #:

MAT:

SHEET: 11 / 11