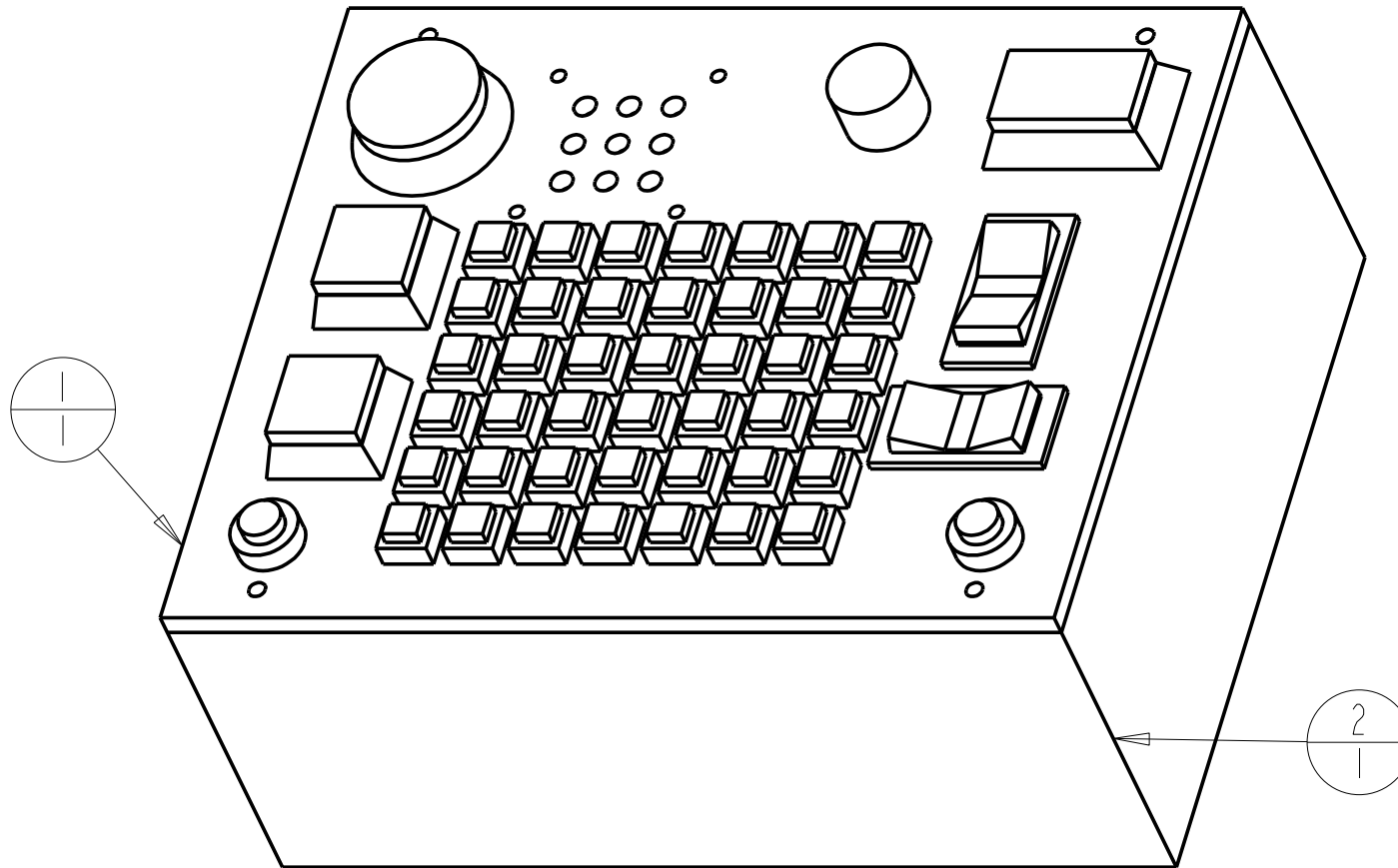


BILL OF MATERIALS

ITEM	PART NAME	QTY
1	COVER_ASSEMBLY	1
2	ENCLOSURE_ASSEMBLY	1



DRAWN BY: JOEL FORMAN

DATE: 5/15/07

REQ'D: 1

SCALE: 0.5

PART NAME: FULL ASSEMBLY

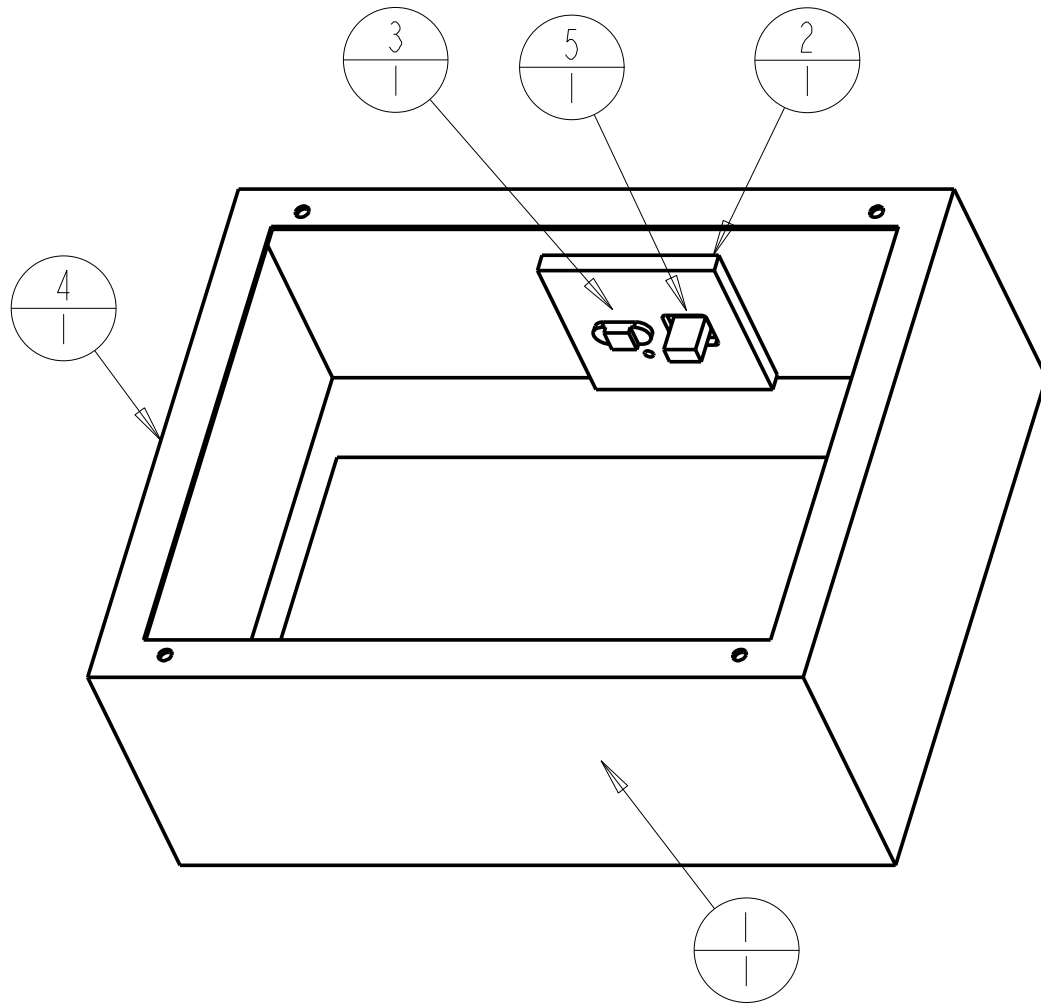
PART #:

MAT:

SHEET: 1 / 11

BILL OF MATERIALS

ITEM	PART NAME	QTY
1	CIRCUIT_BOARD_ASSEMBLY	
2	CORD HOLDER	1
3	DC JACK	1
4	ENCLOSURE	1
5	MIC JACK	1



DRAWN BY: JOEL FORMAN

DATE: 5/15/07

REQ'D: 1

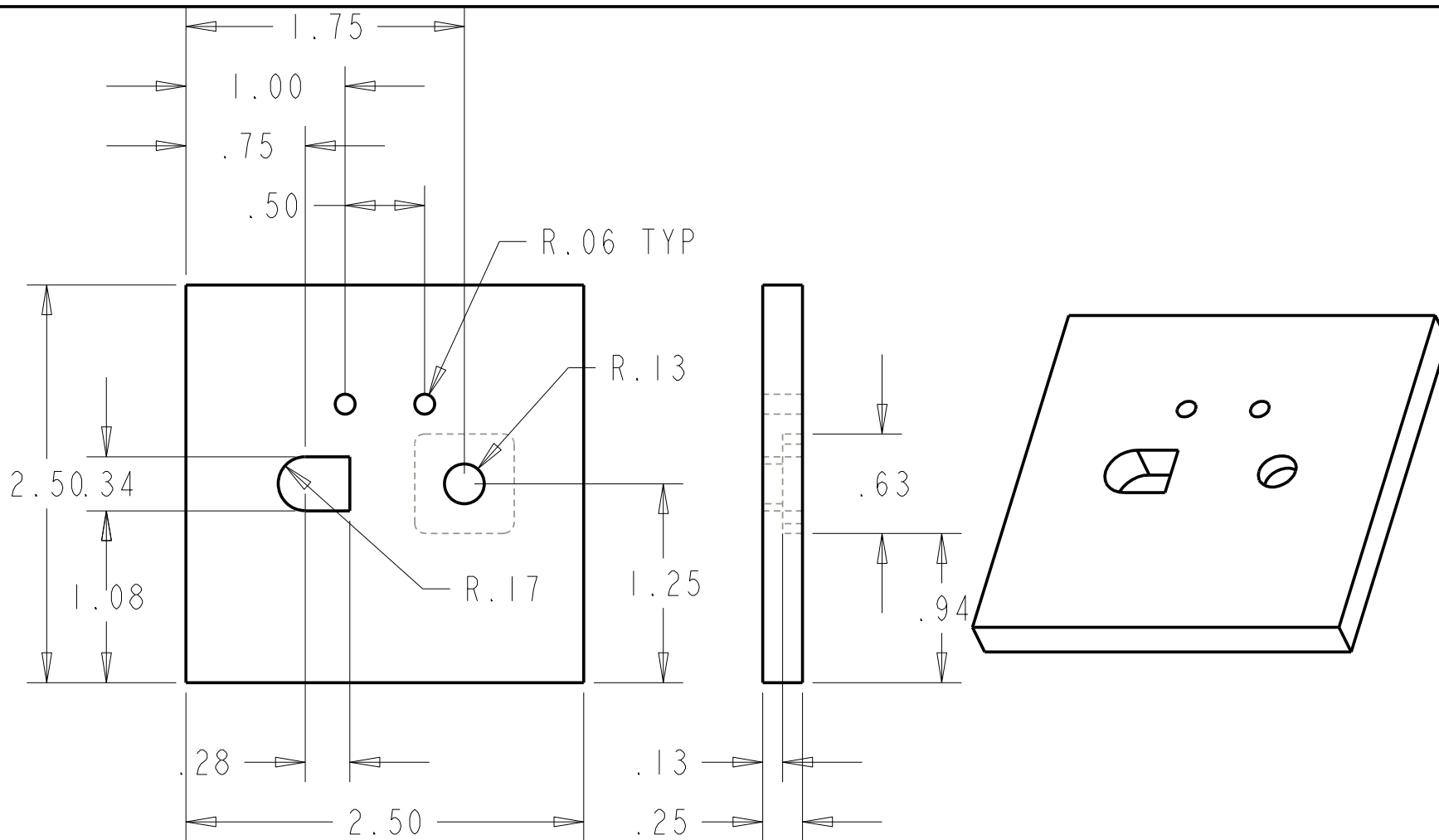
SCALE: 0.4

PART NAME: ENCLOSURE ASSEMBLY

PART #:

MAT:

SHEET: 2 / 11



DRAWN BY: JOEL FORMAN

DATE: 5/15/07

REQ'D: 1

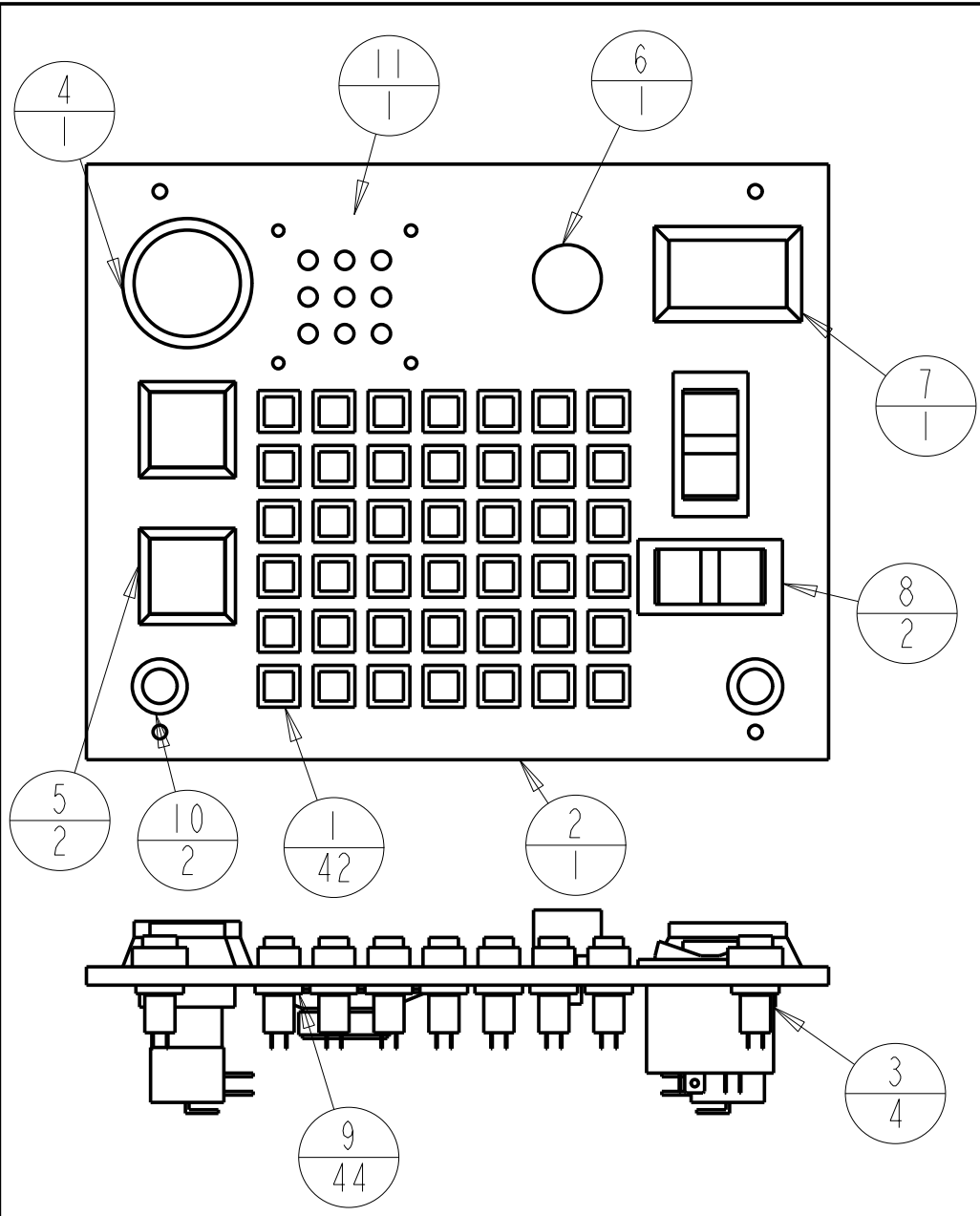
SCALE: 1.0

PART NAME: CORD HOLDER

PART #:

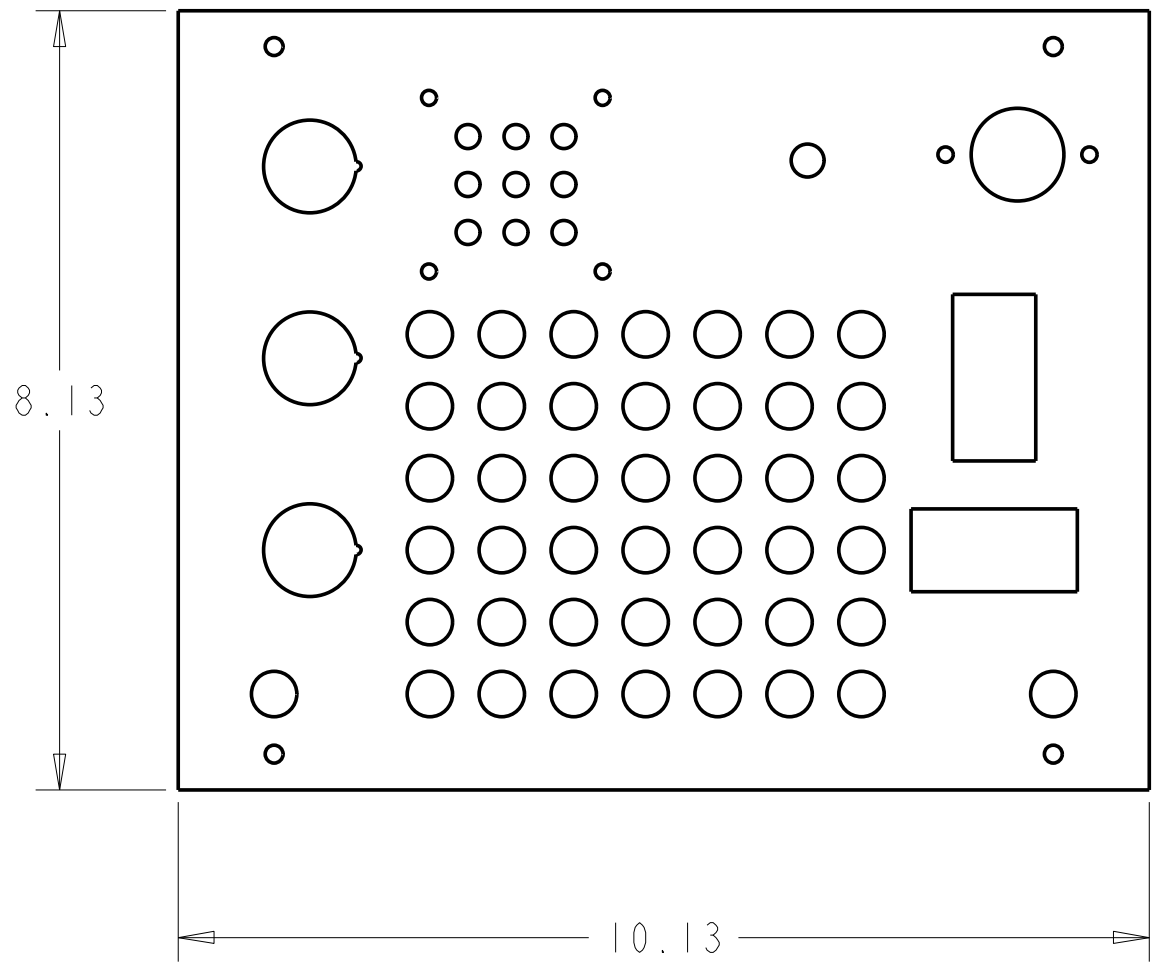
MAT: ABS

SHEET: 3 / 11



BILL OF MATERIALS		
ITEM	PART NAME	QTY
1	CALENDAR_BUTTON	42
2	COVER	1
3	LARGE_NUT	4
4	LARGE_ROUND_BUTTON	1
5	LARGE_SQUARE_BUTTON	2
6	POT_ASSY	1
7	POWER_BUTTON	1
8	ROCKER_SWITCH	2
9	SMALL_BUTTON_NUT	44
10	SMALL_ROUND_BUTTON	2
11	SPEAKER	1

DRAWN BY: JOEL FORMAN	DATE: 5/15/07	REQ'D: 1	SCALE: 0.4
PART NAME: COVER ASSEMBLY	PART #:	MAT:	SHEET: 4 / 11



Thickness: 0.25

DRAWN BY: JOEL FORMAN

DATE: 5/15/07

REQ'D: 1

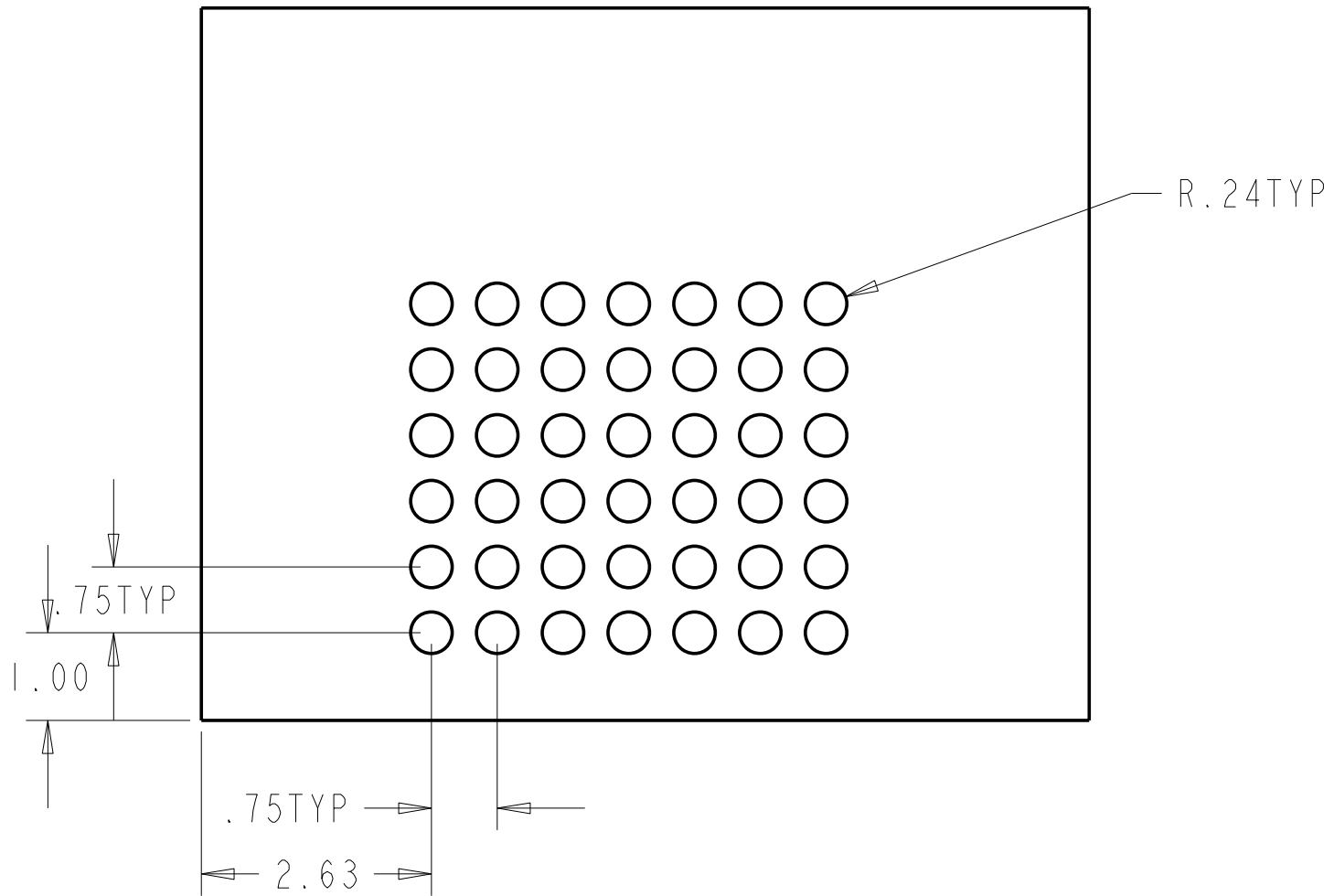
SCALE:

PART NAME: COVER

PART #:

MAT: ABS

SHEET: 5 / 11



DRAWN BY: JOEL FORMAN

DATE: 5/15/07

REQ'D: 1

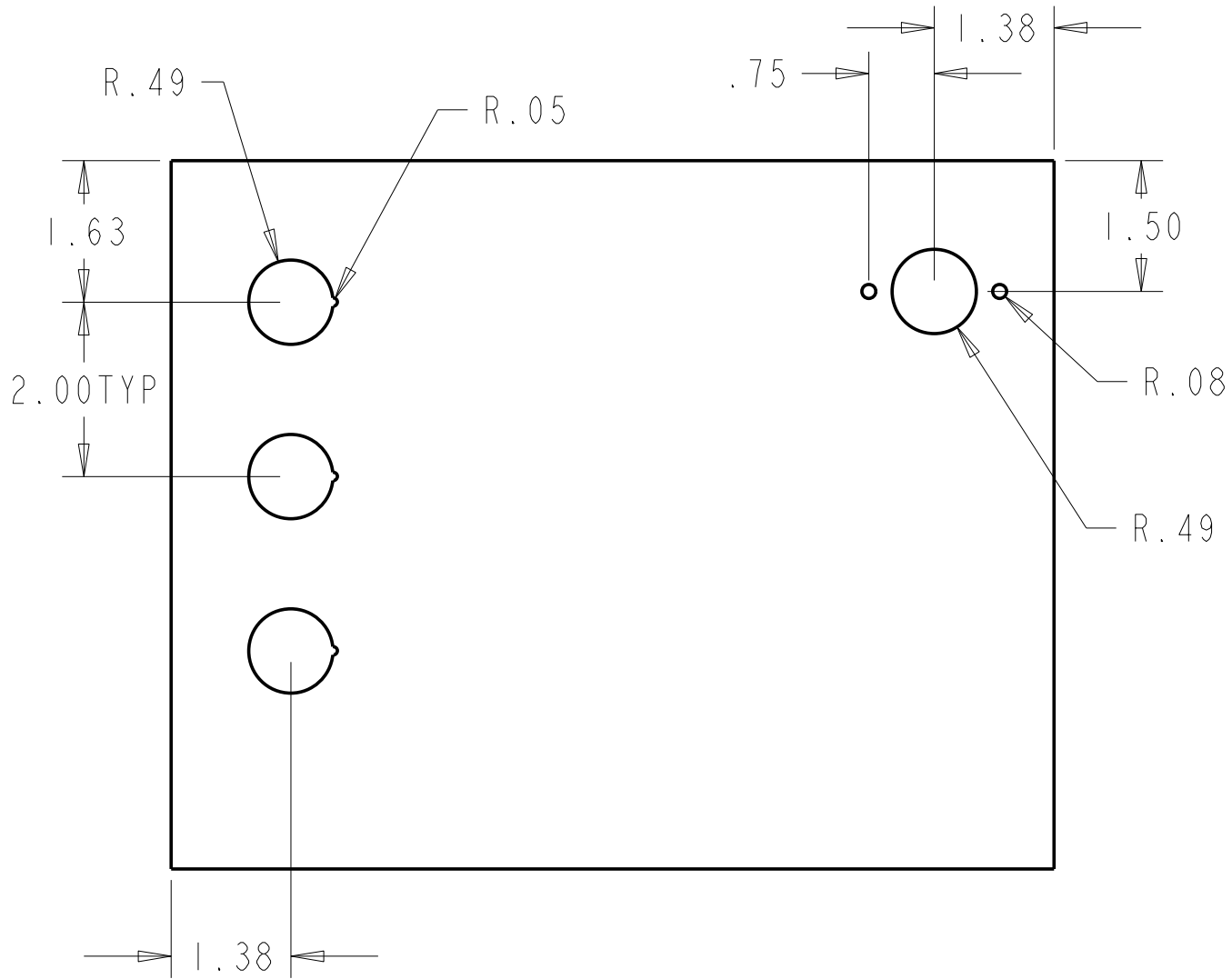
SCALE: 0.5

PART NAME: CALENDAR PATTERN

PART #:

MAT:

SHEET: 6 / 11



DRAWN BY: JOEL FORMAN

DATE: 5/15/07

REQ'D: 1

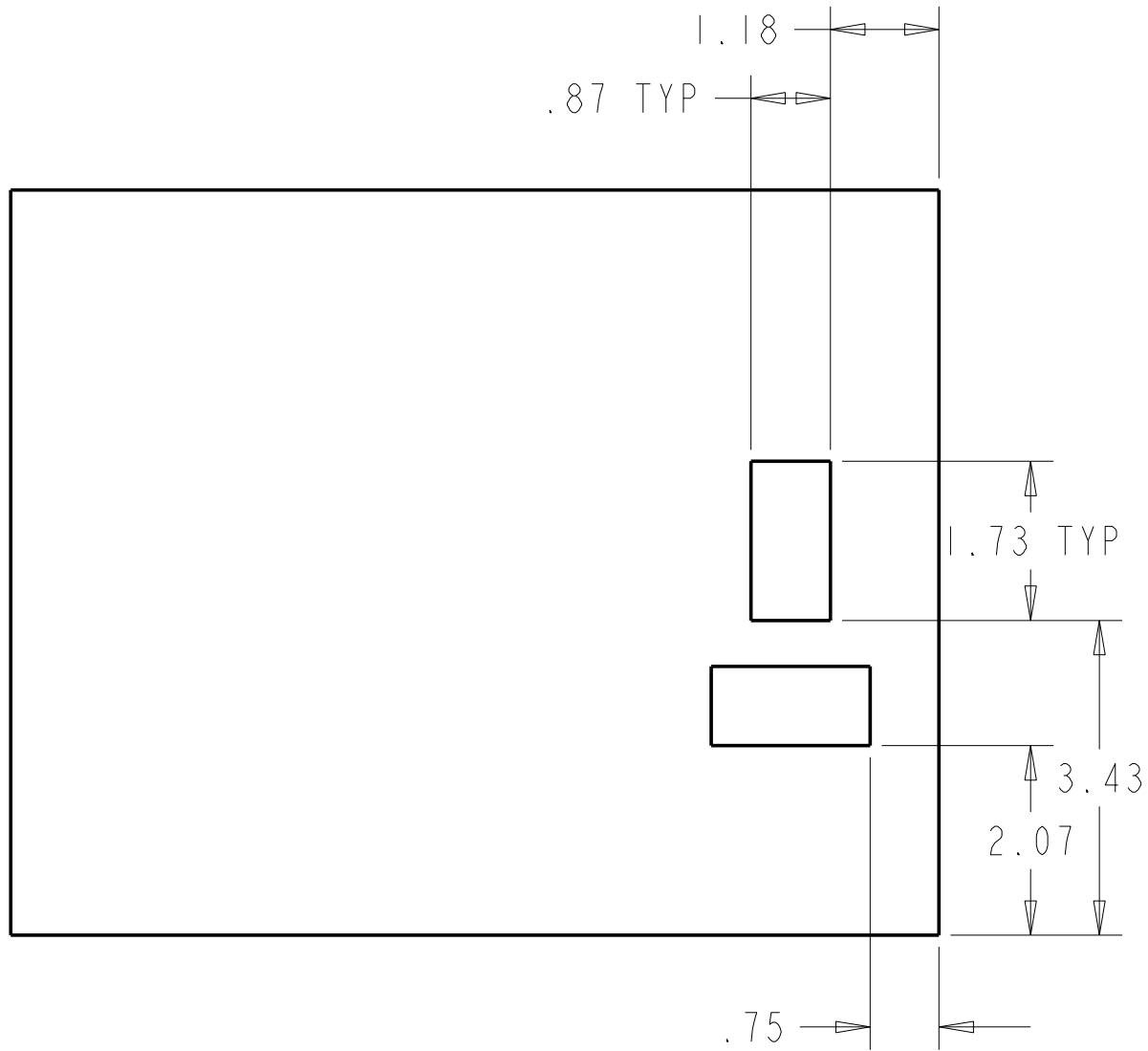
SCALE: 0.5

PART NAME: LARGE PATTERN

PART #:

MAT:

SHEET: 7 / 11



DRAWN BY: JOEL FORMAN

DATE: 5/15/07

REQ'D: 1

SCALE: 0.5

PART NAME: ROCKER PATTERN

PART #:

MAT:

SHEET: 8 / 11

R.09TYP

.38TYP

1.00TYP

1.00TYP

DRAWN BY: JOEL FORMAN

DATE: 5/15/07

REQ'D: 1

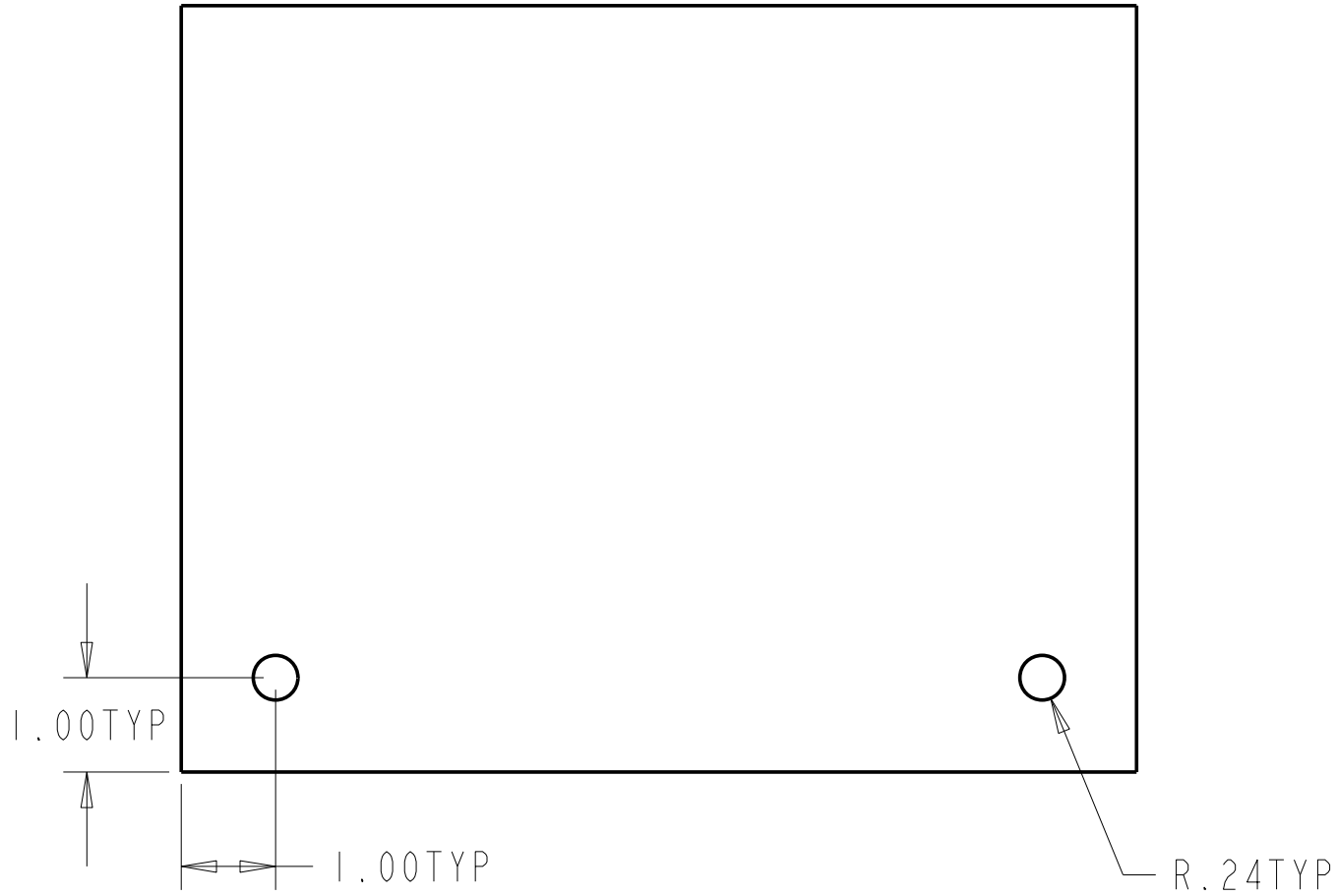
SCALE: 0.5

PART NAME: BOLT PATTERN

PART #:

MAT:

SHEET: 9 / 11



DRAWN BY: JOEL FORMAN

DATE: 5/15/07

REQ'D: 1

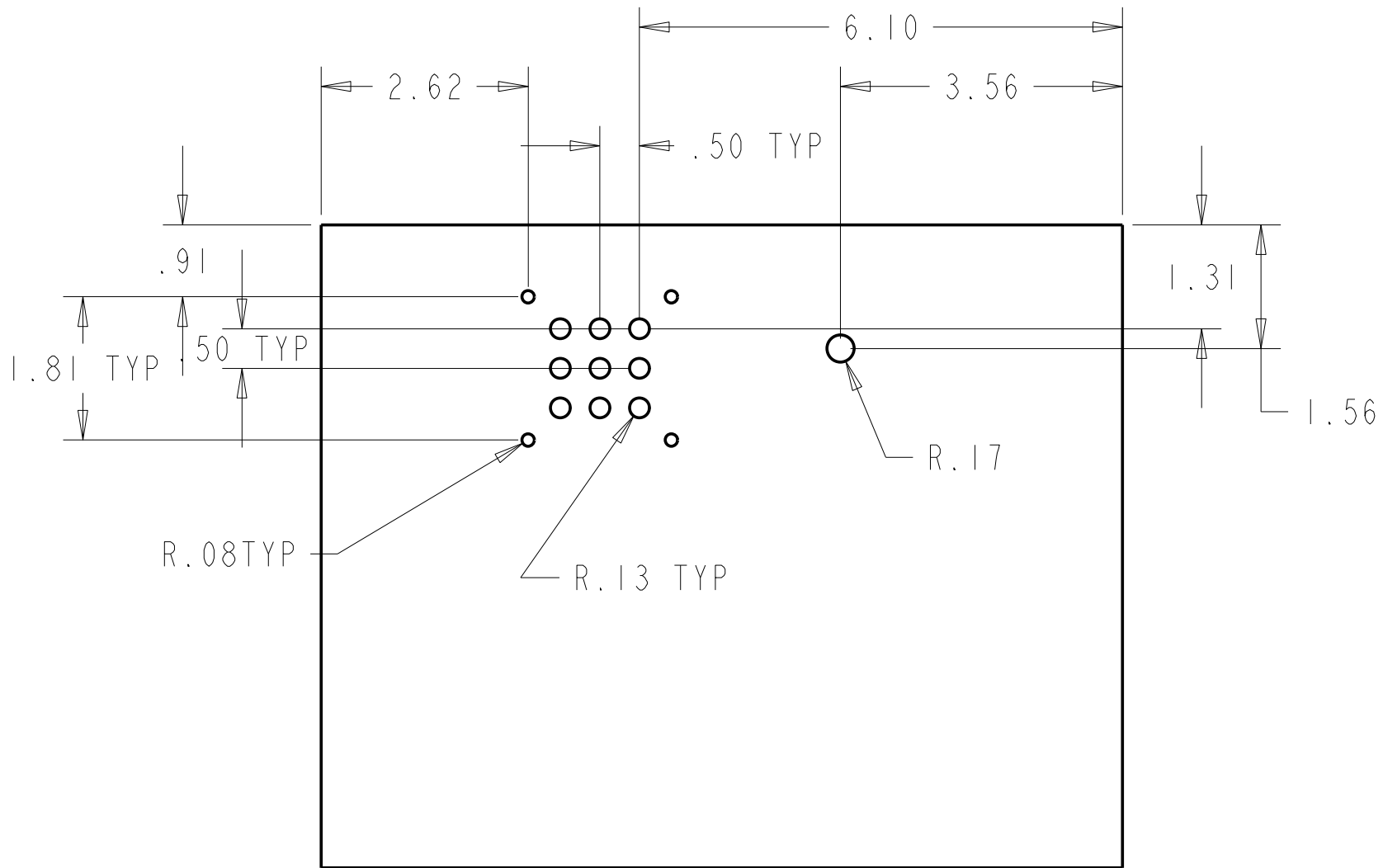
SCALE: 0.5

PART NAME: ROUND PATTERN

PART #:

MAT:

SHEET: 10 / 11



DRAWN BY: JOEL FORMAN

DATE: 5/15/07

REQ'D: 1

SCALE: 0.5

PART NAME: SOUND PATTERN

PART #:

MAT:

SHEET: 11 / 11