

**Panasonic**  
ideas for life



Super Dynamic III  
Network Color Dome Camera  
**WV-NS202**

MPEG-4/JPEG

**SDIII**  
Super Dynamic



Introducing a network camera with pictures so clear,  
they exceed the human eye

SUPER DYNAMIC III  
NETWORK COLOR DOME CAMERA  
**WV-NS202**

# Exceptional quality, reliable performance, extreme versatility. Panasonic's i-Pro WV-NS202 network surveillance camera has arrived.

Panasonic, the leader in video surveillance, introduces a PTZ network camera ahead of its time. Featuring **Super Dynamic III** and progressive output, Panasonic has created unparalleled high-sensitivity and high-resolution image reproduction. The highly reliable WV-NS202 features image backup functions and industrial grade mechanisms while remaining cost effective. Designed for professional surveillance applications, the WV-NS202 PTZ network camera is worthy of the leading role.



## Designed to produce High-quality Images

Dealing with a variety of subjects

### Pixel Based 128x Dynamic Range **SDIII** Super Dynamic

**Super Dynamic III** performs gradation compensation of contrast on the pixel base, ensuring accurate reproduction of subjects in any situation. It achieves the 128x dynamic range by using images taken at 1/60-second and 1/8,000-second shutter speeds.



**Conventional**  
Depending on subject position, the image may be marred by black spots or halo effects.

**Super Dynamic III**  
Pixel Based 128x Dynamic Range faithfully reproduces every subject.

Capturing remote subjects smoothly

### 22x Zoom Lens

A 22x optical zoom lens with a focal distance f of 3.79-83.4mm comes standard. Combined with the 10x electronic zoom, 220x magnification is achieved, allowing for high-power surveillance and the capture of subjects at long range.



Moving subjects are smooth and easy to see

### Progressive Output

Progressive output is utilized for smooth reproduction of moving objects. Compared to interlaced output, images of moving people and passing cars are smooth and easy to see.

Powerful in low light situations

### Minimum illumination of 0.7 lux (0.07 fc)

The WV-NS202 features a minimum illumination of 0.7 lux (0.07 fc). Surveillance is possible in color, even at nighttime. The electronic sensitivity feature (up to 32x) ensures use for night surveillance.



Conventional

WV-NS202

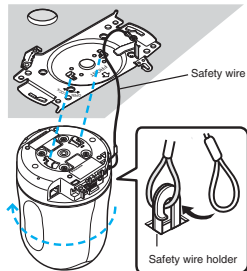
## Easy installation and IP configuration

### Power Over Ethernet

With PoE (Power over Ethernet) IEEE802.3af, a separate power supply is not required. Both power and images are transmitted through the same cable. Just connect the cable to a PoE switch or PoE adapter for simple installation.

### One-touch Fitting Mechanism

Achieve a secure fit by aligning the recessed part of the main unit to the protruding part of the attached mounting bracket, and rotating the main unit clockwise.



Various settings can be adjusted while

### monitoring the camera image

Various settings, such as white balance, intensified sensitivity ON/OFF and shutter speeds can be adjusted while monitoring the actual camera image.



### Versatile installations for various applications

Various optional fixtures are available, ensuring versatile installation; direct ceiling mount, embedded ceiling mount and wall mount. The use of the supplied black cover conceals the direction the camera is facing.

Ceiling mount

Embedded ceiling mount

Wall mount





## SPECIFICATIONS

<b>Camera</b>	
Image Sensor	1/4-type interline transfer CCD
Effective Pixels	768 (H) x 494 (V)
Scanning Area	3.59 mm (H) x 2.70 mm (V)
Scanning System	2:1 interlace scan (with motion adaptive interlace/progressive conversion function)
Minimum Illumination	0.7 lux (0.07 fc) (sensitivity up: OFF, AGC: HIGH) 0.07 lux (0.007 fc) (sensitivity up: 10x, AGC: HIGH)
Dynamic Range	52 dB typ. (Super Dynamic III: ON, Shutter speed: OFF)
Gain	ON (LOW)/ON (MID)/ON (HIGH)/OFF
Shutter Speed	OFF (1/60), AUTO, 1/100
Sensitivity Up	Up to 32x
White Balance	ATW1/ATW2/AWC
Digital Noise Reduction (DNR)	LOW/HIGH
Electronic Zoom	Up to 10x
Camera Title	Up to 16 characters (alphanumeric characters, marks) ON/OFF
VMD Alarm	ON/OFF, 4 areas available
Image Hold	ON/OFF
Privacy Zone	ON/OFF (up to 8 zones available)
<b>Lens</b>	
Zoom Ratio	22x
Focal Length	3.79 mm ~ 83.4 mm
Maximum Aperture Ratio	1 : 1.6 (WIDE) ~ 3.0 (TELE)
Macro	1.6 m
Aperture Range	F1.6 ~ 22, Close
Horizontal Angle of View	2.6° (TELE) ~ 51.7° (WIDE)
Vertical Angle of View	2.0° (TELE) ~ 39.9° (WIDE)
<b>Panning/Tilting Platform</b>	
Panning Range	0° ~ 350°
Panning Speed	Manual: Approx. 1°/s ~ 100°/s, preset: up to approx. 300°/s -30° ~ 90° (upward - level - downward)
Tilting Range	Selectable Tilting Angle 0° /-5° /-10° /-15° /-20° /-25° /-30°
Tilting Speed	MANUAL Approx. 1°/s ~ 100°/s, preset: up to approx. 100°/s
Number of The Preset Positions	64
Auto Mode	OFF/preset sequence/auto pan/auto track
Map Shot	360° map shot/preset map shot
<b>Network</b>	
Network	10BASE-T/100BASE-TX, RJ45 connector
Resolution	VGA (640 x 480)/QVGA (320 x 240)
Image Compression Method	MPEG-4 Image quality: LOW/NORMAL/FINE Transmission type: UNICAST/MULTICAST JPEG Image quality: 0 SUPER FINE/1 FINE/2-5 NORMAL/6-9 LOW (10 steps: 0-9) Transmission type: PULL/PUSH
Refresh Interval (MPEG-4)	0.1 fps ~ 30 fps (Frame rate of JPEG display will be limited when displaying JPEG and MPEG-4 simultaneously.)
Audio Compression Method	G.726 (ADPCM) 32 kbps/16 kbps
Bandwidth Control	64 kbps/128 kbps/256 kbps/512 kbps/1,024 kbps/2,048 kbps/4,096 kbps/Unlimited
Protocol	TCP/IP, UDP/IP, HTTP, RTP, FTP, SMTP, DHCP, DNS, DDNS, NTP, SNMP
OS	Microsoft® Windows® 2000 Professional SP4, Microsoft® Windows® XP Home Edition SP2, Microsoft® Windows® XP Professional SP2
Web Browser	Microsoft® Internet Explorer® 6.0SP2 (Microsoft® Internet Explorer® 6.0 SP1 only when using Windows® 2000 Professional SP4)
Max. Access Number	8 Concurrently (Depends on network conditions)
FTP Client	Alarm image transmission, FTP periodic transmission
Multi-Screen	Images from 16 cameras (4 cameras x 4 groups) can be displayed simultaneously.
SD Memory Card (Option)	Manufactured by Panasonic (Performance with this camera has been checked.) Capacity: 64MB, 128MB, 256MB, 512MB, 1GB and 2GB
<b>General Specifications</b>	
Power Source	DC 12 V, PoE (IEEE802.3af compliant)
Power Consumption	DC 12 V Approx. 1,000 mA, PoE: Approx. 12.0 W (Class 0 device)
Ambient Temperature	-10 °C ~ +50 °C (14 °F ~ 122 °F) Recommended operating temperature +35 °C (95 °F)
Ambient Humidity	90 % or less
Monitor Output	VBS 1.0 V (P-P)/75 Ω, composite (BNC), ø3.5 mm mini jack (monaural)
External I/O Terminals	ALARM IN 1, ALARM IN 2/ALARM OUT, ALARM IN 3/AUX OUT (x1 each)
Microphone Input	MIC IN (Applicable microphone: Plug-in power type) Supply voltage: 2.5 V ±0.5 V Input impedance: 3 kΩ ±10 %
Audio Output	AUDIO OUT ø3.5 mm stereo mini jack (monaural output) Line level
Dimensions	ø115 mm x 154 mm (H) (ø4-17/32" x 6-1/16" (H)) (excluding the DC 12 V power cord plug)
Weight	Camera: Approx. 850 g (1.87 lbs.) Accessories (Camera mounting bracket, decorative cover): Approx. 200 g (0.44 lbs.)

**Trademarks and registered trademarks** – Microsoft, and Windows are registered trademarks of Microsoft Corporation in the U.S. and other countries.  
– SD logo is a trademark.

**Important** – Safety Precaution: carefully read the operating instructions and installation manual before using this product.

– Panasonic can not be responsible for network performance and/or other manufacturer products that reside on the network.

• All TV pictures/menu are simulated. • Weights and dimensions are approximate. • Specifications are subject to change without notice. • These products may be subject to export control regulations.

# Panasonic

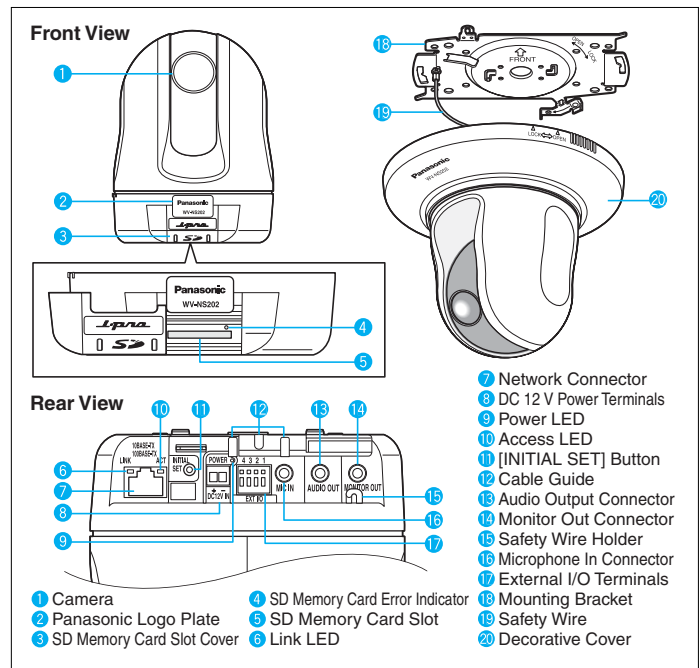
**Panasonic System Solutions Company**  
Unit Company of Panasonic Corporation of North America  
**Security Systems**

Website : [www.panasonic.com/security](http://www.panasonic.com/security)

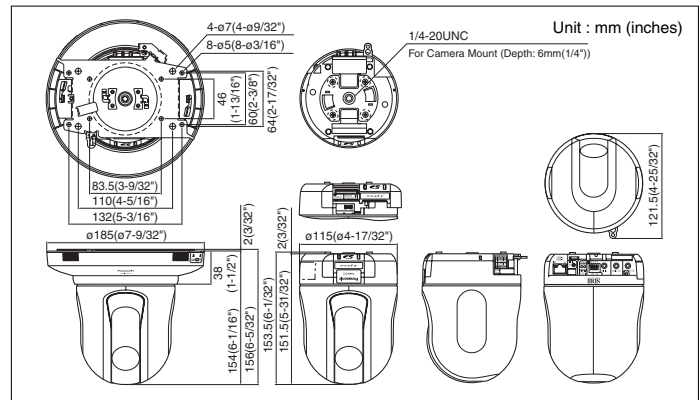
For Customer Support : call 1.877.733.3689

Executive Office : Three Panasonic Way 2H-2, Secaucus, New Jersey 07094

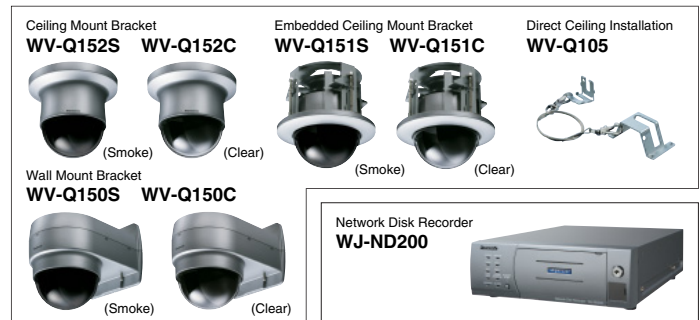
## MAJOR OPERATING CONTROLS & TERMINALS



## DIMENSIONS



## OPTIONAL COMPONENTS & ACCESSORIES



DISTRIBUTED BY:

**PANASONIC CANADA INC.**

5770 Ambler Drive, Mississauga, Ontario, L4W 2T3 Canada (905) 624-5010

**PANASONIC PUERTO RICO INC.**

**DIVISION OF PANASONIC CORPORATION OF NORTH AMERICA**

San Gabriel Industrial Park, 65th Infantry Ave. KM. 9.5 Carolina, P.R. 00985 (809) 750-4300

Printed in Japan

WJ-JHNS202C(2P-550)