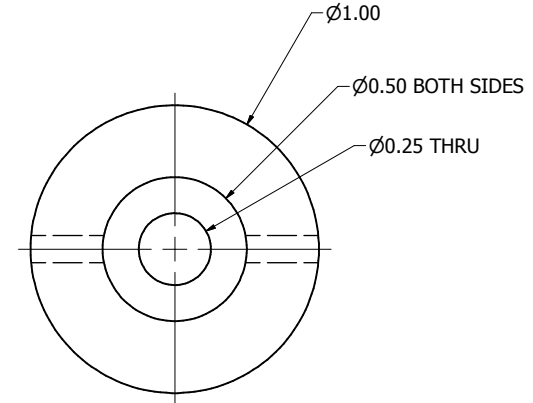
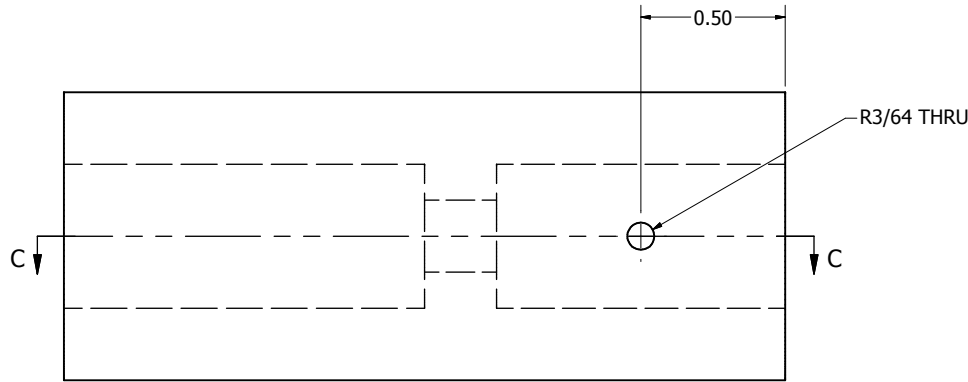
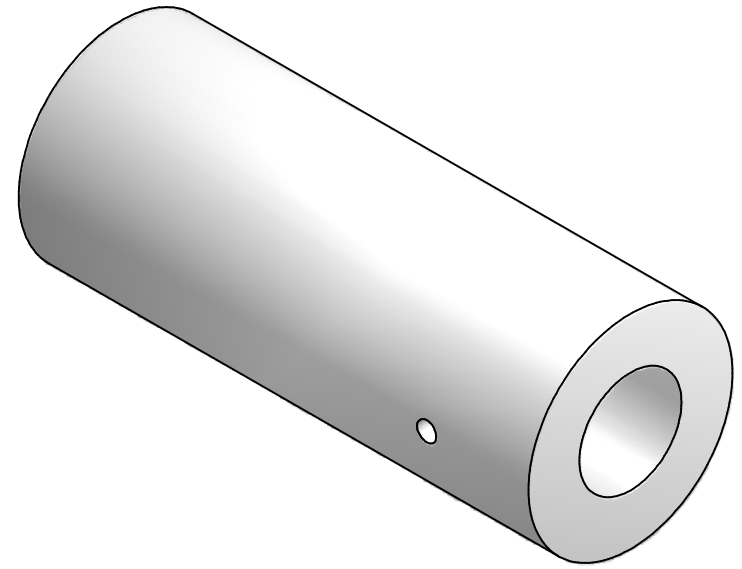


SECTION C-C  
SCALE 3 : 1



DESCRIPTION	DRAWN BY/ DATE	APPROVED BY/ DATE	DESCRIPTION	DRAWN BY/ DATE	APPROVED BY/ DATE

<h1>RIT</h1> <p>P08310 - AUTOMATIC SHIFT CONTROLS FOR ATV</p>		PART NUMBER	REVISION
		PART DESCRIPTION	
DRAWN BY:	DATE:	MATERIAL	TOLERANCE (UNLESS NOTED OTHERWISE)
APPROVED BY:	DATE:		(X.XXX) +/- 0.005 (X.XX) +/- 0.01 (X.X) +/- .1