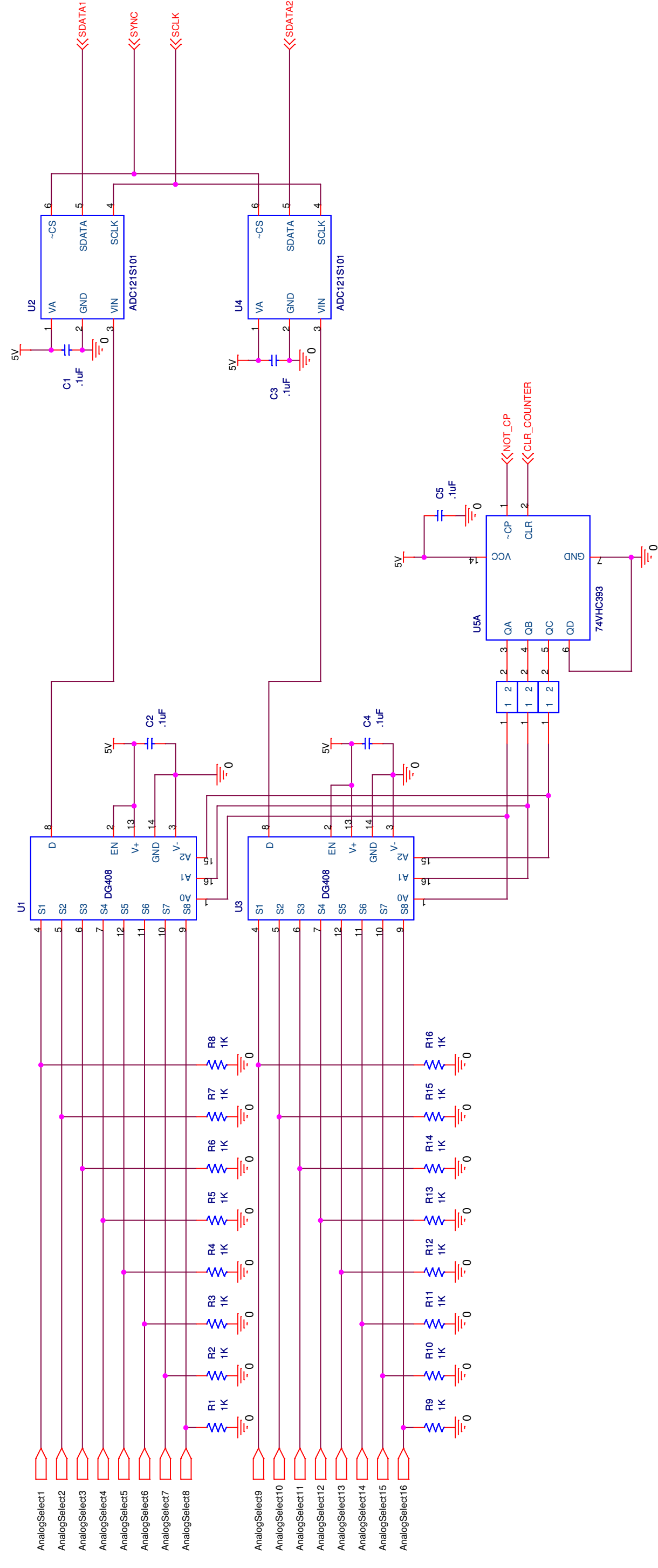
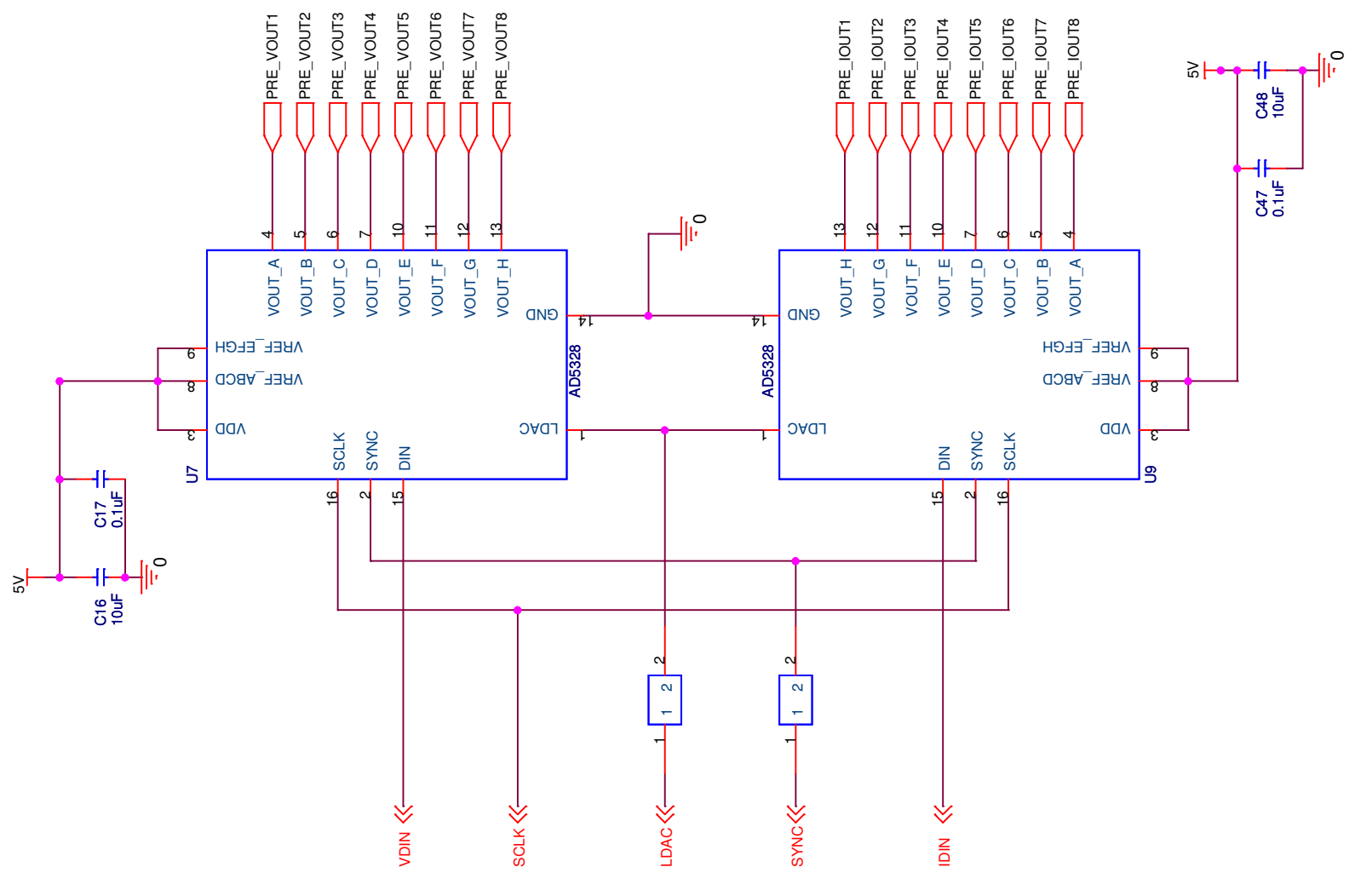


ANALOG TO DIGITAL CONVERTER

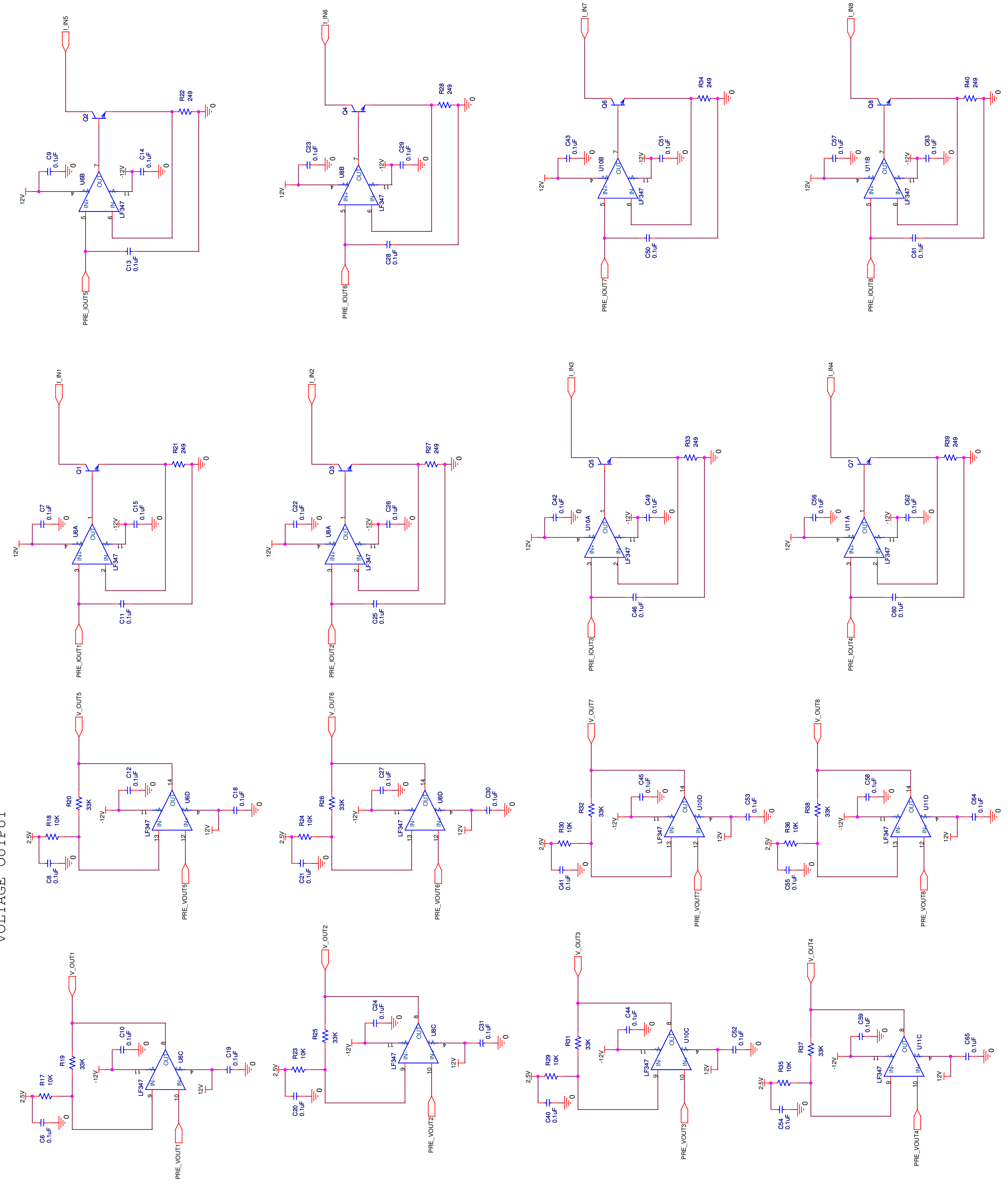
ANALOG MUX



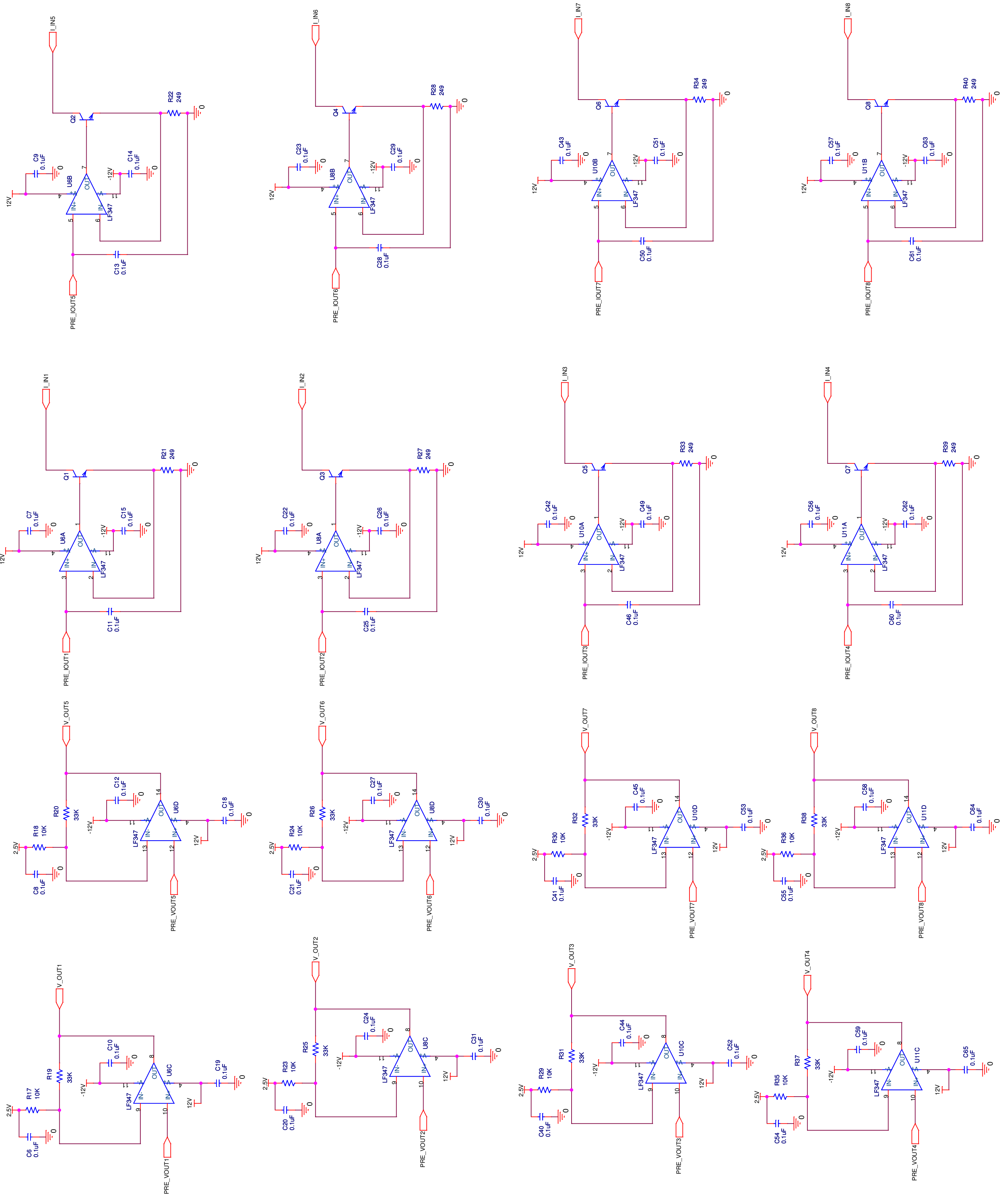
DIGITAL TO ANALOG CONVERTER



CURRENT OUTPUT

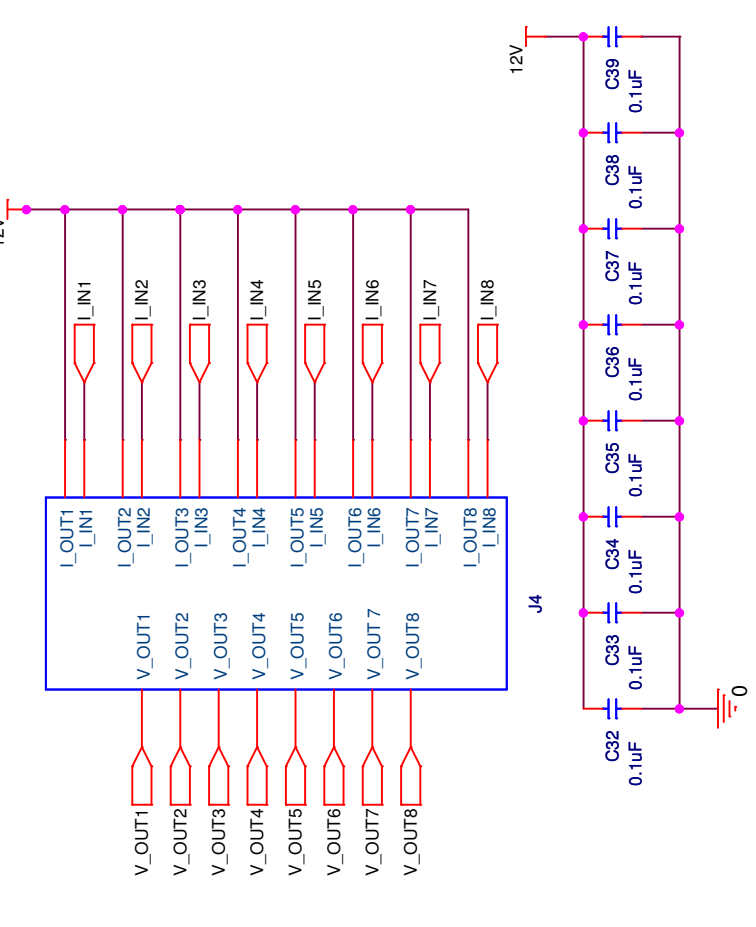


VOLTAGE OUTPUT



Unspecified header used select header to best fit design application.

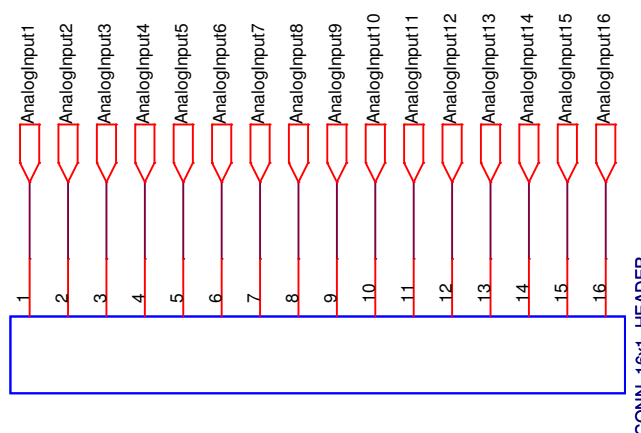
ANALOG OUTPUTS TO WORLD



Place near the 12V Analog Output pins one per pin.



INPUT FROM WORLD



Unspecified header used select header to best fit design application.

