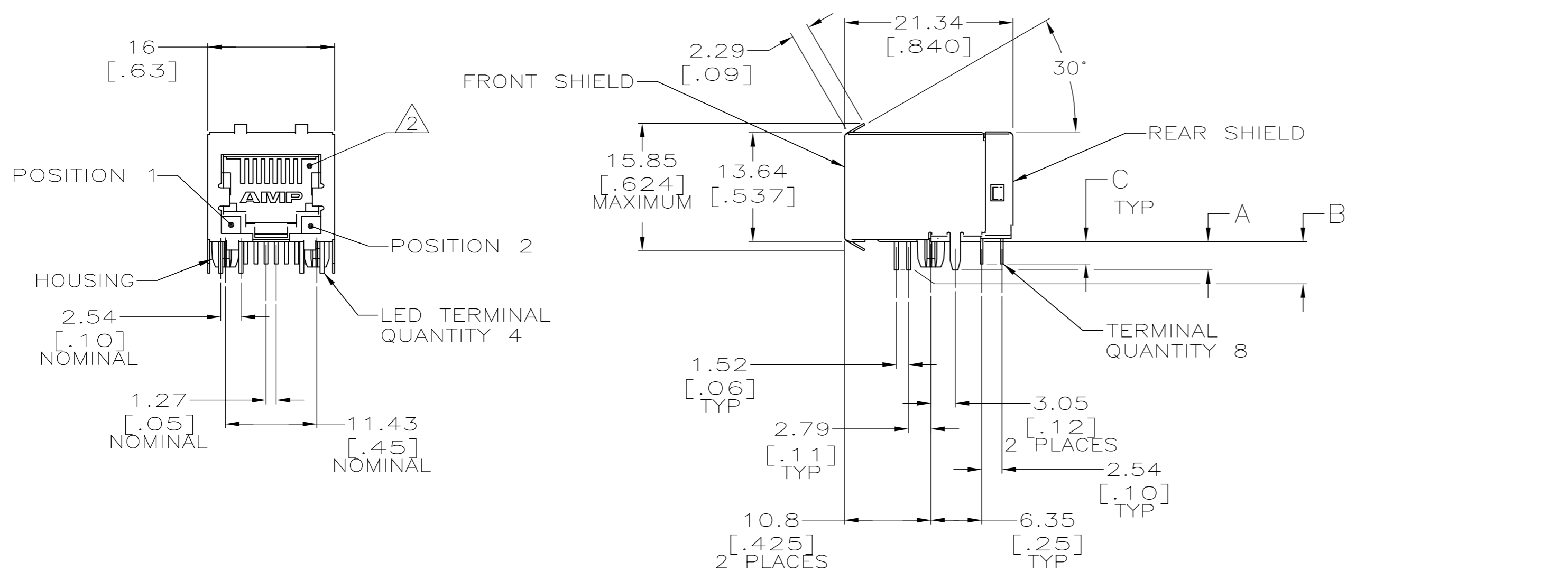
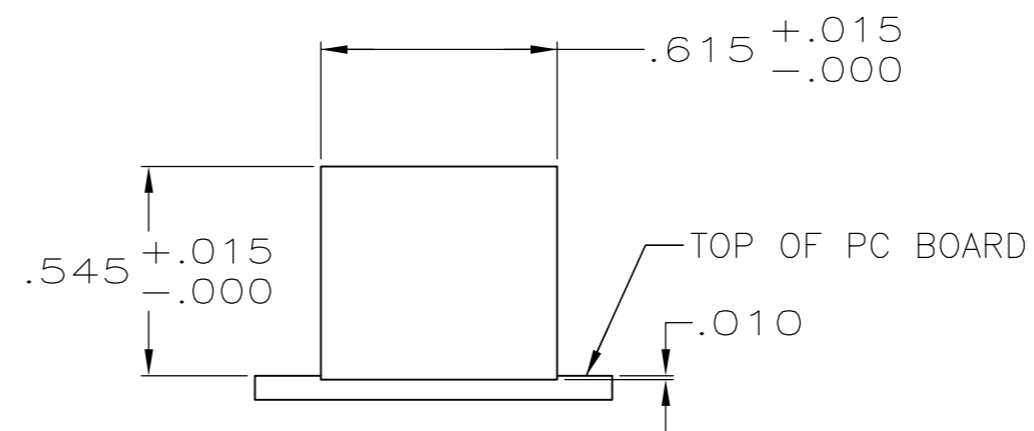
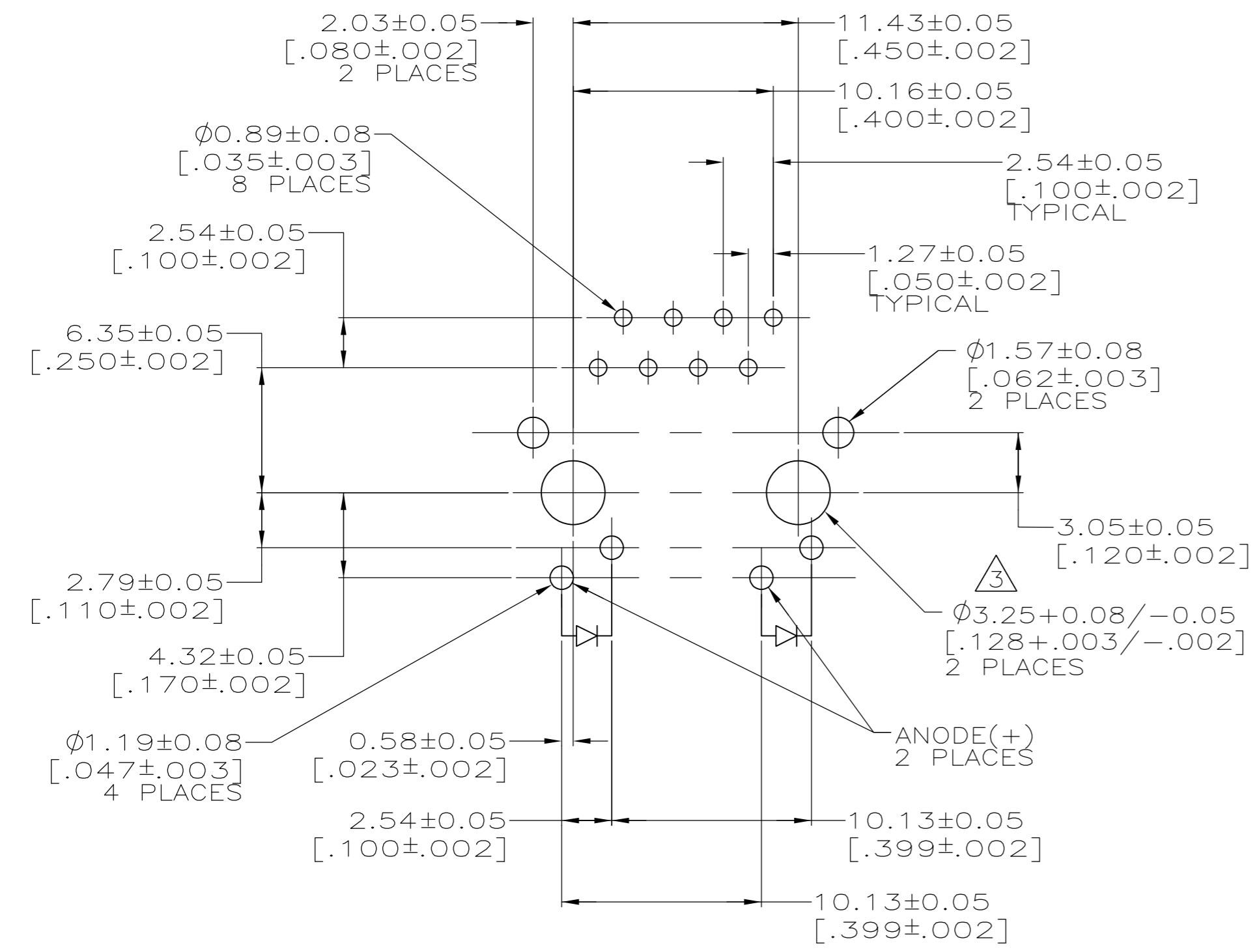


THIS DRAWING IS UNPUBLISHED. RELEASED FOR PUBLICATION  
 © COPYRIGHT BY TYCO ELECTRONICS CORPORATION. ALL RIGHTS RESERVED.

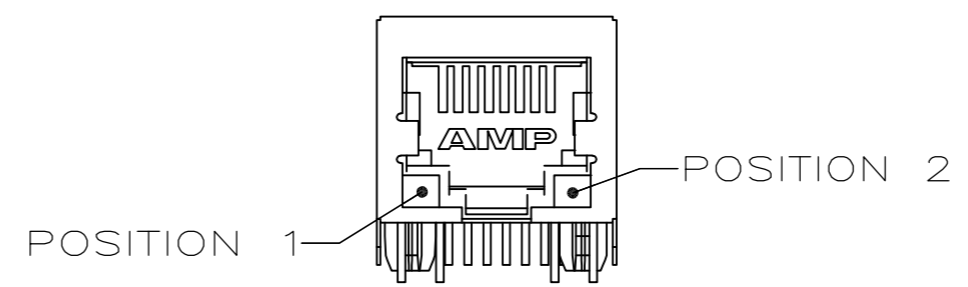
| LOC | DIST | REVISIONS |     |                       |         |     |      |
|-----|------|-----------|-----|-----------------------|---------|-----|------|
| AA  | 22   | P         | LTR | DESCRIPTION           | DATE    | DWN | APVD |
|     |      | L         |     | REV PER ECO-06-027808 | 24JAN07 | TK  | JW   |



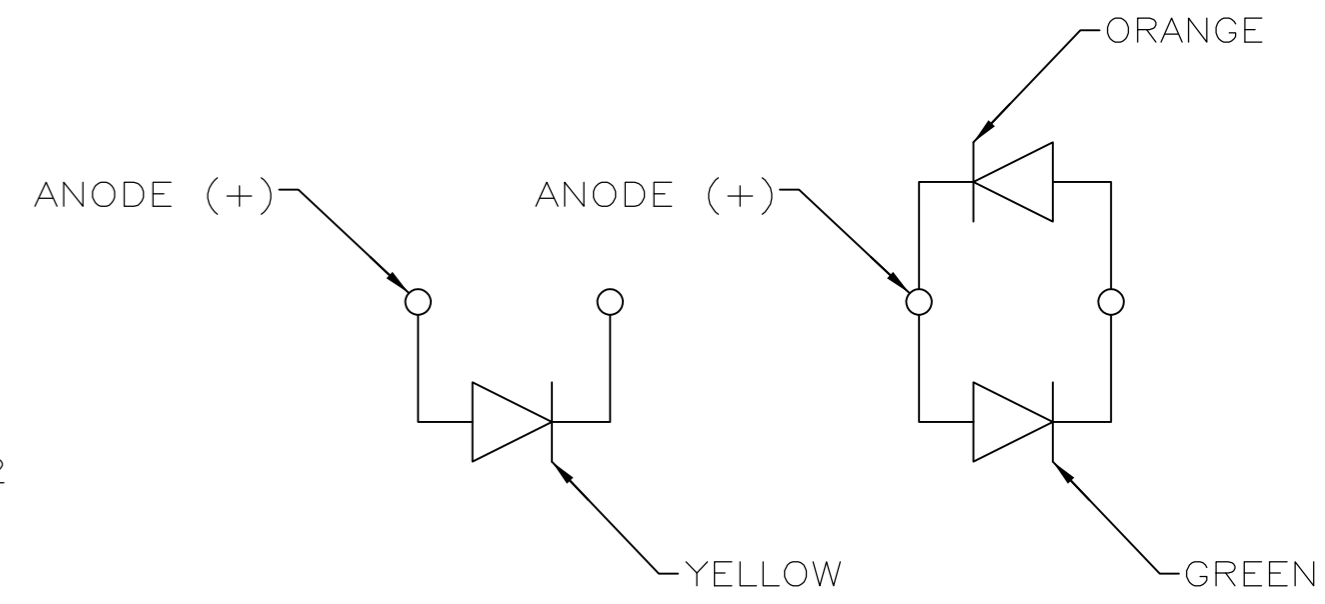
- 1 MATERIAL: HOUSING - HIGH TEMPERATURE NYLON THERMOPLASTIC, BLACK, UL94V-0. TERMINALS - 0.33[.013] THICK PHOS BRONZE PLATED WITH 1.27μm[.000050] MINIMUM THICK HARD GOLD IN LOCALIZED AREA AND 3.81μm[.000150] MINIMUM THICK TIN-LEAD IN SOLDER AREA OVER 1.27μm[.000050] MINIMUM THICK NICKEL UNDERPLATE. SHIELD - 0.254[.010] THICK COPPER ALLOY PLATED WITH 2.03μm[.000080] MINIMUM TIN OVER 1.27 μm [ .000050] MINIMUM NICKEL. LIGHT EMITTING DIODE (LED) - DIFFUSED EPOXY LENS, 0.51 x 0.51[.020 x .020] CARBON STEEL WIREFRAME LEADS PREPLATED WITH 2.04μm[.000080] MINIMUM SILVER OVER 1.02μm[.000040] MINIMUM NICKEL UNDERPLATE OVER 1.02μm[.000040] MINIMUM COPPER UNDERPLATE.
- 2 JACK CAVITY CONFORMS TO FCC RULES AND REGULATIONS, PART 68 SUBPART F.
- 3 USE #30 DRILL BIT OR 3.25mm DRILL BIT WHEN PRODUCING THESE PCB HOLES.
- 4. THIS MODULAR JACK WITH INTEGRATED LEDS IS NOT IR REFLOW SOLDERING PROCESS COMPATIBLE.



SUGGESTED PANEL CUTOUT



569564-3 WITHOUT PANEL GROUNDS



LED CURRENT DIAGRAM 569564-3 ONLY

|           |           |           |            |              |             |
|-----------|-----------|-----------|------------|--------------|-------------|
| 2.79[.11] | 3.56[.14] | 4.06[.16] | GREEN      | GREEN        | 569564-4    |
| 2.50[.10] | 2.50[.10] | 3.00[.12] | YELLOW     | GREEN/ORANGE | 569564-3    |
| 2.79[.11] | 3.56[.14] | 4.06[.16] | RED        | YELLOW       | 569564-2    |
| 2.79[.11] | 3.56[.14] | 4.06[.16] | GREEN      | YELLOW       | 569564-1    |
| C         | B         | A         | POSITION 1 | POSITION 2   | PART NUMBER |

SUPERSEDED BY 569564-1

SUGGESTED PC BOARD LAYOUT COMPONENT SIDE SCALE 4:1

THIS DRAWING IS A CONTROLLED DOCUMENT.

|                         |  |                           |   |
|-------------------------|--|---------------------------|---|
| DIMENSIONS: mm [INCHES] | TOLERANCES UNLESS OTHERWISE SPECIFIED: | DWN T. SPRINKLE 06-SEP-95 | Tyco Electronics Corporation<br>Harrisburg, PA 17105-3608                           |
| 0 PLC ± -               | 1 PLC ± -                              | CHK C. WHITT 27-SEP-95    |   |
| 2 PLC ± 0.25[.01]       | 3 PLC ± 0.13[.005]                     | APVD J. TONEY 04-OCT-95   | NAME  |
| 4 PLC ± -               | ANGLES ± -                             | PRODUCT SPEC 108-1163-1   | MODULAR JACK ASSEMBLY, 8 POSITION, RIGHT ANGLE, LOW PROFILE, PANEL GROUND WITH LEDS |
| MATERIAL                | FINISH                                 | APPLICATION SPEC 114-2154 | SIZE CAGE CODE DRAWING NO RESTRICTED TO   |
|                         |  | WEIGHT -                  | A2 00779 C=569564   |
|                         |  | CUSTOMER DRAWING          | SCALE 2:1 SHEET 1 OF 1 REV L  |