

# Appendix A

## eZdsp™ F28335

### Schematics

---

---

---

The schematics for the eZdsp™ F28335 can be found on the CD-ROM that accompanies this board. The schematics were drawn on ORCAD.

The schematics are correct for both the socketed and unsocketed version of the eZdsp™.

#### **WARNING !**

The TMS320F28335 supports +3.3V Input/Output levels which are NOT +5V tolerant. Connecting the eZdsp to a system with +5V Input/Output levels will damage the TMS320F28335. If the eZdsp is connected to another target then the eZdsp must be powered up first and powered down last to prevent latchup conditions.

#### **Design Notes:**

1. The TMS320F28335 X1/CLKIN pin is +1.8 volt input. The clock input is buffered with a SN74LVC1G14 whose supply is +1.8 volts. This provides +3.3 volts to the +1.8 volt clock translation. Refer to sheet 4 of the schematics.

REV	DESCRIPTION	DATE	APPROVED
A	ALPHA RELEASE	29-July-2007	

REVISIONS

**SCHEMATIC CONTENTS**

SHEET01 - TITLE PAGE  
 SHEET02 - TMS320F28335 DSP  
 SHEET03 - DSP DECOUPLING CAPS  
 SHEET04 - BOOT SWITCHES, OSC  
 SHEET05 - MEMORY  
 SHEET06 - I/O MULTIPLEXING  
 SHEET07 - CAN, RS232  
 SHEET08 - EMIF EXPANSION  
 SHEET09 - I/O EXPANSION  
 SHEET10 - ANALOG EXPANSION  
 SHEET11 - JTAG  
 SHEET12 - POWER  
 SHEET13 - PLACEMENT TOP  
 SHEET14 - PLACEMENT BOTTOM

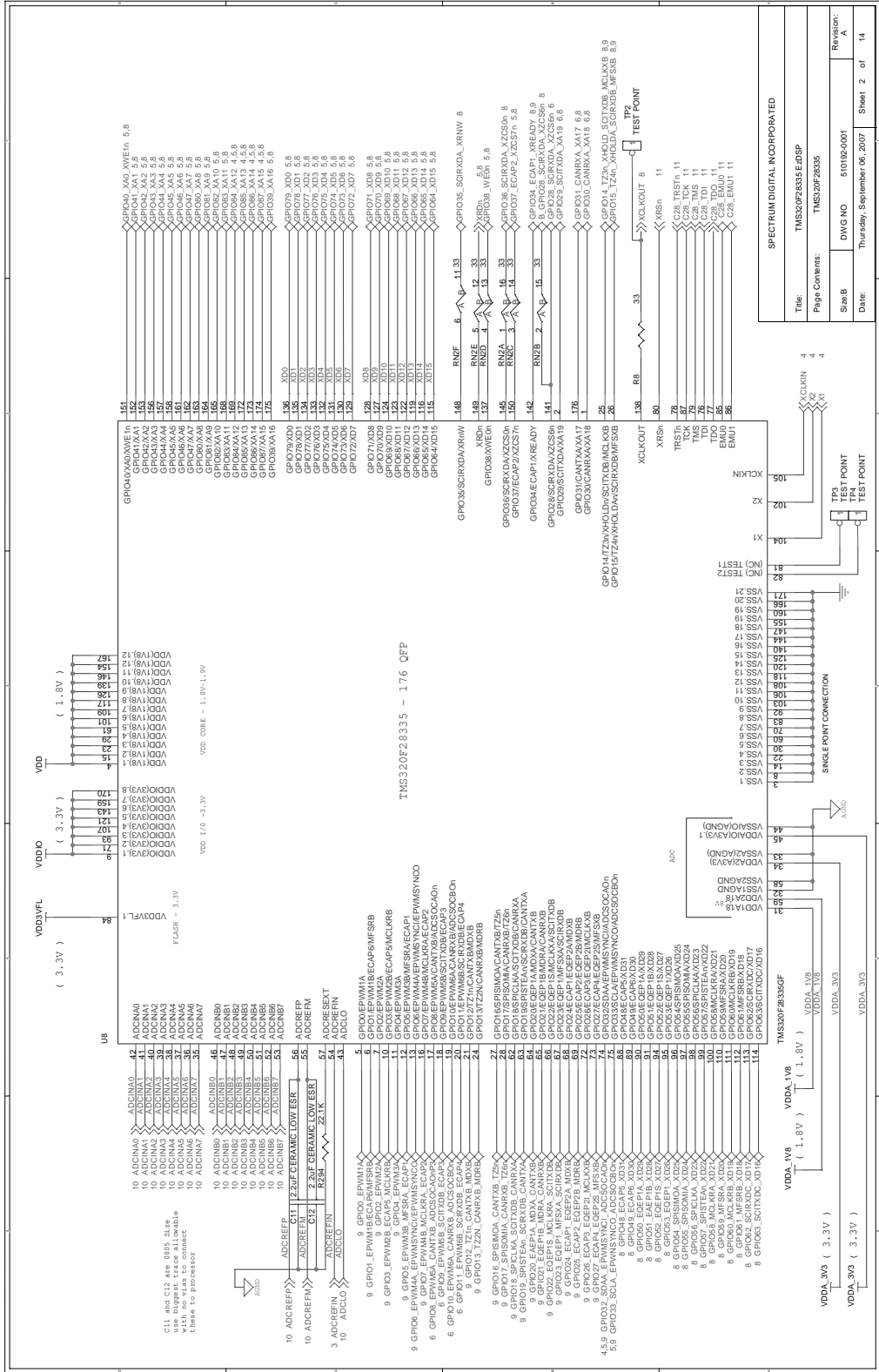
The TMS320F28335 EzDSP design is based on preliminary information (SPRS439 June 2007) for the TMS320F28335 device. This schematic is subject to change without notification. Spectrum Digital Inc. assumes no liability for applications assistance, customer product design or infringement of patents described herein.

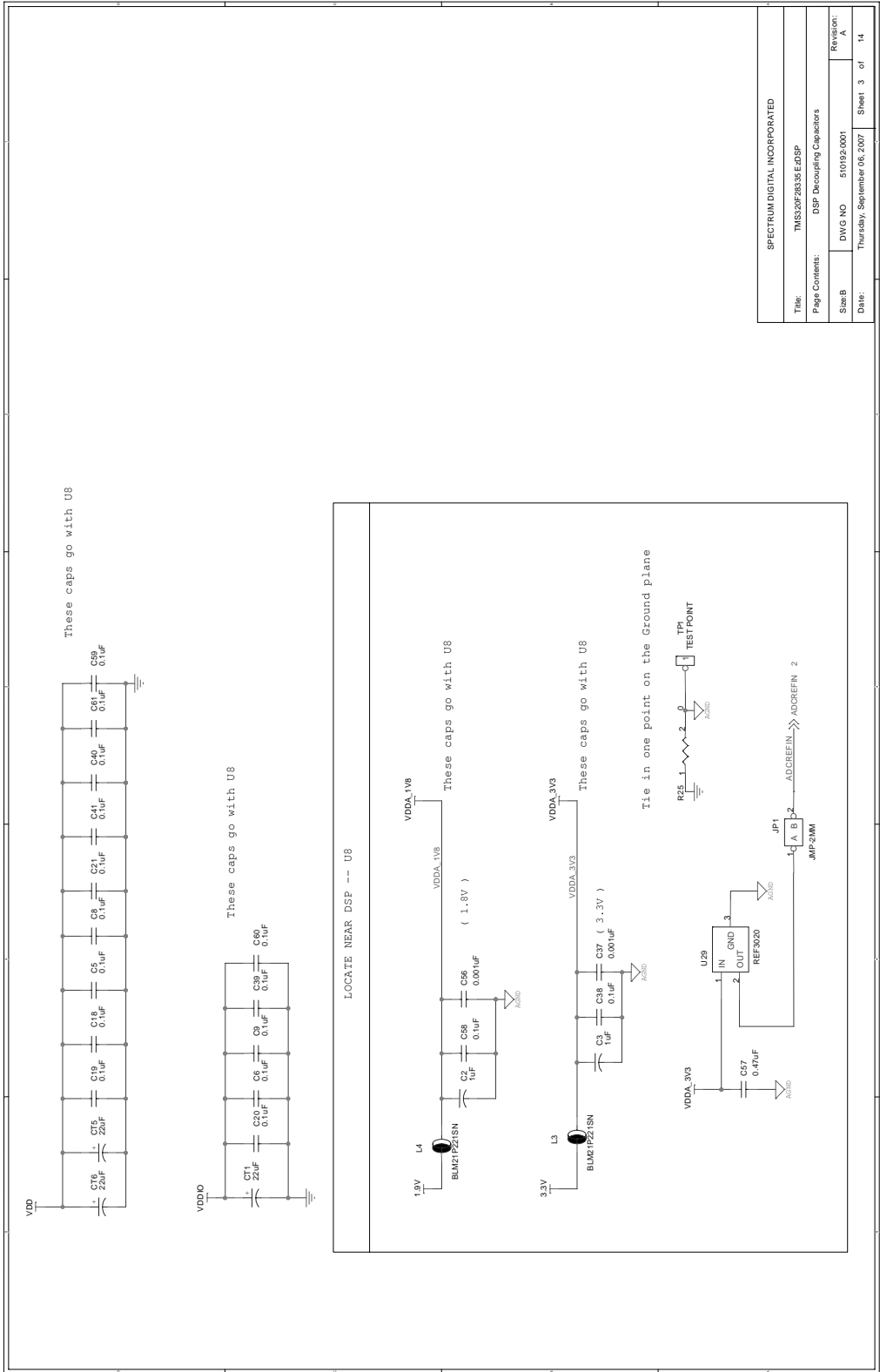
  

REV	DESCRIPTION	DATE	APPROVED
A	ALPHA RELEASE	29-July-2007	

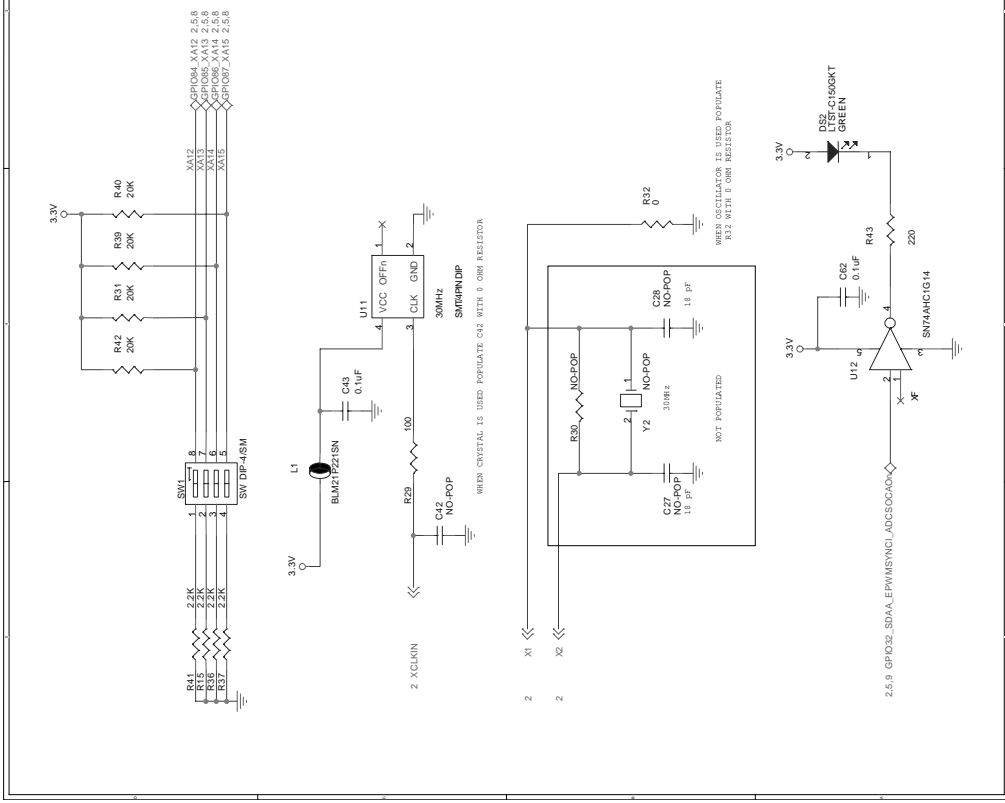
SPECTRUM DIGITAL INCORPORATED			
Title:	TMS320F28335 EzDSP		
Page Content:	Title Block		
Sheet:	DWG NO	51092-0001	Revision:
Date:	Thursday, September 06, 2007		A
	Sheet	1	of 14



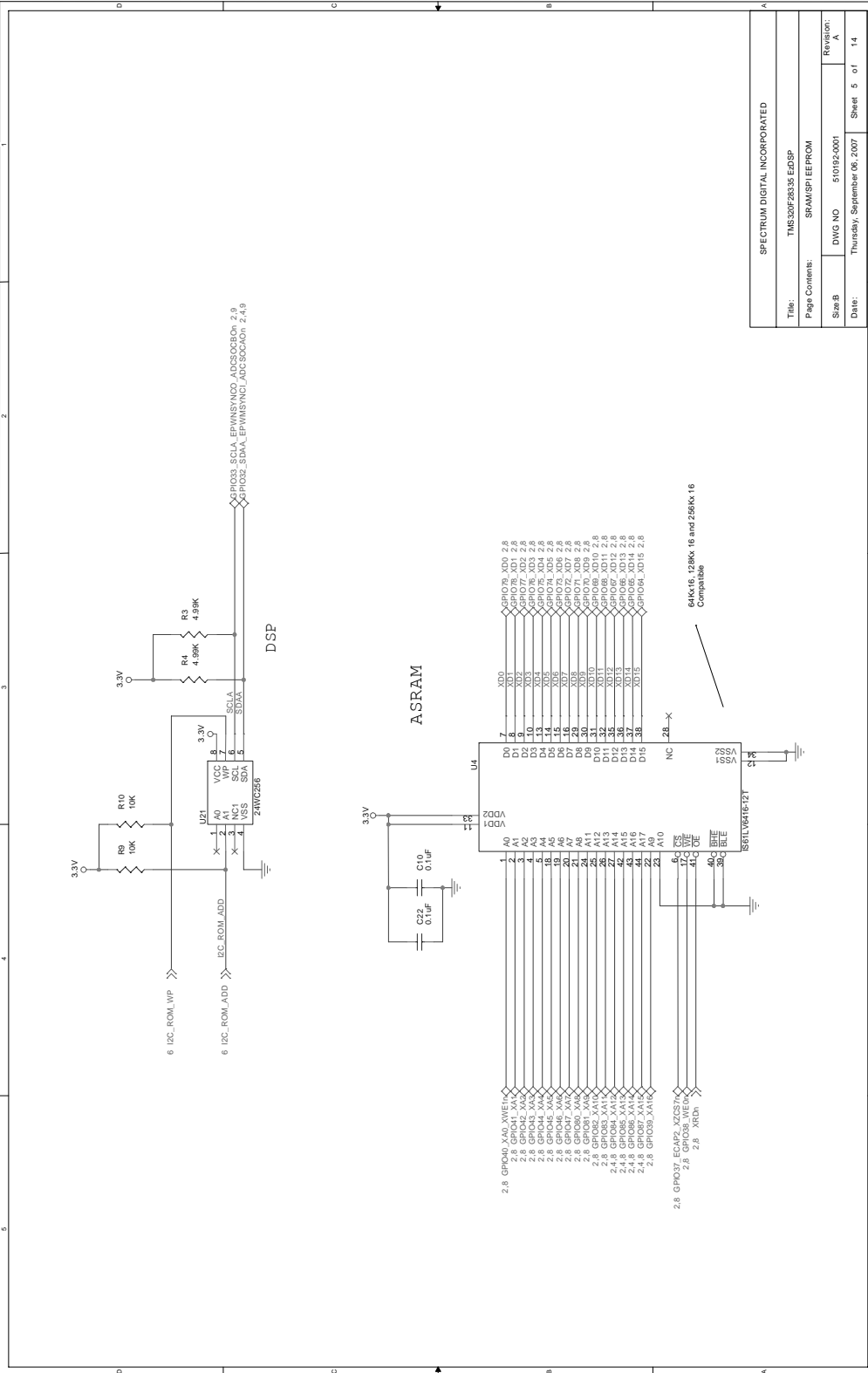


SPECTRUM DIGITAL INCORPORATED			
Title:	TMS320F28335 E2DSP		
Page Contents:	DSP Decoupling Capacitors		
Size: B	DWG NO	510192.0001	Revision: A
Date:	Thursday, September 06, 2007		Sheet 3 of 14

Pin	BOOT3 X13	BOOT2 X14	BOOT1 X15	BOOT0 X12	MODE
0000	ON	ON	ON	ON	Branch to SCI, skip ADC CAL
0001	ON	ON	ON	OFF	Branch to SARAM, skip ADC CAL
0010	ON	ON	OFF	ON	Branch to Flash, skip ADC CAL
0011	ON	ON	OFF	OFF	Branch to check boot mode
0100	ON	OFF	ON	ON	Jump to SARAM
0101	ON	OFF	ON	OFF	Parallel XINTF boot
0110	ON	OFF	OFF	ON	Parallel GPIO I/O boot
0111	ON	OFF	OFF	OFF	Jump to OTP
1000	OFF	ON	ON	ON	Jump to XINTF X32
1001	OFF	ON	ON	OFF	Jump to XINTF X16
1010	OFF	ON	OFF	ON	McSSP-A boot
1011	OFF	ON	OFF	OFF	eCAN-A boot
1100	OFF	OFF	ON	ON	I2C-A boot
1101	OFF	OFF	ON	OFF	SPI-A boot
1110	OFF	OFF	OFF	ON	SCI-A boot
1111	OFF	OFF	OFF	OFF	Jump to Flash

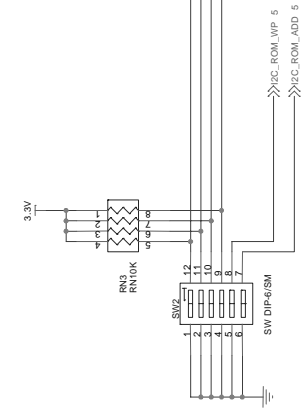
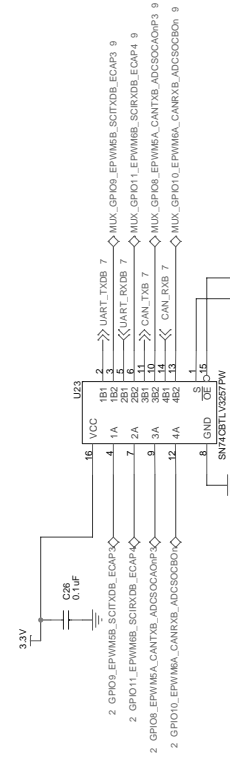
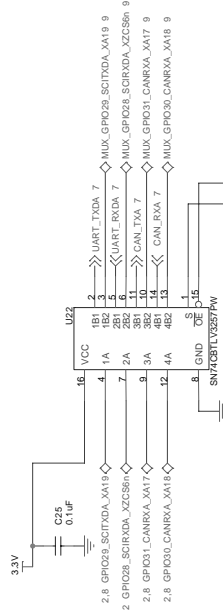


SPECTRUM DIGITAL INCORPORATED			
Title:	TMS320F28335 EoSP		
Page Contents:	Boot Switches OSC		
Sheet:	DWG NO	510192-0001	Revision: A
Date:	Thursday, September 06, 2007		Sheet 4 of 14



SPECTRUM DIGITAL INCORPORATED			
Title:	TMS320F28335 EdDSP		
Page Contents:	SRAM/SPI EEPROM		
Size B	DWG NO	510192-0001	Revision: A
Date:	Thursday, September 06, 2007		
	Sheet	5	of 14

Switch	Position	Value	Function
SW2-1	OFF	1	Select GPIO28,GPIO29,GPIO30,GPIO31 as expansion
SW2-1	ON	0	Select GPIO28,GPIO29,GPIO30,GPIO31 as on board SCI/CAN A
SW2-2	OFF	1	Disable Mux U22
SW2-2	ON	0	Enable Mux U22
SW2-3	OFF	1	Select GPIO8,GPIO9,GPIO10,GPIO11 as expansion
SW2-3	ON	0	Select GPIO8,GPIO9,GPIO10,GPIO11 as on board SCI/CAN B
SW2-4	OFF	1	Disable Mux U23
SW2-4	ON	0	Enable Mux U23
SW2-5	OFF	1	Write Protect I2C EEPROM
SW2-5	ON	0	Enable Writes to I2C EEPROM
SW2-6	OFF	1	I2C EEPROM lowest address is 1
SW2-6	ON	0	I2C EEPROM lowest address is 0



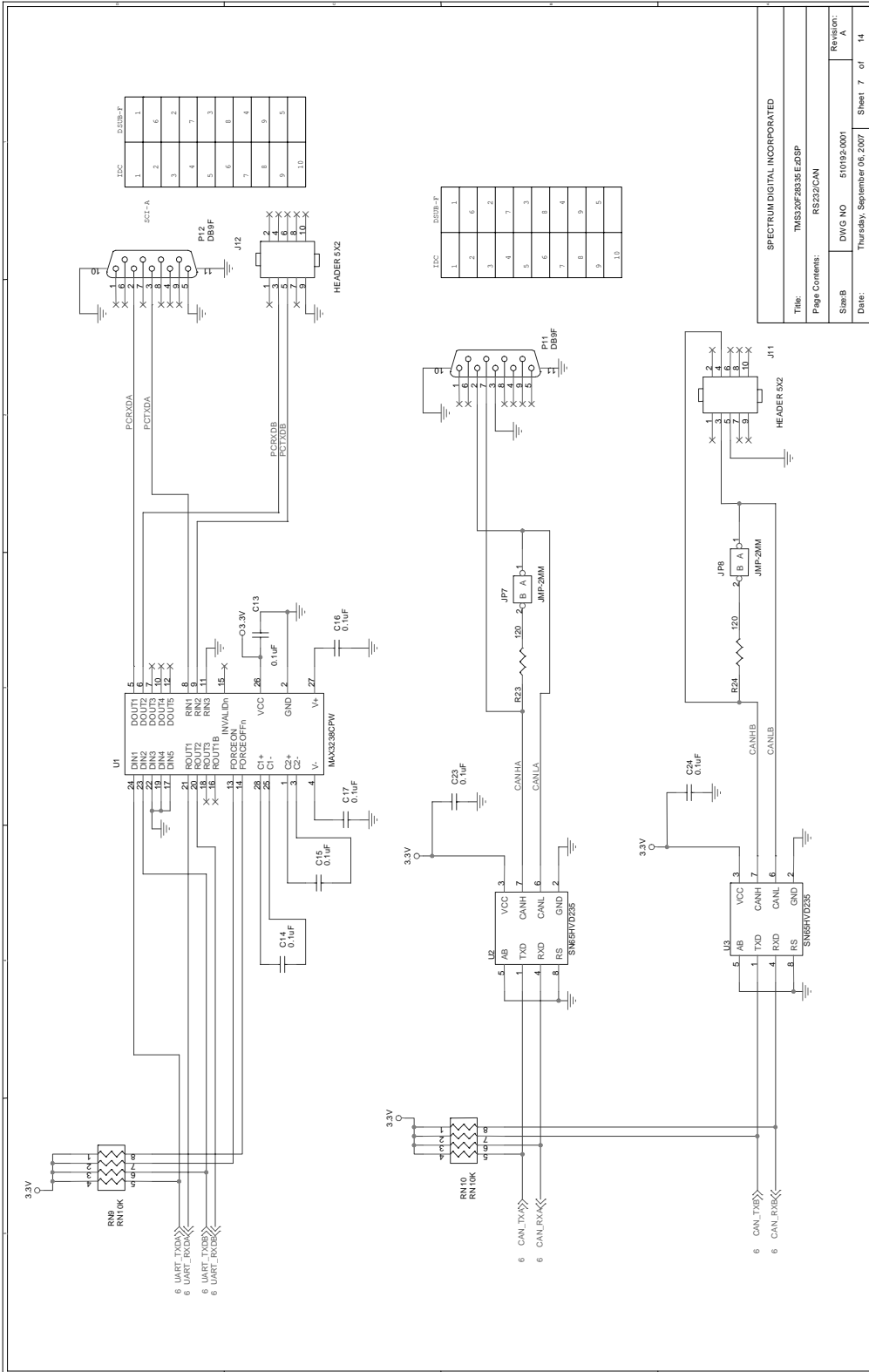
SPECTRUM DIGITAL INCORPORATED

Title: TMS320F28335 E2DSP

Page Contents: I/O MULTIPLEXING

Sheet B DWG NO 510192-0001 Revision: A

Date: Tuesday, September 11, 2007 Sheet 6 of 13

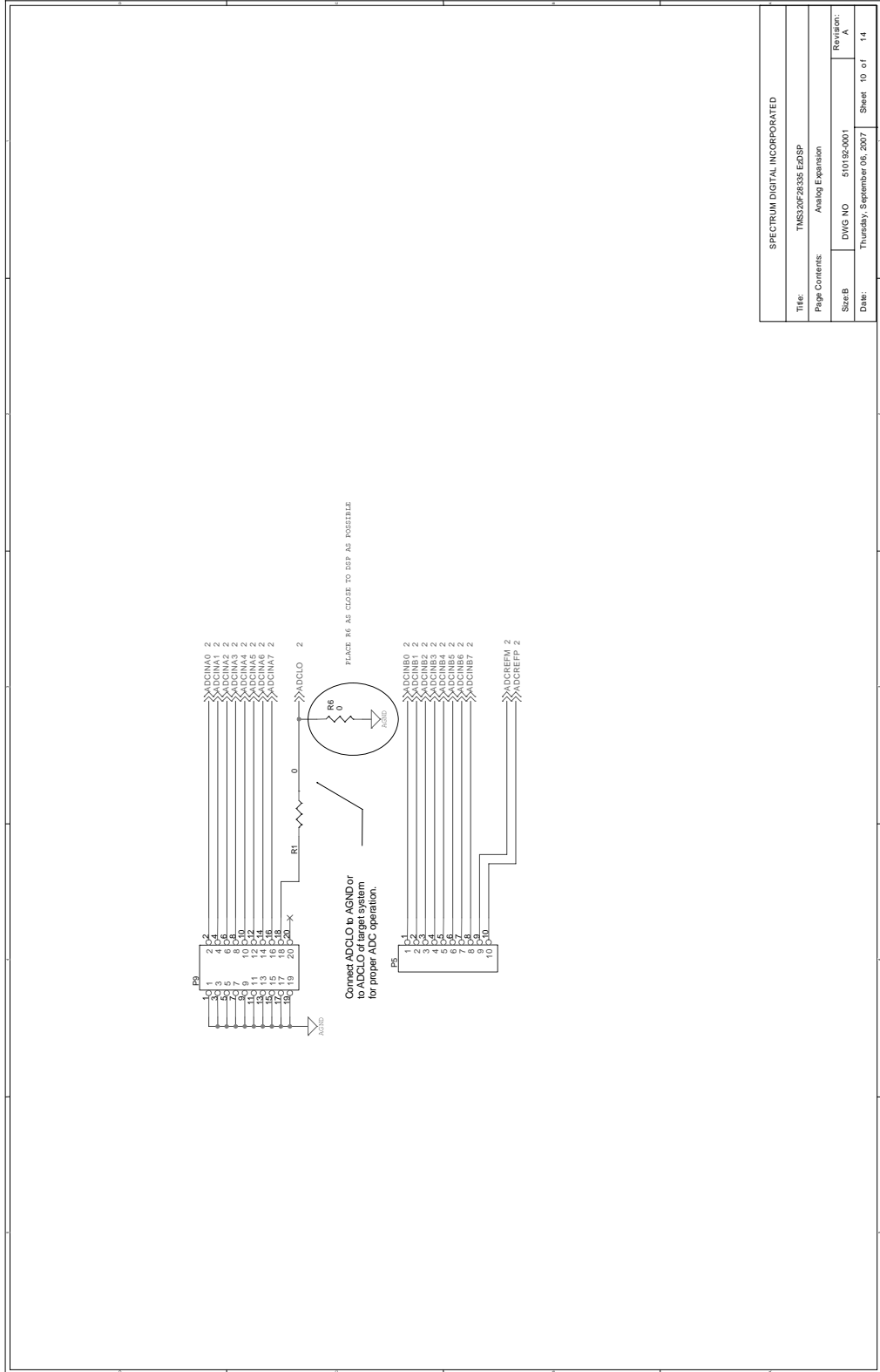


SPECTRUM DIGITAL INCORPORATED	
Title:	TMS320F28335 E2DSP
Page Contents:	RS232/CAN
Sheet:	DWG NO 51092-0001
Date:	Thursday, September 06, 2007
Revision:	A
Sheet:	7 of 14



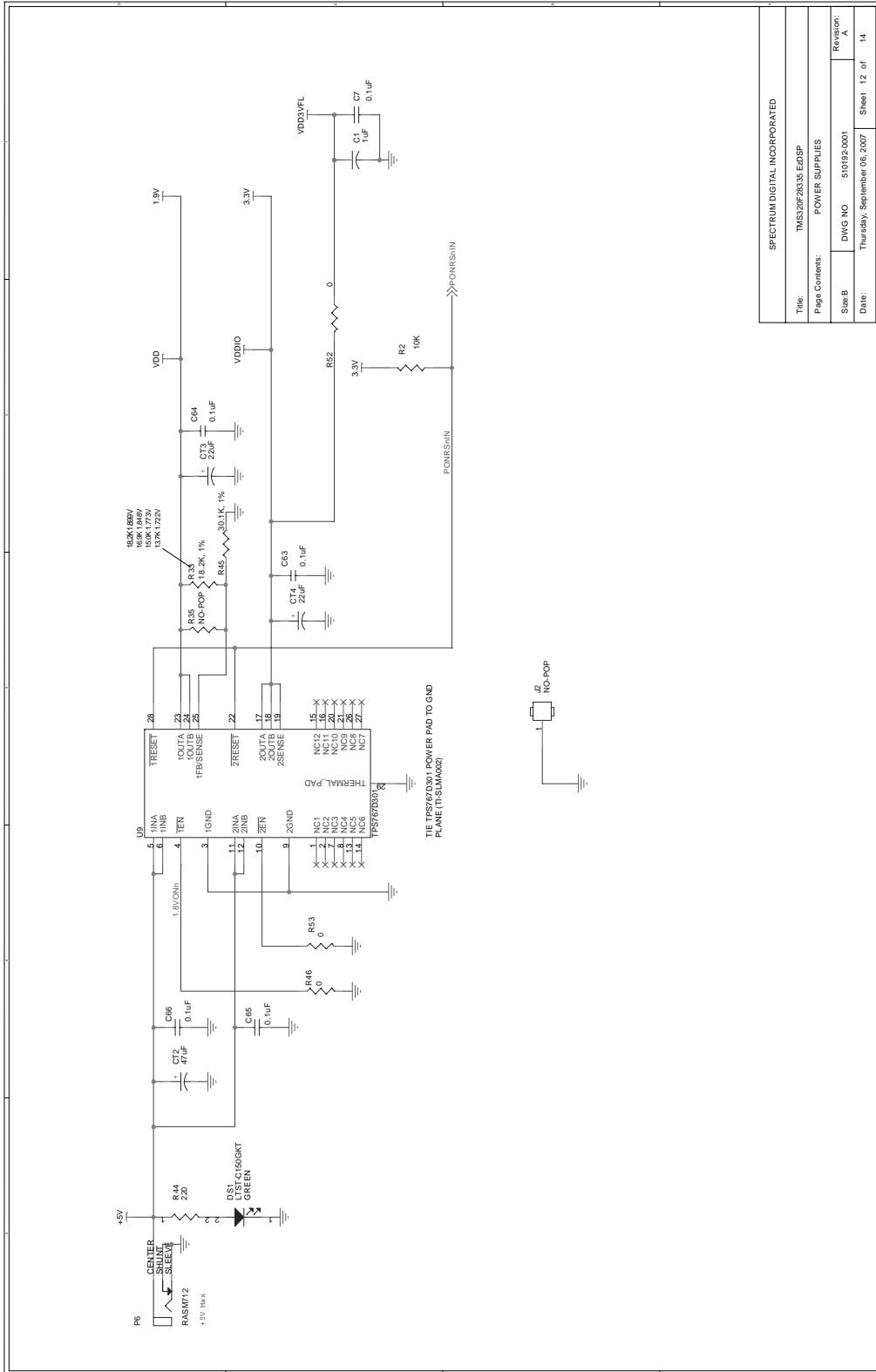






SPECTRUM DIGITAL INCORPORATED			
Title:	TMS320F2335 EZDSP		
Page Contents:	Analog Expansion		
Size: B	DWG NO	510192-0001	Revision: A
Date:	Thursday, September 06, 2007	Sheet	10 of 14





SPECTRUM DIGITAL INCORPORATED			
Title:	TMS320F28335 E2DSP	POWER SUPPLIES	
Page Contents:	POWER SUPPLIES		
Sheet:	DWG NO	510192-0001	Revision:
Date:	Thursday, September 06, 2007	Sheet 12 of 14	A

