

# RIT

FULL ASSEMBLY

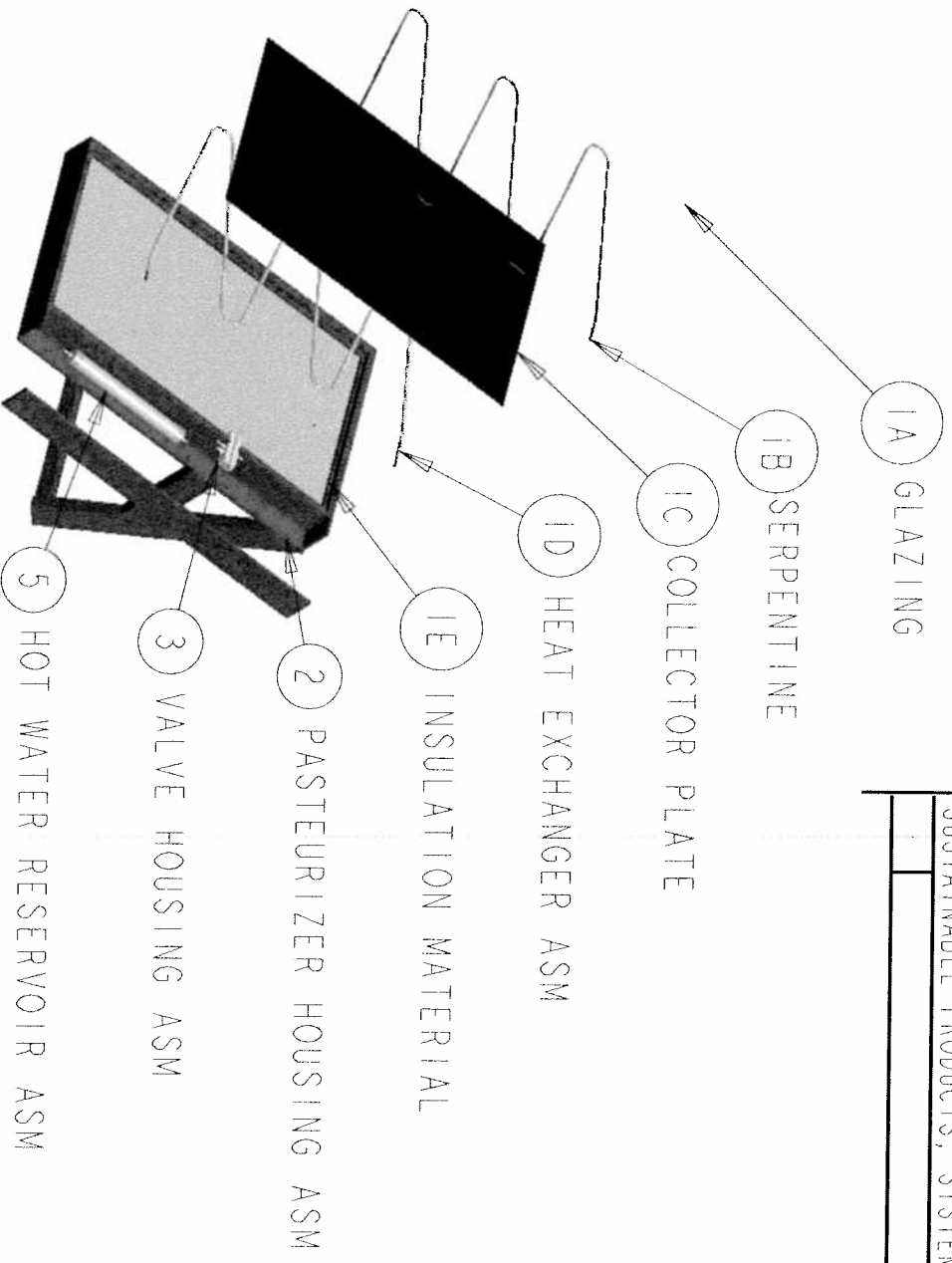
SECOND GEN SOLAR PASTEURIZER  
MSD PROJECT P08404

1 2

REVISION B

05/15/08

SCALE 0.050



SCALE 0.040

# RIT

EXPLODED VIEW EXCLUDING PLUMBING

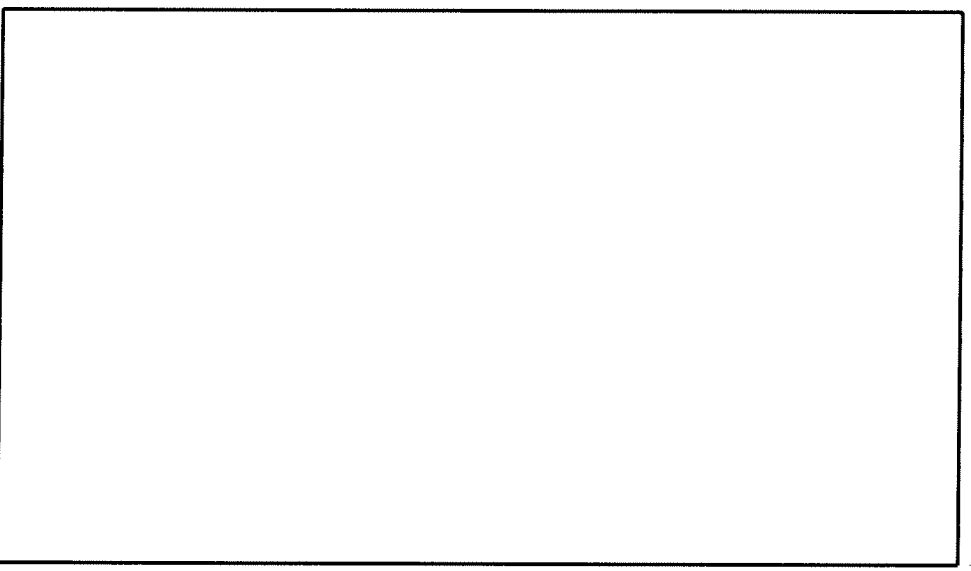
SECOND GEN SOLAR PASTEURIZER  
MSD PROJECT P08404

REVISION B

05/15/08

- 1A
- 1B
- 1C
- 1D
- 1E
- 2
- 3
- 4

30.00



SCALE 0.100

0.125 THICK

52.00

SUSTAINABLE PRODUCTS, SYSTEMS, AND TECHNOLOGIES TRACT

# RIT

GLAZING QTY 1

1A

SECOND GEN SOLAR PASTEURIZER  
MSD PROJECT P08404

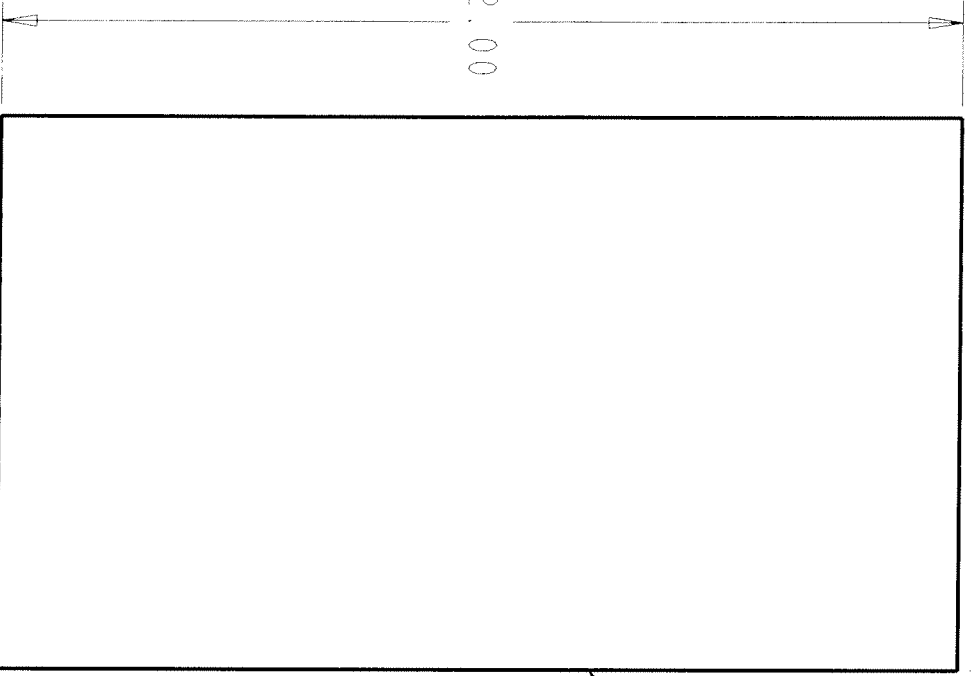
REVISION B

05/15/08

SUSTAINABLE PRODUCTS, SYSTEMS, AND TECHNOLOGIES TRACT

30.00

52.00



1/16" THICK

SCALE 0.100

# RIT

COLLECTOR PLATE

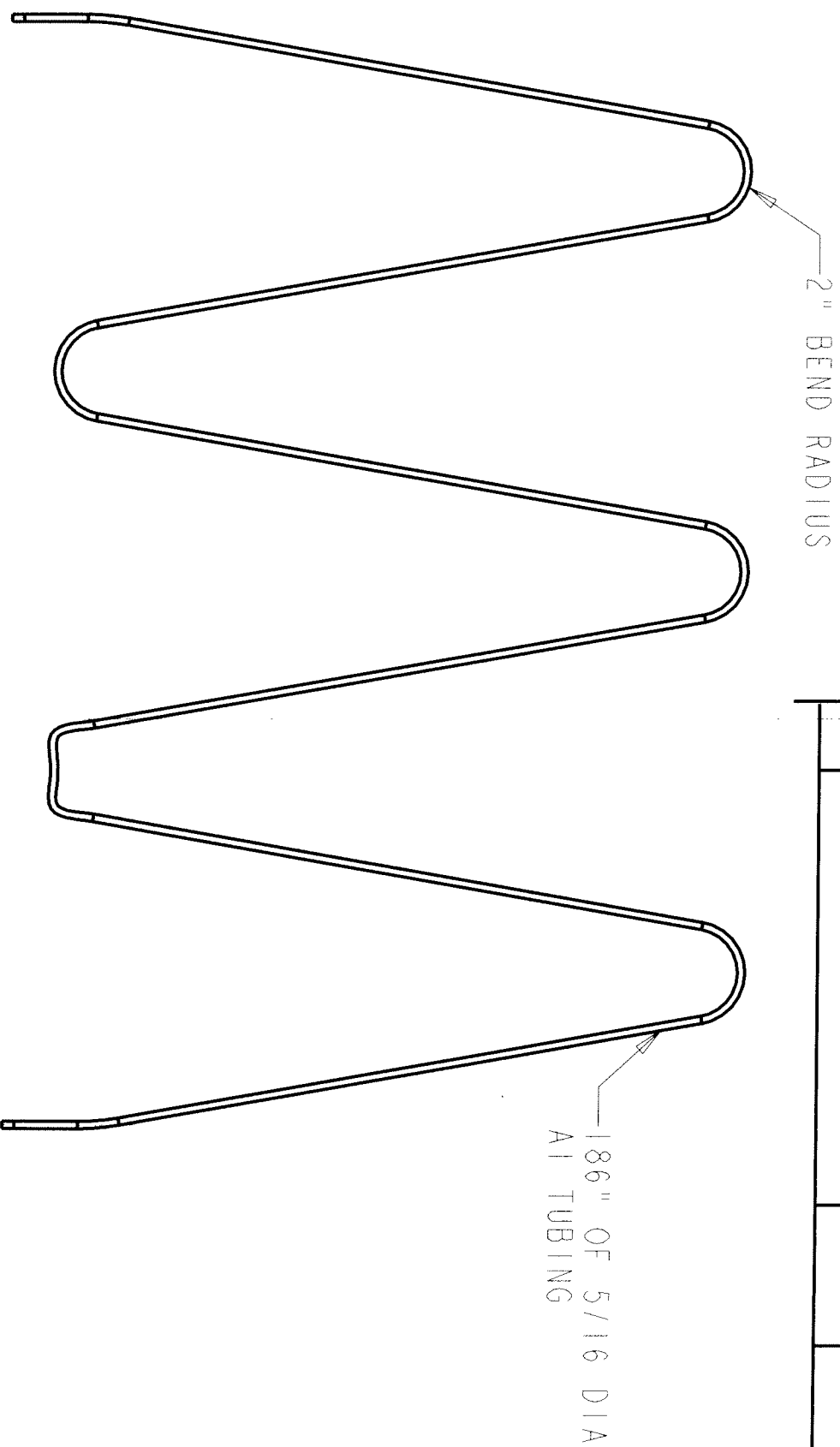
(1C)

SECOND GEN SOLAR PASTEURIZER  
MSD PROJECT P08404

REVISION B

05/15/08

SUSTAINABLE PRODUCTS, SYSTEMS, AND TECHNOLOGIES TRACT



SCALE 0.150

# RIT

SERPENTINE QTY 1

(1B)

SECOND GEN SOLAR PASTEURIZER  
MSD PROJECT P08404

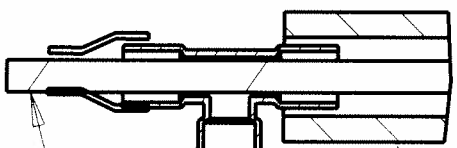
REVISION B

05/15/08

20 FT OF TUBING BENT TO FIT UNDER PLATE

SEE DETAIL A

SUSTAINABLE PRODUCTS, SYSTEMS, AND TECHNOLOGIES TRACT



TEE, BARBED, 1/2" TUBE ID  
MCMMASTER 5372K618  
QTY 2

1/2 ID SANTOPRENE TUBING

5/16" AI TUBING

DETAIL A  
SCALE 1.000

SANTOPRENE TUBING HOSE CLAMPED OVER TEE.  
WHERE ALL TUBING EMERGES, SHORT LENGTH OF SANTOPRENE TUBING HOSE CLAMPED FOR SEAL.

SECTION A-A  
SCALE 0.125

**RIT**

HEAT EXCHANGER ASM

1D

SECOND GEN SOLAR PASTEURIZER  
MSD PROJECT P08404

REVISION B

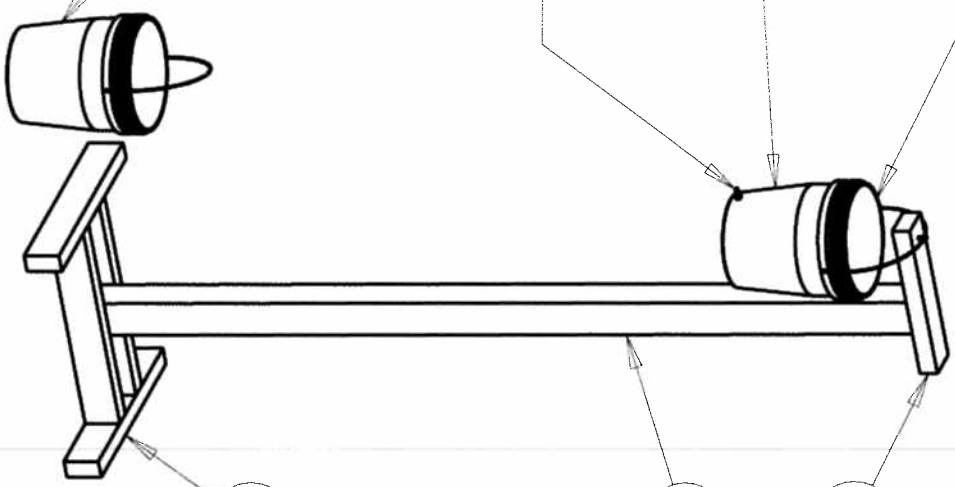
05/15/08

LID  
USPLASTIC.COM #22272  
QTY 2

BUCKET  
USPLASTIC.COM #22711  
QTY 2

FITTING FOR 3/8" ID TUBE  
MCMMASTER #5463K85  
QTY 2

OUTPUT BUCKET



2C  
STAND ARM  
QTY 1

2A  
STAND VERTICAL  
QTY 1

2B  
STAND BASE  
QTY 4

2A 2B 2C

SCALE 0.050

# RIT

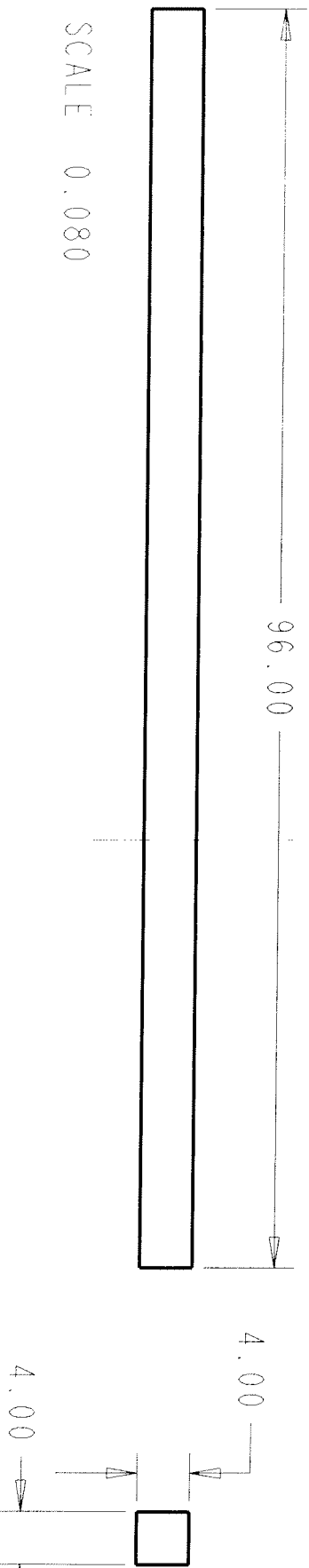
STAND ASM

SECOND GEN SOLAR PASTEURIZER  
MSD PROJECT P08404

REVISION B

05/15/08

SUSTAINABLE PRODUCTS, SYSTEMS, AND TECHNOLOGIES TRACT



PRESSURE TREATED 4X4X12'

# RIT

STAND VERTICAL

2A

SECOND GEN SOLAR PASTEURIZER  
MSD PROJECT P08404

REVISION B

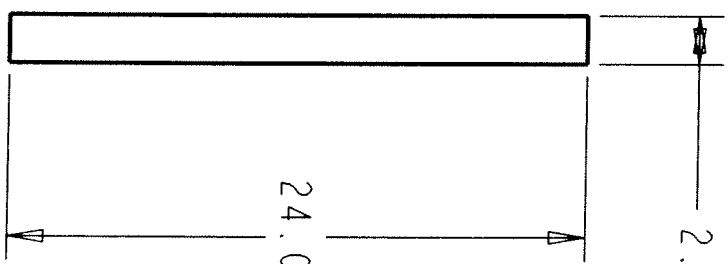
05/15/08



4.00



2.00



24.00

# RIT

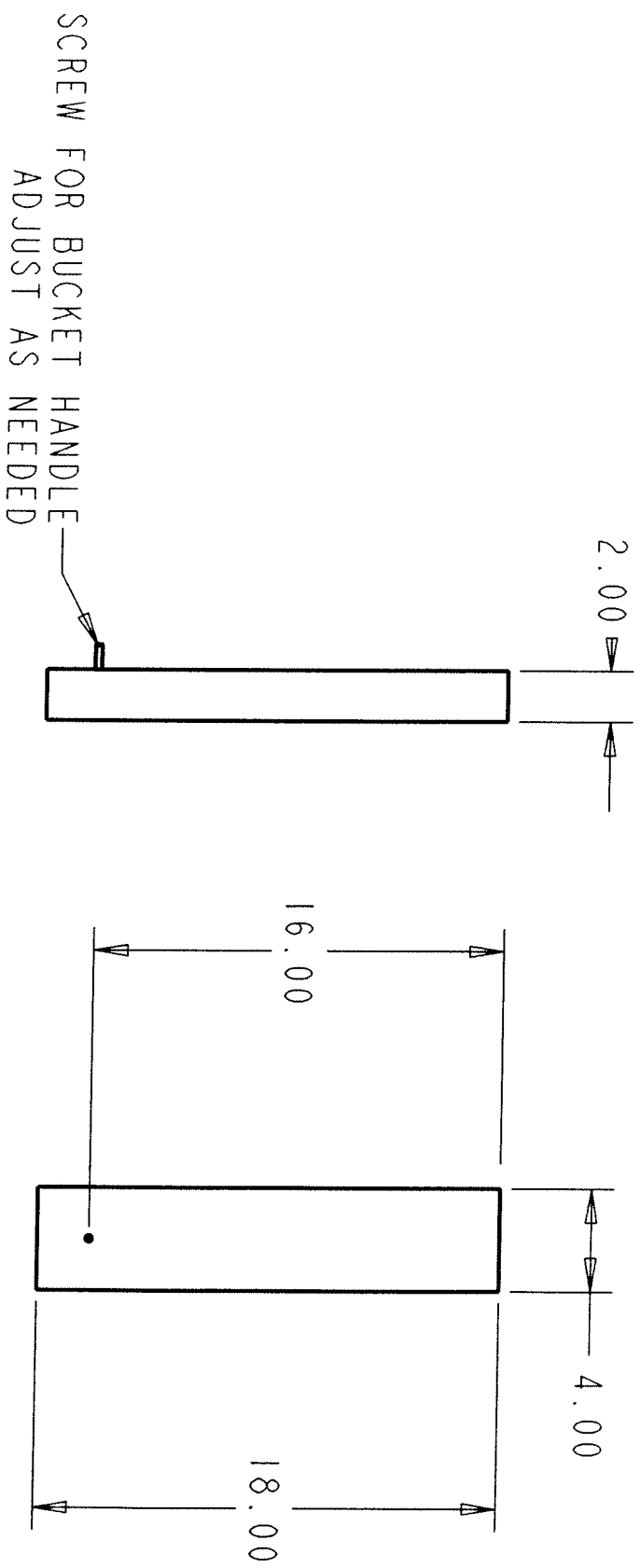
STAND BASE

SECOND GEN SOLAR PASTEURIZER  
MSD PROJECT P08404

2B

REVISION A

02/17/08



# RIT

STAND ARM  
SECOND GEN SOLAR PASTEURIZER  
MSD PROJECT P08404

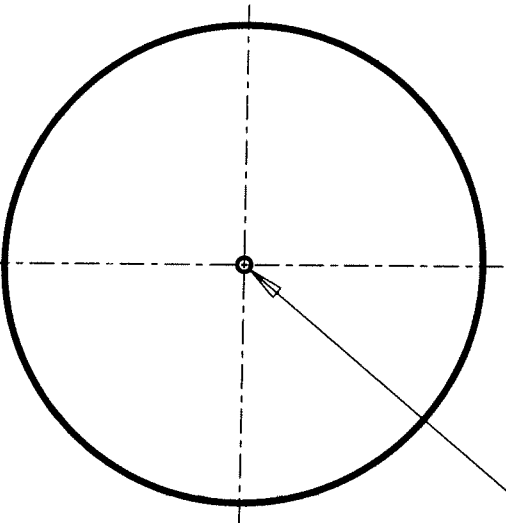
2C

REVISION A

02/17/08

MODIFY (1) LID AS SHOWN  
FOR TUBE CONNECTION

SUSTAINABLE PRODUCTS, SYSTEMS, AND TECHNOLOGIES TRACT



Ø .38  
DRILL THRU FOR  
MCMASTER #5463K85

SCALE 0.200

# RIT

LID - USPLASTIC.COM #2272

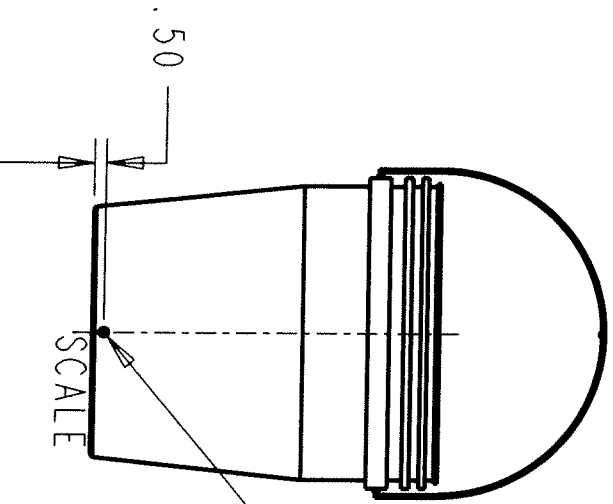
SECOND GEN SOLAR PASTEURIZER  
MSD PROJECT P08404

REVISION A

02/17/08

MODIFY (1) BUCKET AS SHOWN  
FOR TUBE CONNECTION

SUSTAINABLE PRODUCTS, SYSTEMS, AND TECHNOLOGIES TRACT



DRILL THRU FOR  
MCMASTER #5463K85

# RIT

BUCKET - USPLASTIC.COM #2271

SECOND GEN SOLAR PASTEURIZER  
MSD PROJECT P08404

REVISION A

02/17/08

5/16" TUBE X 1/8" NPTF  
 BRASS COMPRESSION FITTING QTY 2  
 5220K67

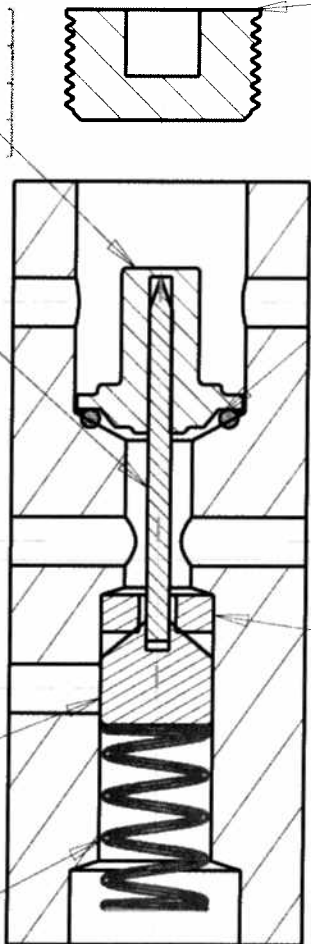
SUSTAINABLE PRODUCTS, SYSTEMS, AND TECHNOLOGIES TRACT

O-RING, SILICONE  
 9396K32

5/16" TUBE X 1/8" NPTF  
 BRASS BARBED FITTING QTY 3  
 5346K15

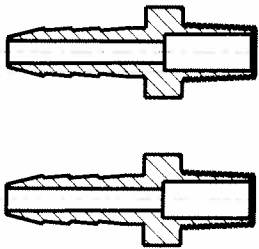
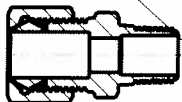
1" AL PIPE CAP  
 44705K387

1" PLASTIC PIPE CAP  
 48335K156



160F MARINE VALVE  
 MARINEPARTS.COM  
 18-3552

PISTON  
 3A



3B SHUTTLE, STAINLESS

3D VALVE SPRING  
 9435K154

SECTION B-B  
 SCALE 0.800

**RIT**

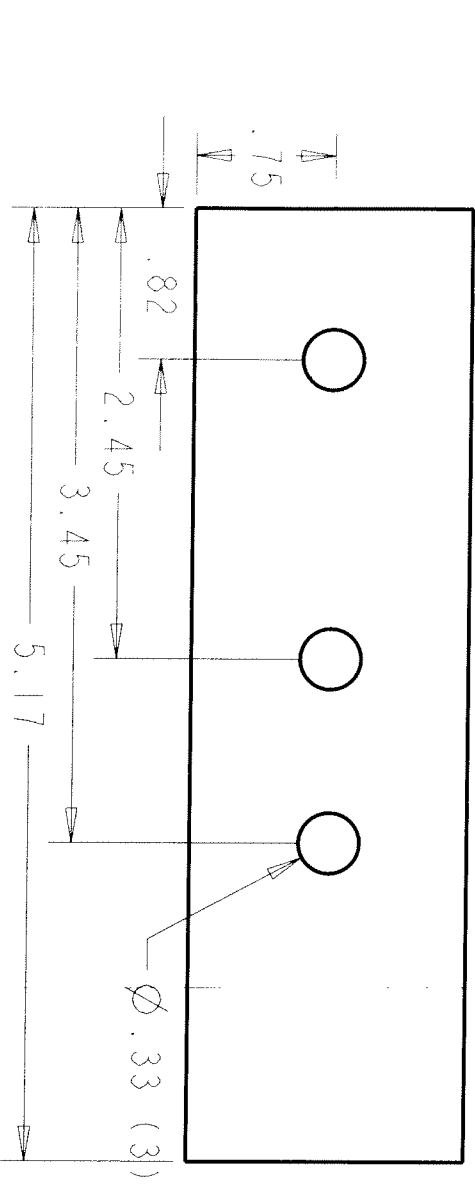
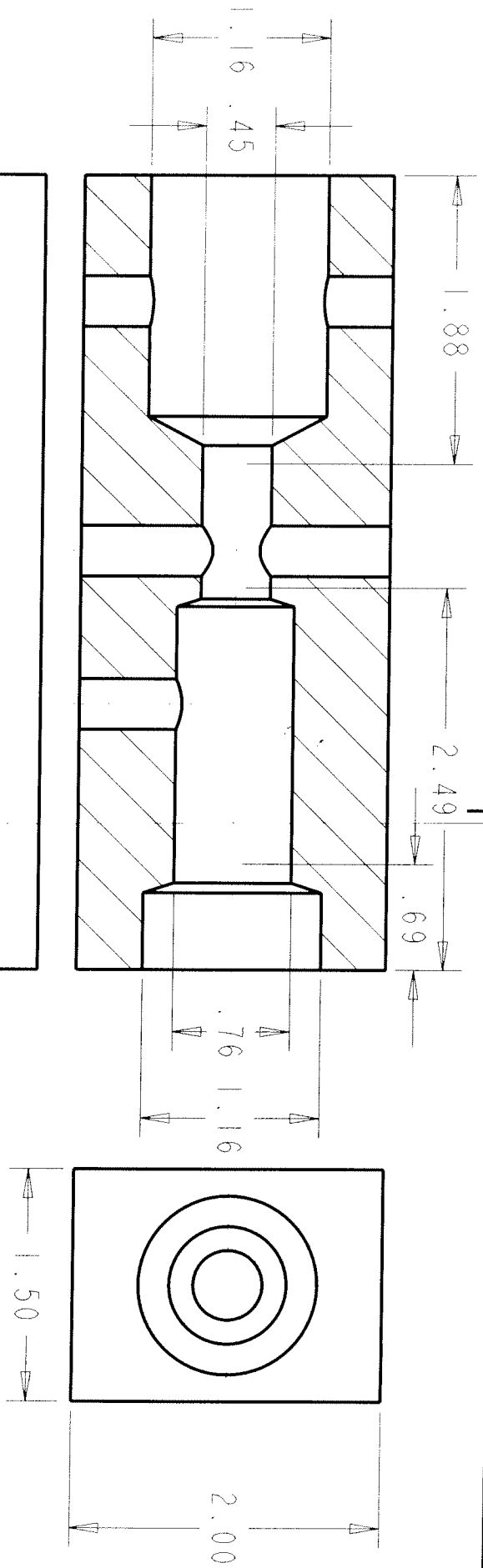
VALVE HOUSING ASM

3A 3B 3C 3D

SECOND GEN SOLAR PASTEURIZER  
 MSD PROJECT P08404

REVISION B

05/15/08



SECTION A-A  
SCALE 1.000

# RIT

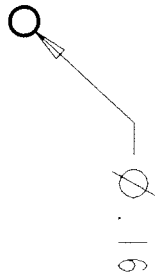
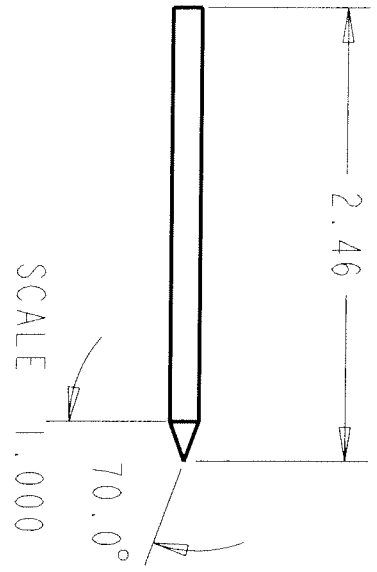
VALVE HOUSING

SECOND GEN SOLAR PASTEURIZER  
MSD PROJECT P08404

REVISION B

AL BAR STOCK  
MCMASTER 8975K254

05/15/08



STAINLESS ROD

**RIT**

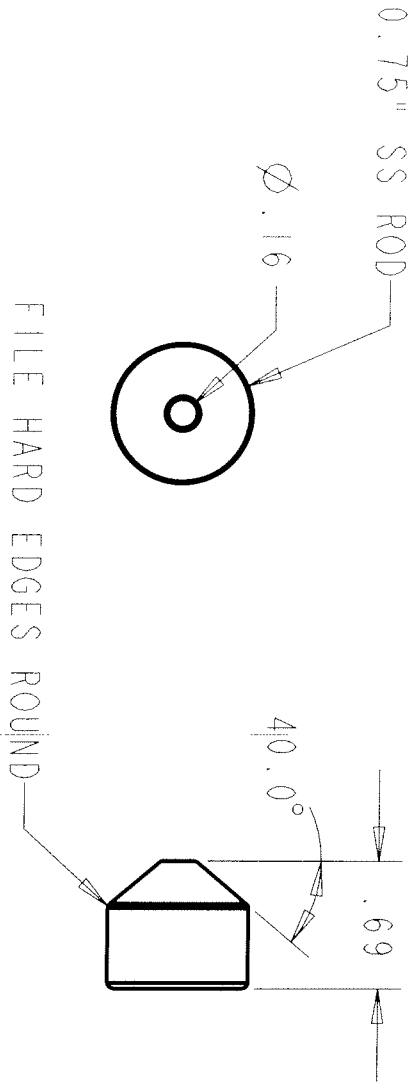
PISTON

3A

SECOND GEN SOLAR PASTEURIZER  
MSD PROJECT P08404

REVISION B

05/15/08



SCALE 1.000

# RIT

SHUTTLE

SECOND GEN SOLAR PASTEURIZER  
MSD PROJECT P08404

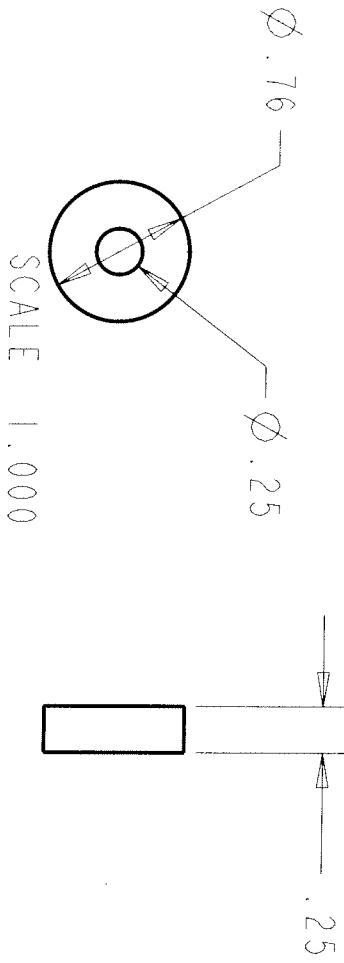
3B

REVISION B

05/15/08



SUSTAINABLE PRODUCTS, SYSTEMS, AND TECHNOLOGIES TRACT



SILICONE TUBING  
MCMASTER 5546T111

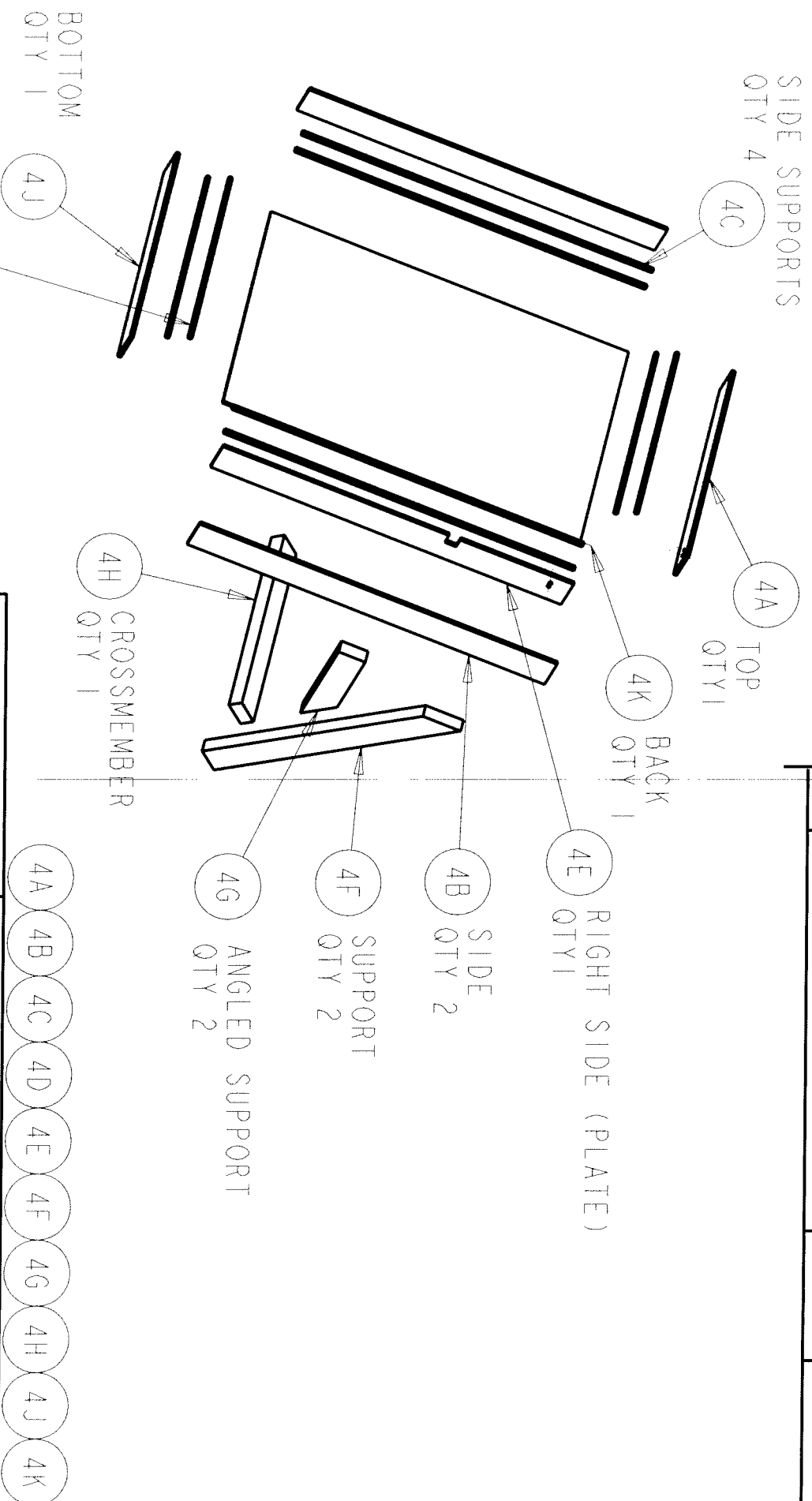
# RIT

SEAT SEAL

SECOND GEN SOLAR PASTEURIZER  
MSD PROJECT P08404

3C

REVISION B  
05/15/08



**RIT**

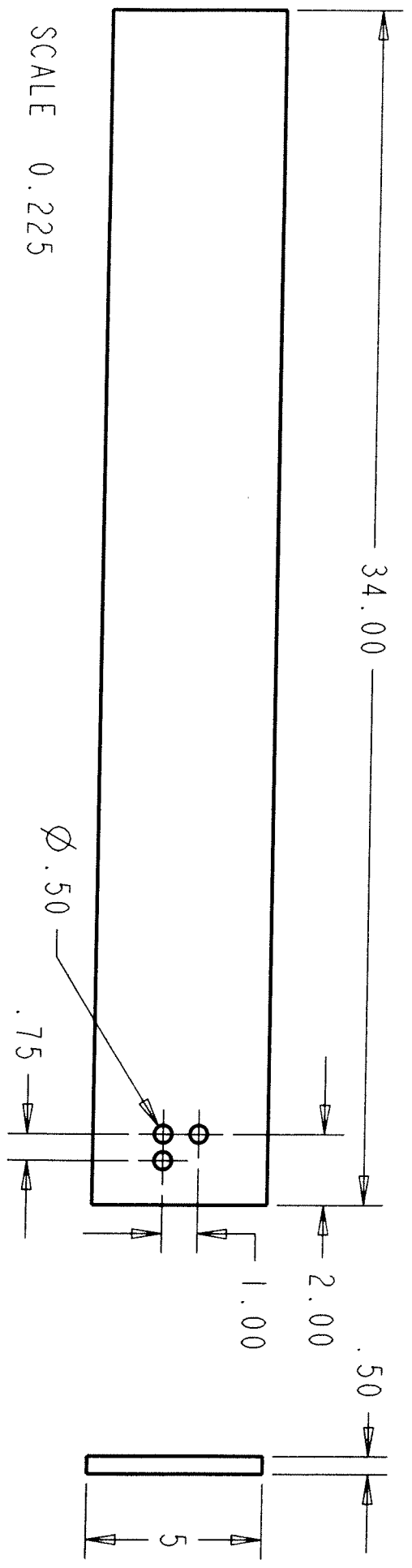
HOUSING ASM

SECOND GEN SOLAR PASTEURIZER  
MSD PROJECT P08404

REVISION B

SCALE 0.050

05/15/08



SCALE 0.225

# RIT

TOP QTY 1

4A

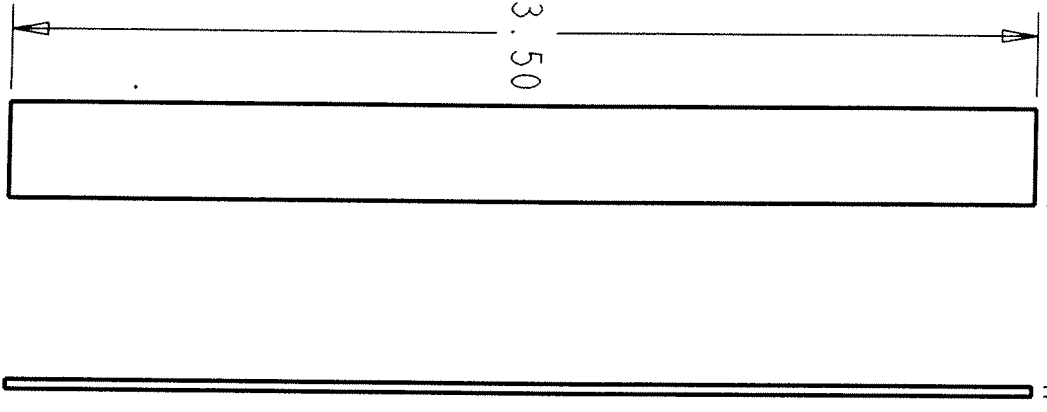
SECOND GEN SOLAR PASTEURIZER  
MSD PROJECT P08404

REVISION A

02/17/08

SUSTAINABLE PRODUCTS, SYSTEMS, AND TECHNOLOGIES TRACT

5  
53.50  
.50



SCALE 0.100

**RIT**

SIDE QTY 2

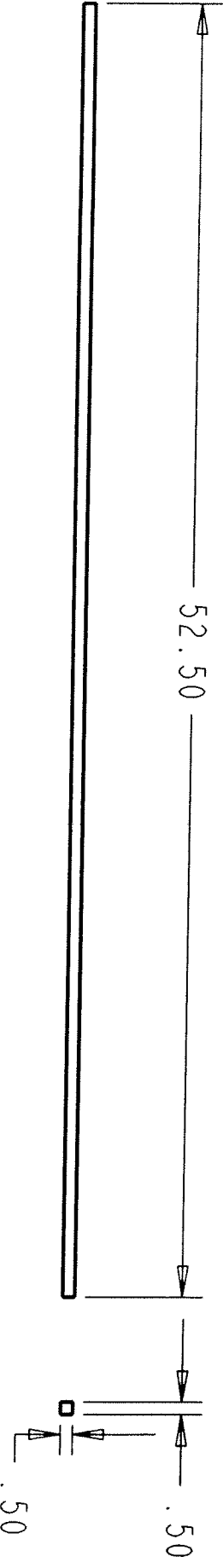
4B

SECOND GEN SOLAR PASTEURIZER  
MSD PROJECT P08404

REVISION A

02/17/08

SUSTAINABLE PRODUCTS, SYSTEMS, AND TECHNOLOGIES TRACT



SCALE 0.150

# RIT

SIDE SUPPORTS QTY 4

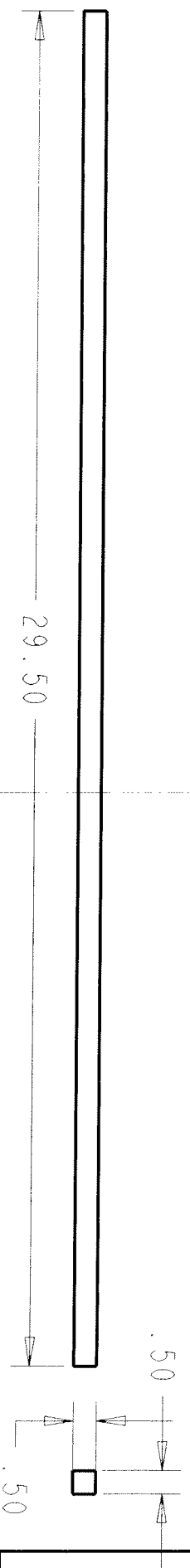
4C

SECOND GEN SOLAR PASTEURIZER  
MSD PROJECT P08404

REVISION A

02/17/08

SUSTAINABLE PRODUCTS, SYSTEMS, AND TECHNOLOGIES TRACT



# RIT

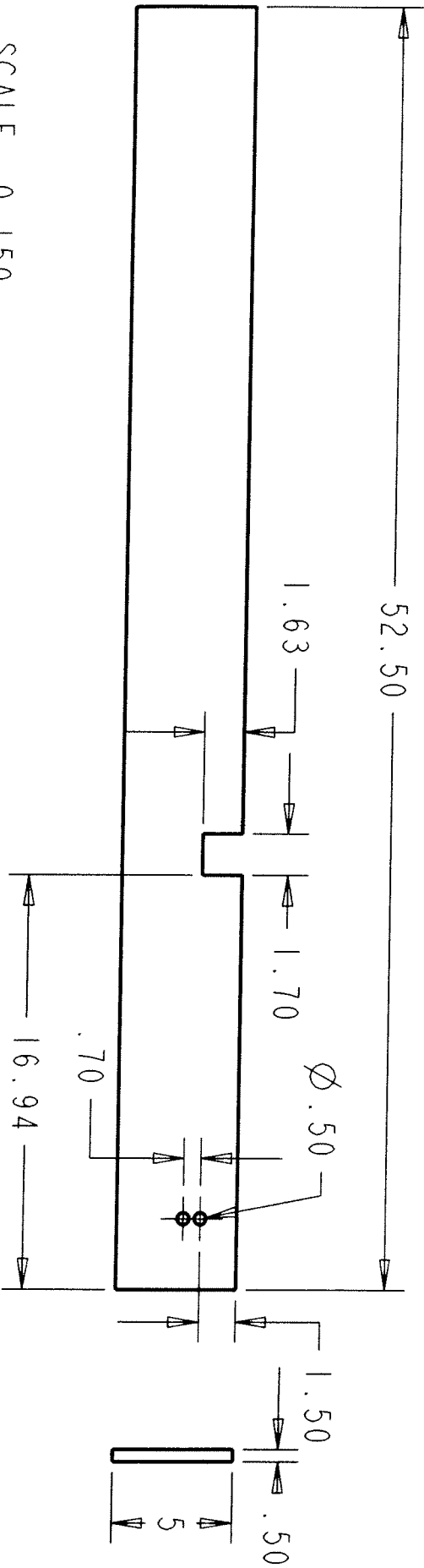
TOP/BOT SUPPORT QTY 4

4D

SECOND GEN SOLAR PASTEURIZER  
MSD PROJECT P08404

REVISION B

05/15/08



SCALE 0.150

# RIT

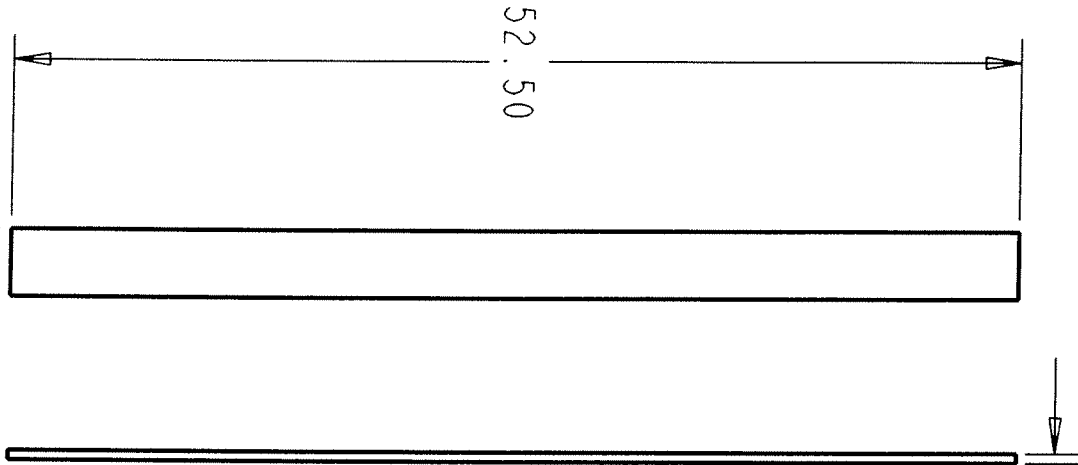
RIGHT SIDE (PLATE) QTY 1

4E

SECOND GEN SOLAR PASTEURIZER  
MSD PROJECT P08404

REVISION A

02/17/08



# RIT

COVER QTY 1

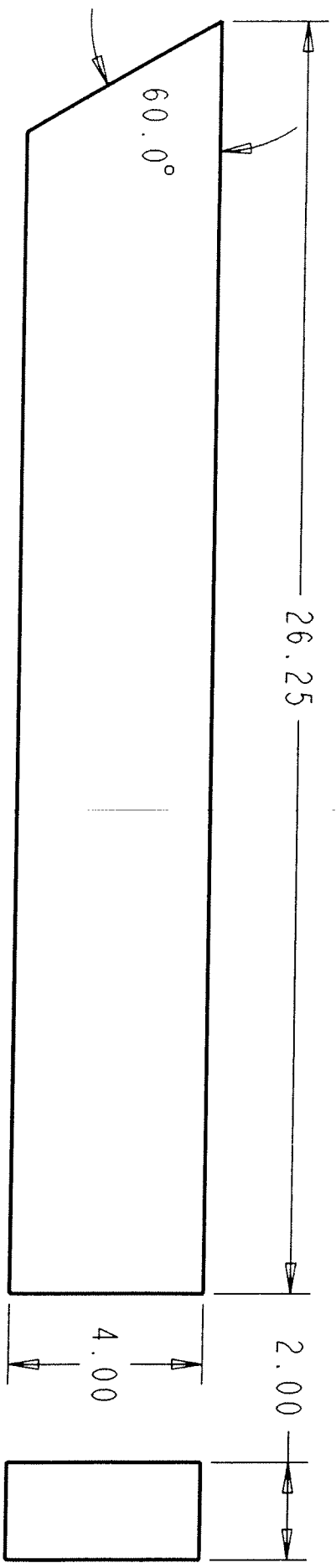
4F

SECOND GEN SOLAR PASTEURIZER  
MSD PROJECT P08404

SCALE 0.100

REVISION A  
02/17/08





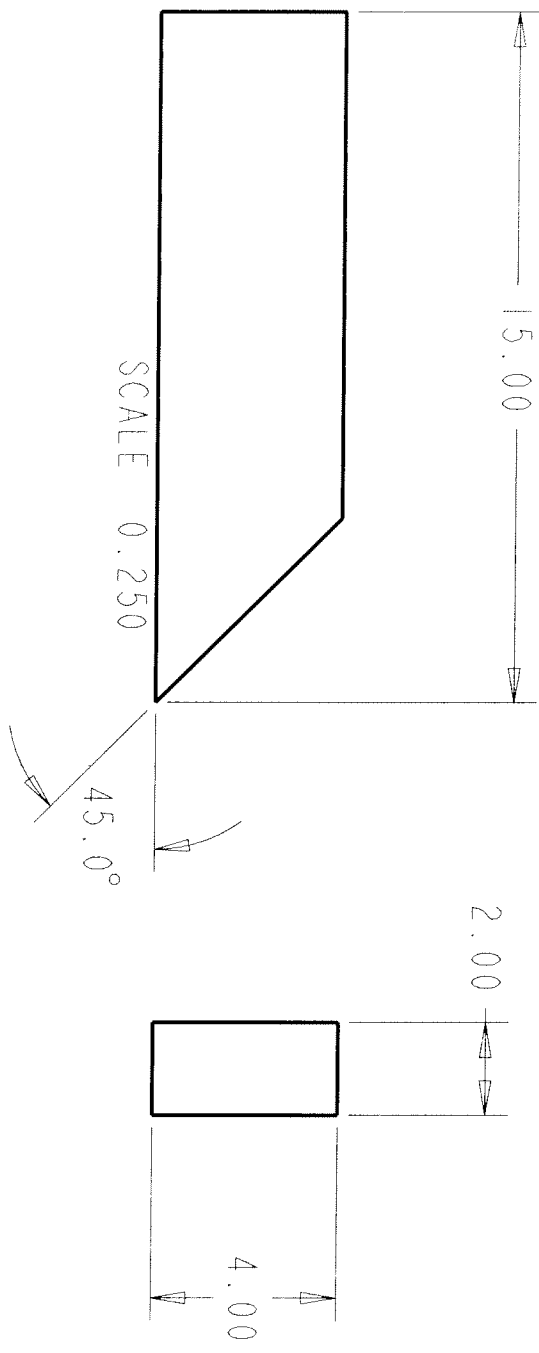
# RIT

SUPPORT QTY 2

SECOND GEN SOLAR PASTEURIZER  
MSD PROJECT P08404

REVISION A

02/17/08



PRESSURE TREATED 2X4

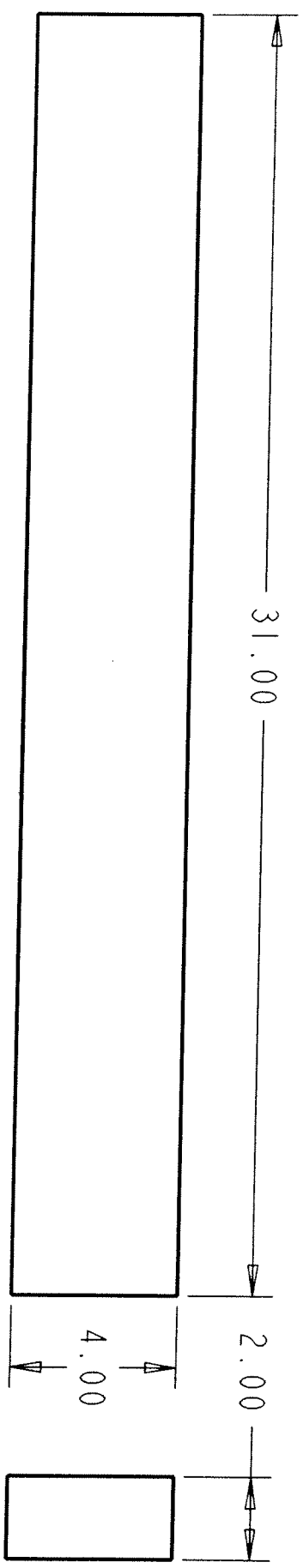
# RIT

ANGLE SUPPORT QTY 2

SECOND GEN SOLAR PASTEURIZER  
MSD PROJECT P08404

46

REVISION B  
05/15/08



SCALE 0.250

# RIT

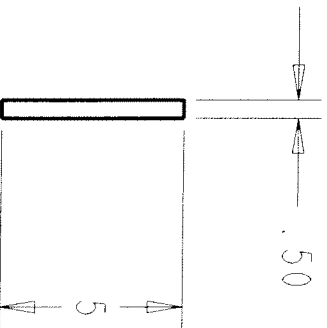
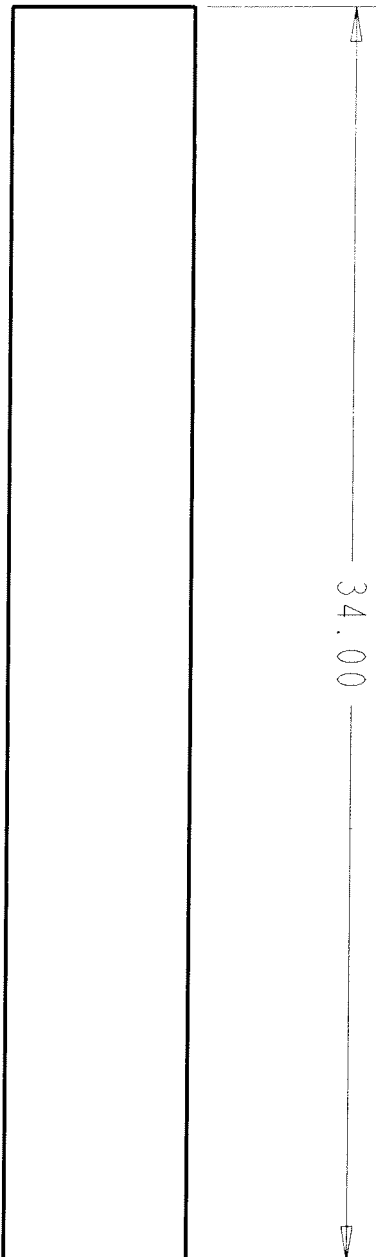
CROSSMEMBER QTY 1

SECOND GEN SOLAR PASTEURIZER  
MSD PROJECT P08404

4H

REVISION A  
02/17/08

SUSTAINABLE PRODUCTS, SYSTEMS, AND TECHNOLOGIES TRACT



SCALE 0.200

# RIT

BOTTOM QTY 1

4J

SECOND GEN SOLAR PASTEURIZER  
MSD PROJECT P08404

REVISION B

05/15/08

SUSTAINABLE PRODUCTS, SYSTEMS, AND TECHNOLOGIES TRACT

35.00

53.50

.50

SCALE 0.075

# RIT

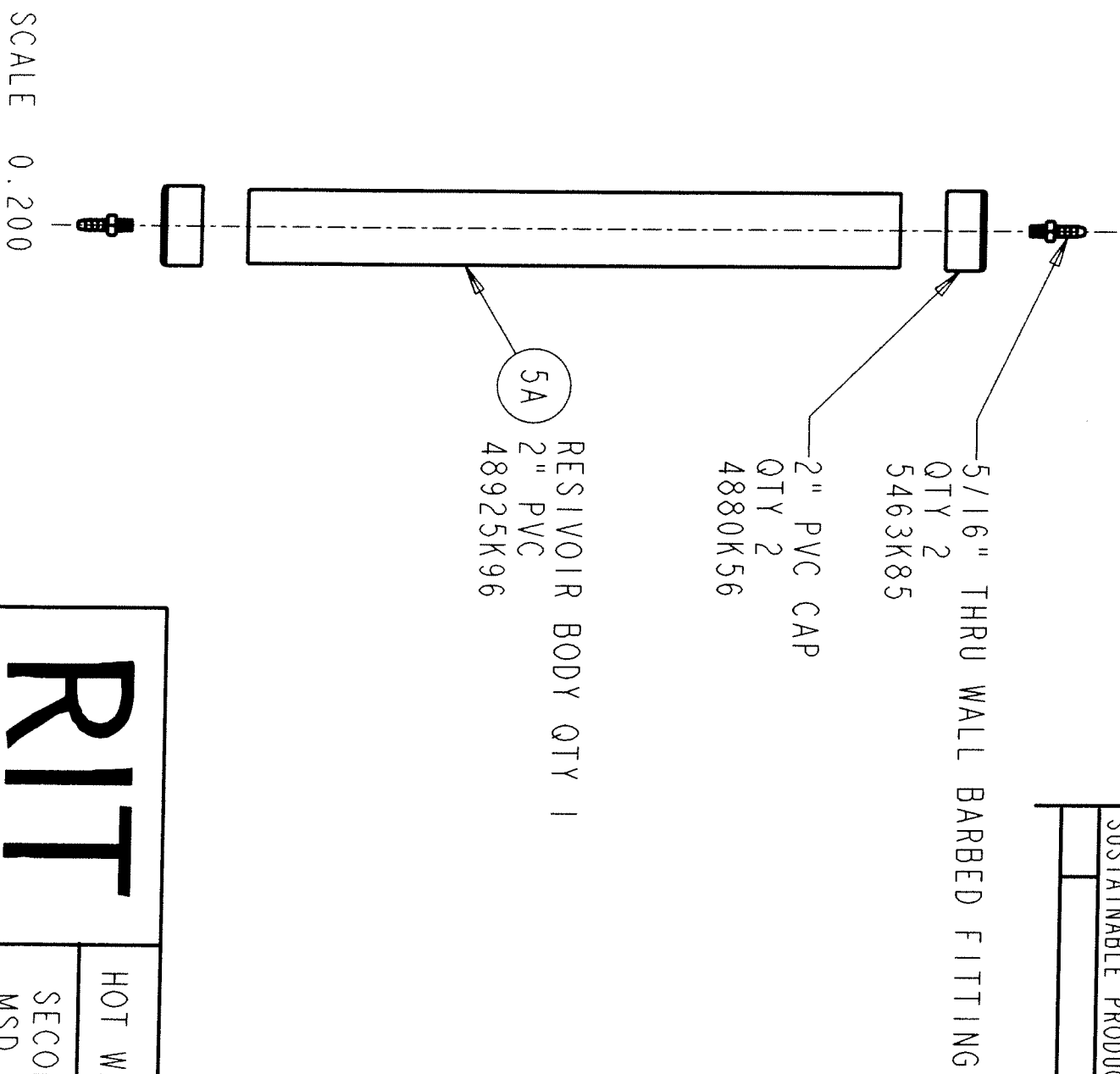
BACK QTY 1

4K

SECOND GEN SOLAR PASTEURIZER  
MSD PROJECT P08404

REVISION B

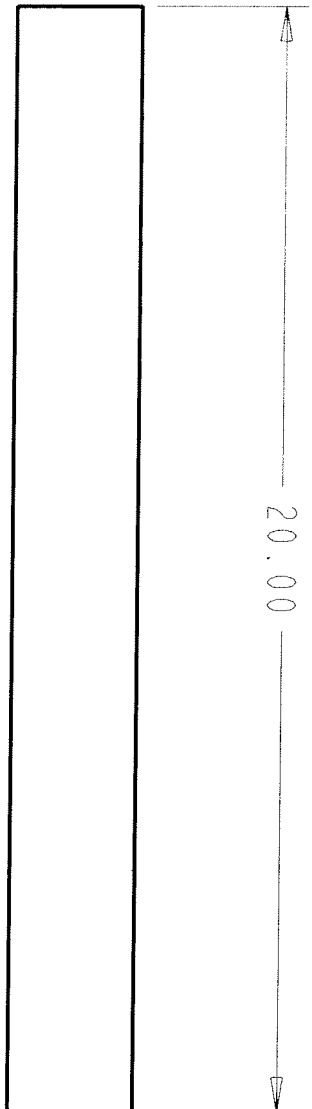
05/15/08



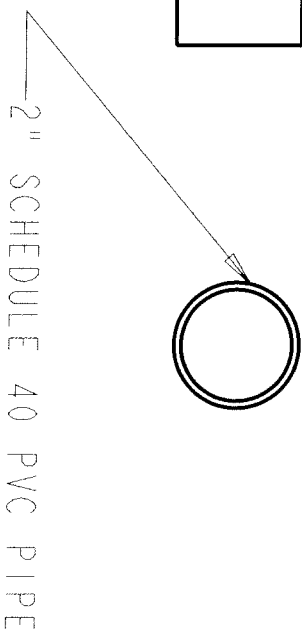
# RIT

HOT WATER RESIVOIR ASM (5) (5A)  
SECOND GEN SOLAR PASTEURIZER  
MSD PROJECT P08404

REVISION A  
02/17/08



SCALE 0.300



# RIT

RESERVOIR

5A

SECOND GEN SOLAR PASTEURIZER  
MSD PROJECT P08404

REVISION B

05/15/08