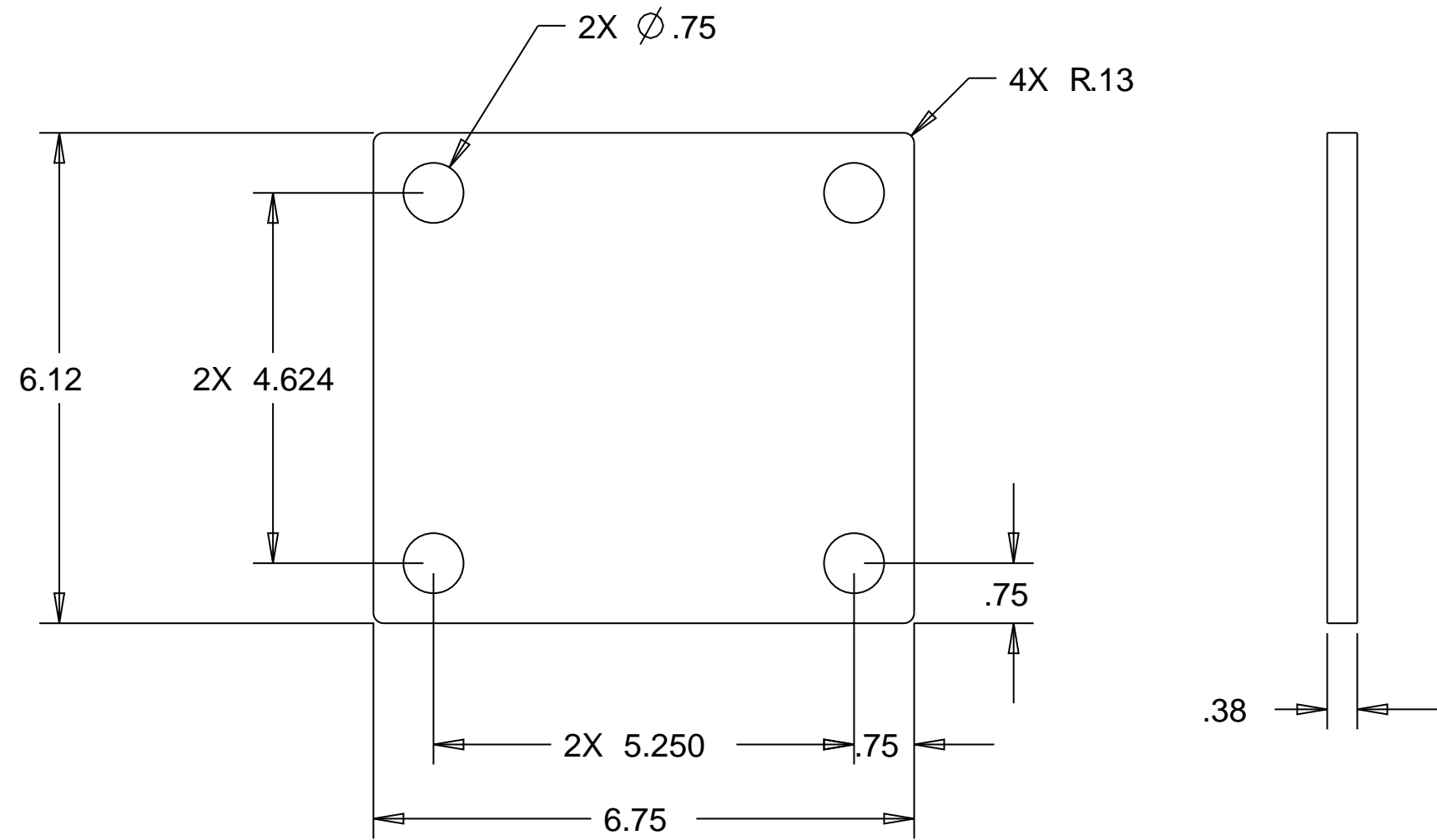


TOLERANCING: .000 ±.001 .00 ±.01  
MAKE FROM LOW CARBON STEEL



<b>R·I·T</b>	P08452	4THPLATE	
SCALE: 0.500	12-Apr-08	DRAWN BY: D.RIGOLO	SHEET: 1 / 1