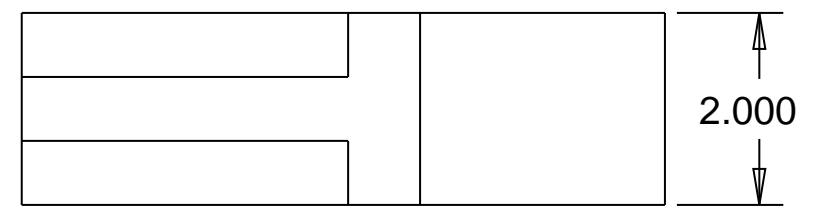
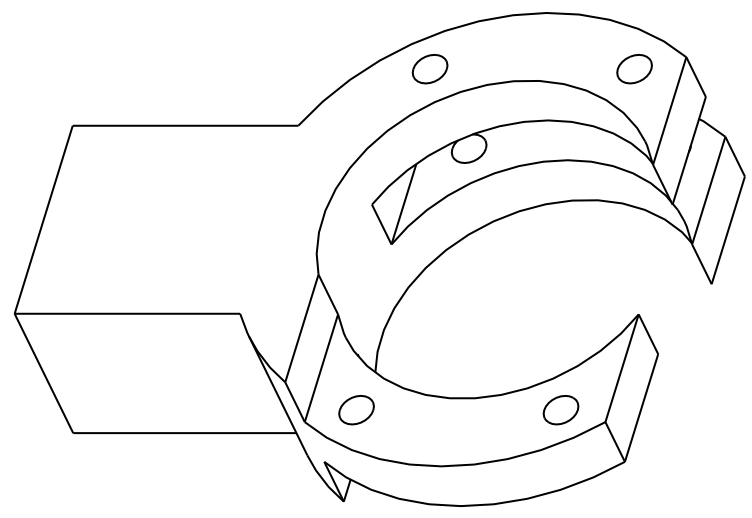
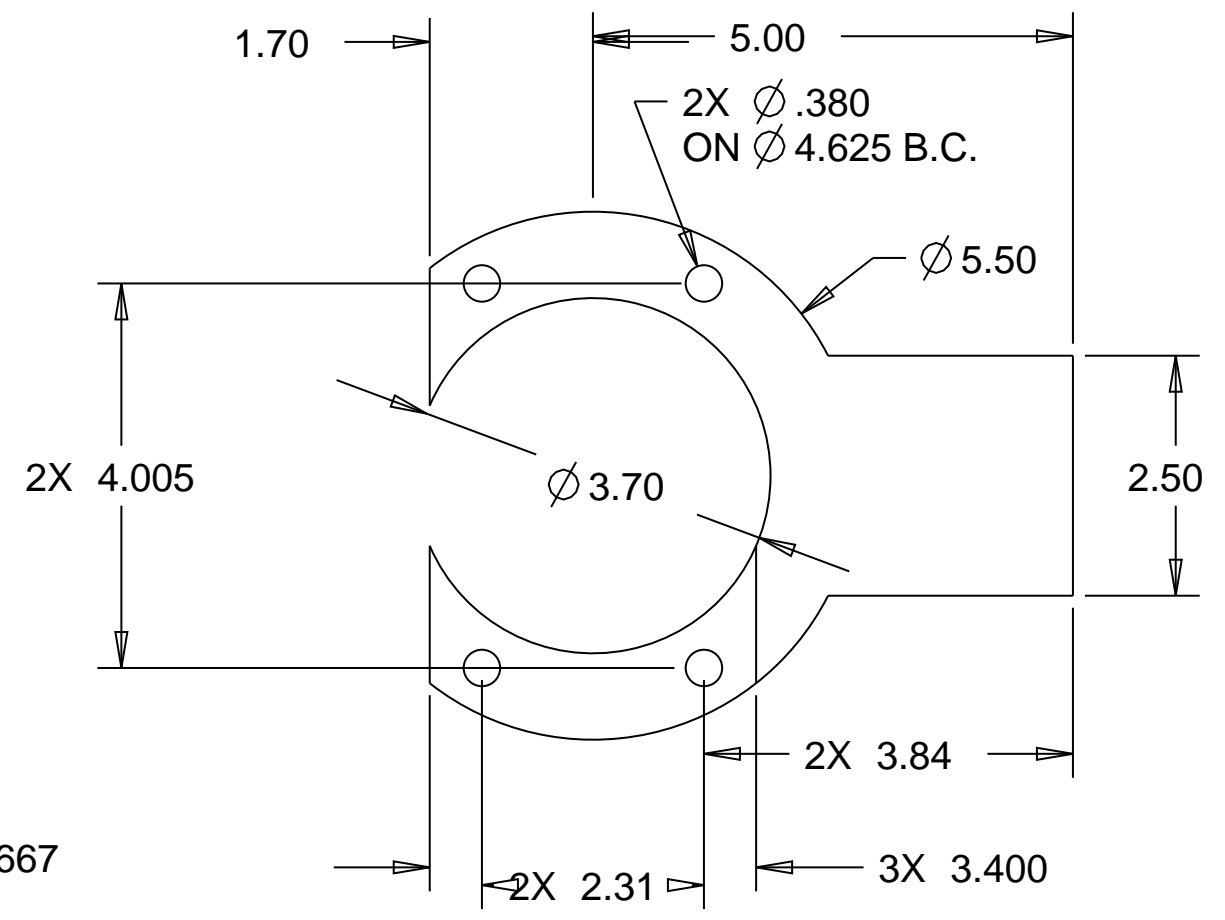
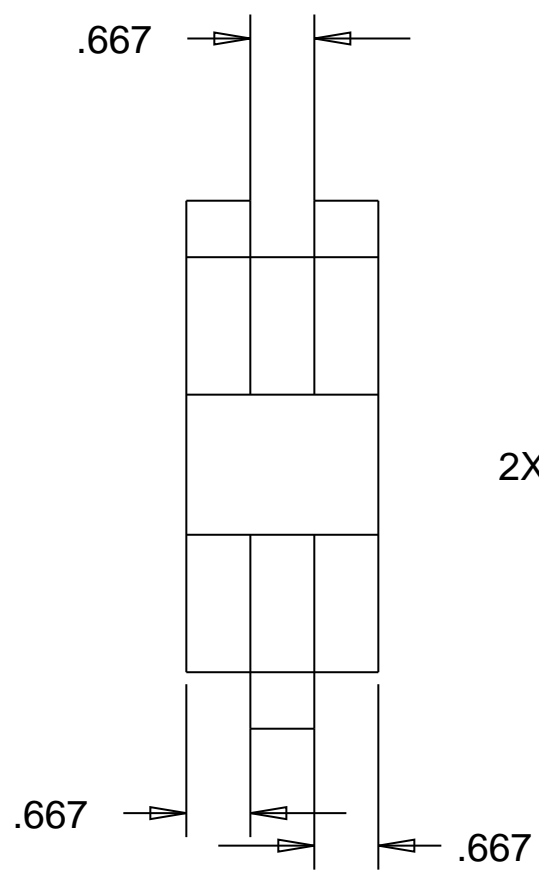


TOLERANCING: .000 ±.001 .00 ±.01  
 MAKE FROM LOW CARBON STEEL  
 PART SHOULD WEIGH ~6.90LBS



<b>R·I·T</b>	P08452	4THCOUNTERWEIGHT	
SCALE: 0.5	12-Apr-08	DRAWN BY: D.RIGOLO	SHEET: 1 / 1