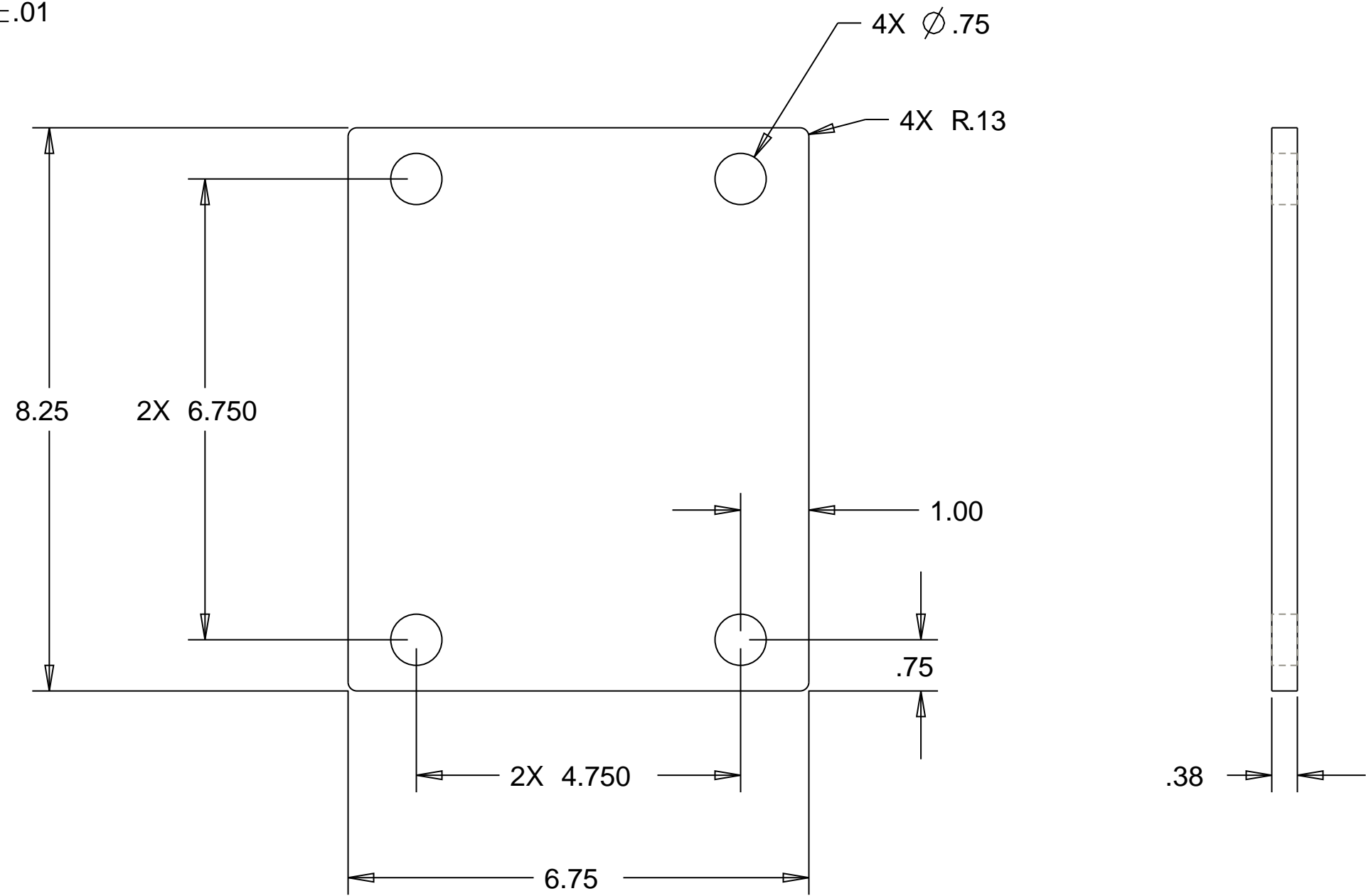


TOLERANCING: .000 ±.001 .00 ±.01
MAKE FROM LOW CARBON STEEL



R·I·T	P08452	5THPLATE	
SCALE: 0.500	06-May-08	DRAWN BY: D.RIGOLO	SHEET: 1 / 1