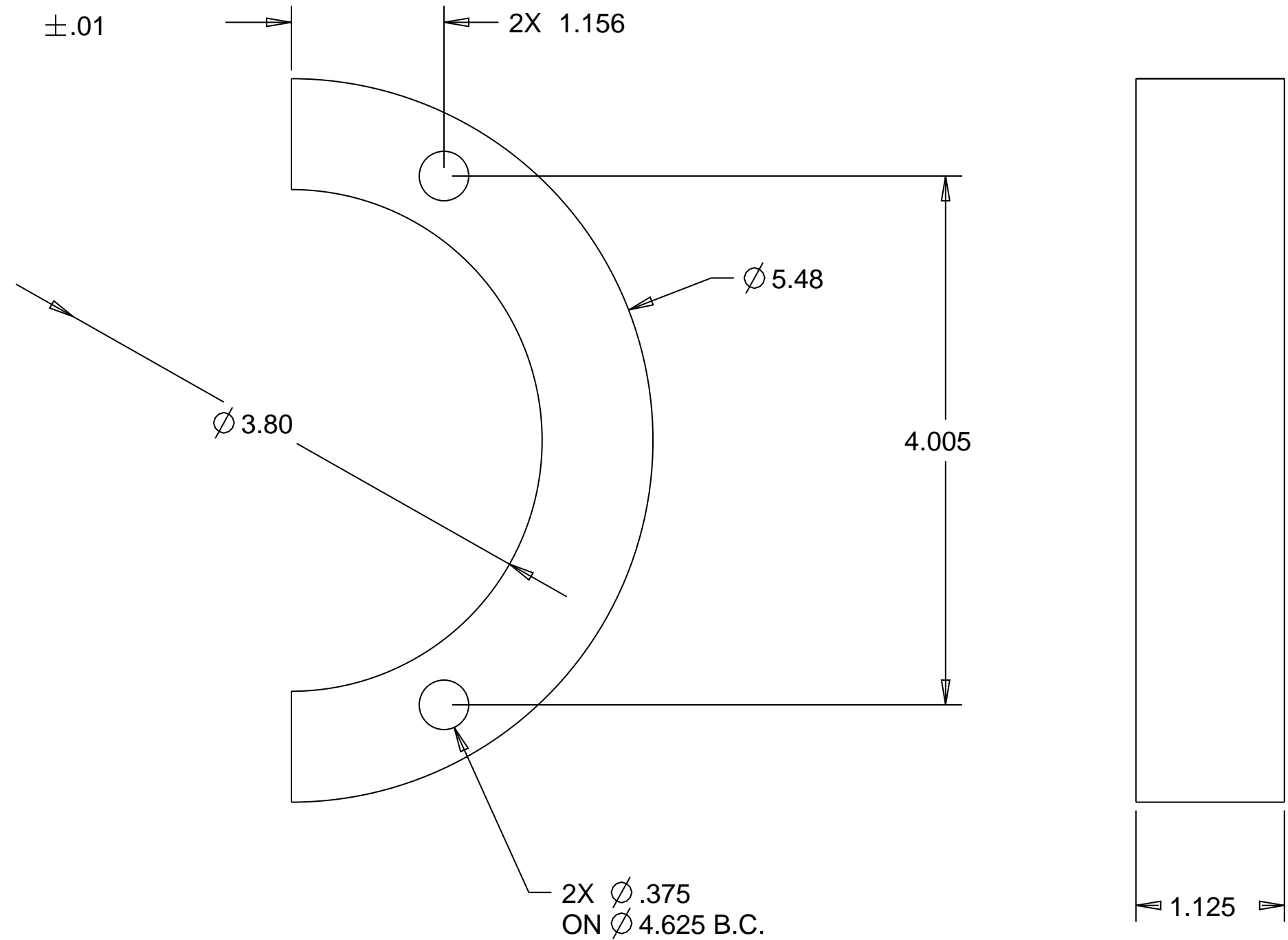


TOLERANCING: .000 ±.001 .00 ±.01
MAKE FROM LOW CARBON STEEL
PART SHOULD WEIGH ~1.88LBS



R·I·T	P08452	5THCOUNTERWEIGHT	
SCALE: 1.000	12-Apr-08	DRAWN BY: D.RIGOLO	SHEET: 1 / 1