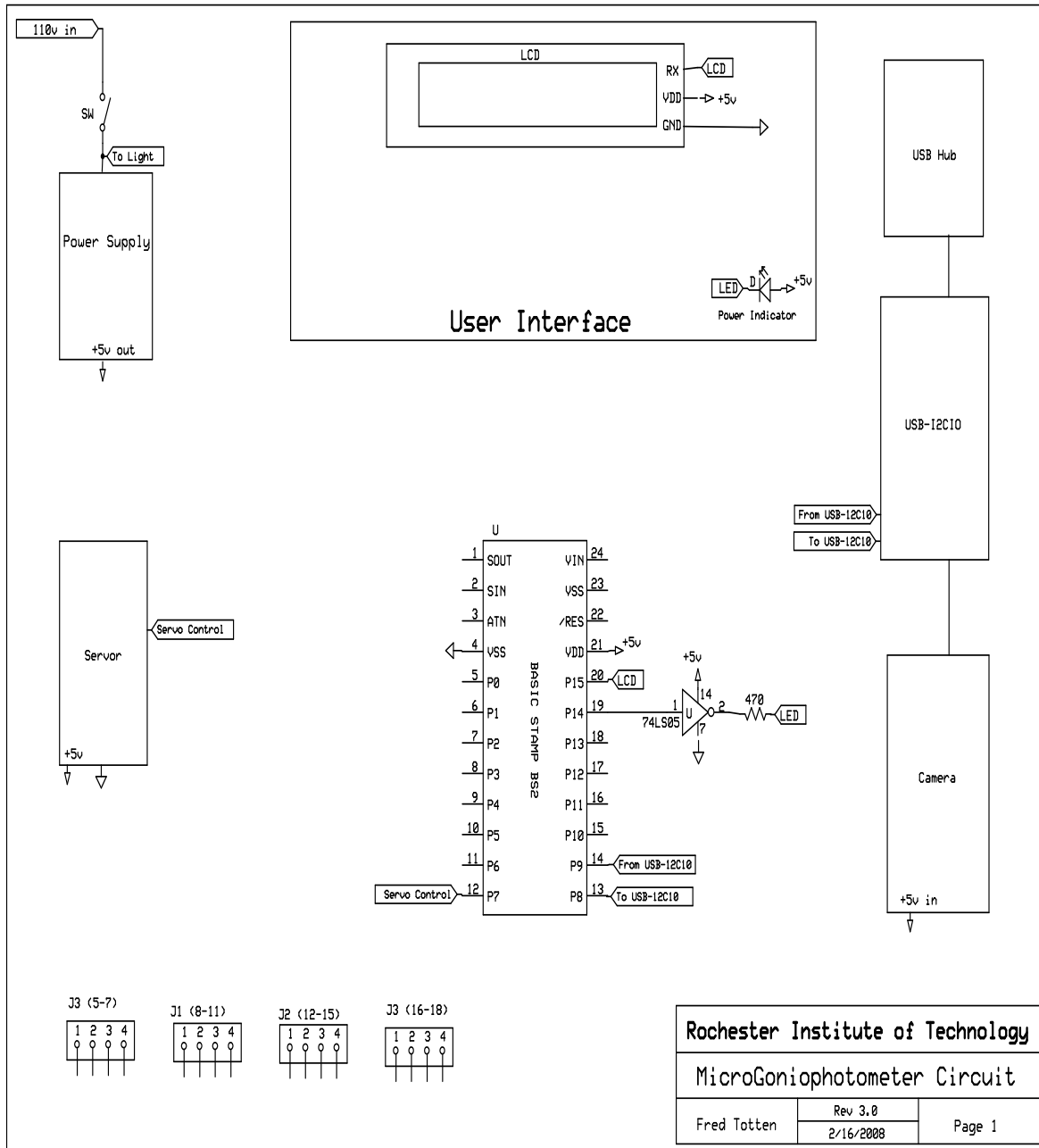
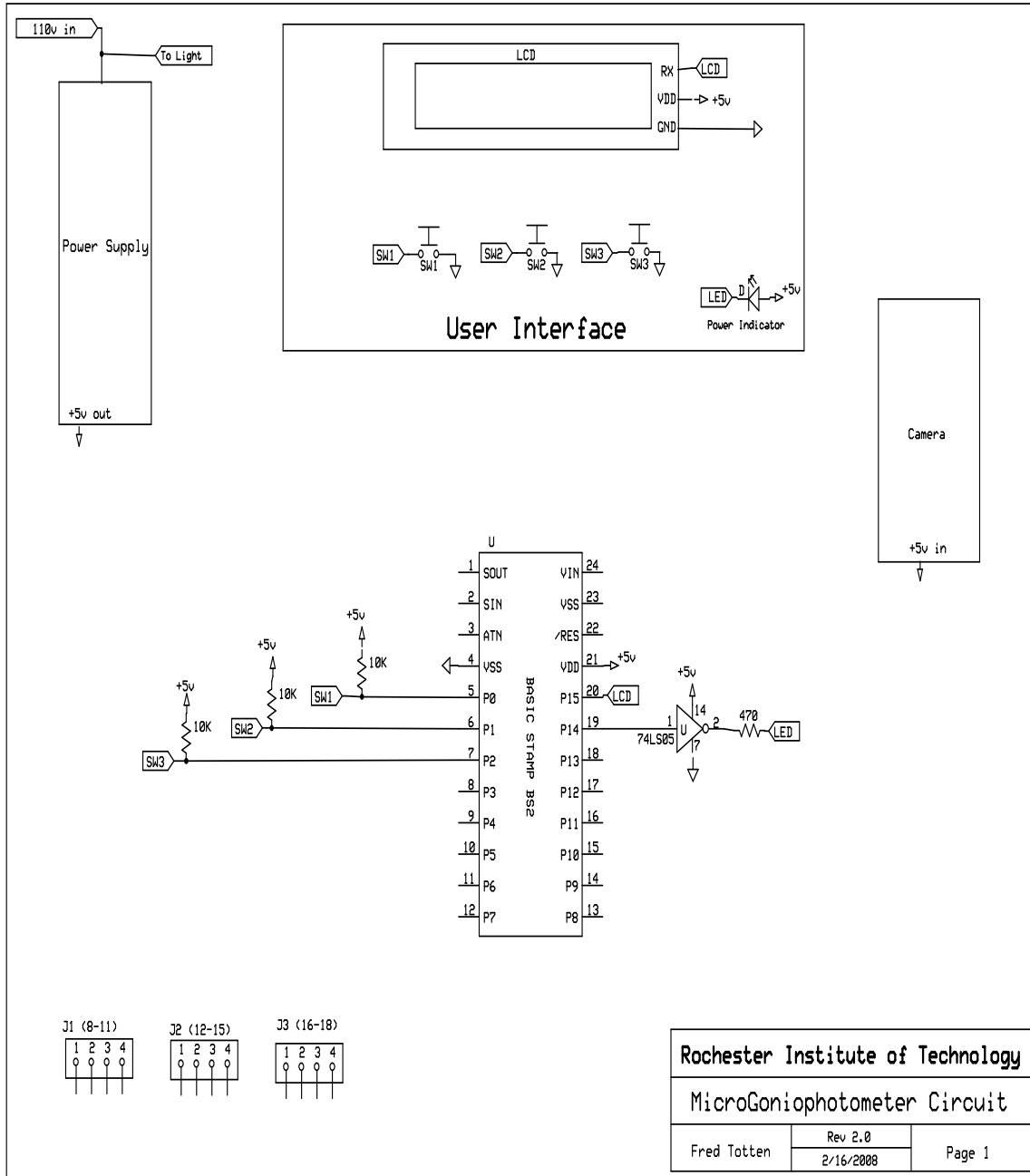


Design Details of Electrical System

Basic Solution



Ultimate Solution



Part Choices:

Power Supply: Astec LPT 40



Reasoning:

- 1.) Switching power Supply → Lower power consumption compared to linear supplies.
- 2.) Supplies 4 amps on 5V output.
 - a.) Camera requires 3A
 - b.) All other components combined require less than 500mA
- 3.) Low cost < \$50.00

Micro-controller: Basic Stamp2



Reasoning:

- 1.) Ease of Coding

- 2.) Low cost
- 3.) Ports available for upgrade.
- 4.) Possibility of programming on the fly

Suggested Add-ons:

- 1.) Temperature and Humidity Sensor

Parallax 2x16 Serial LCD (Backlit)



Reasoning:

- 1.) The LCD is can be backlit. It is foreseeable that this product may be used in low light settings.
- 2.) Example coding availability.