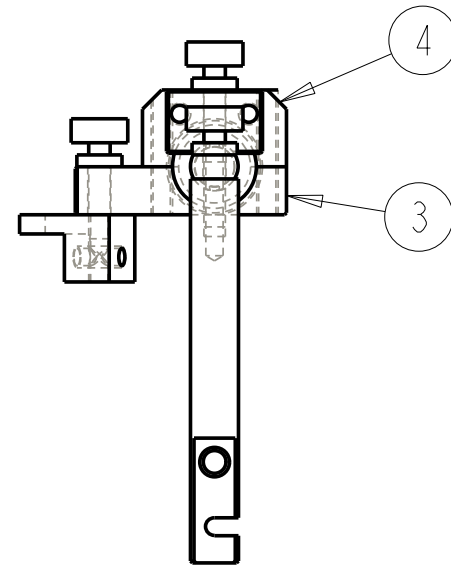
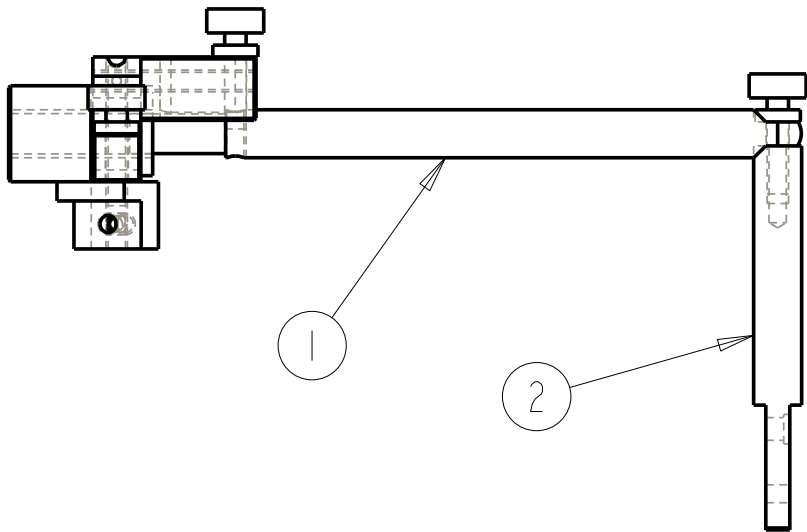
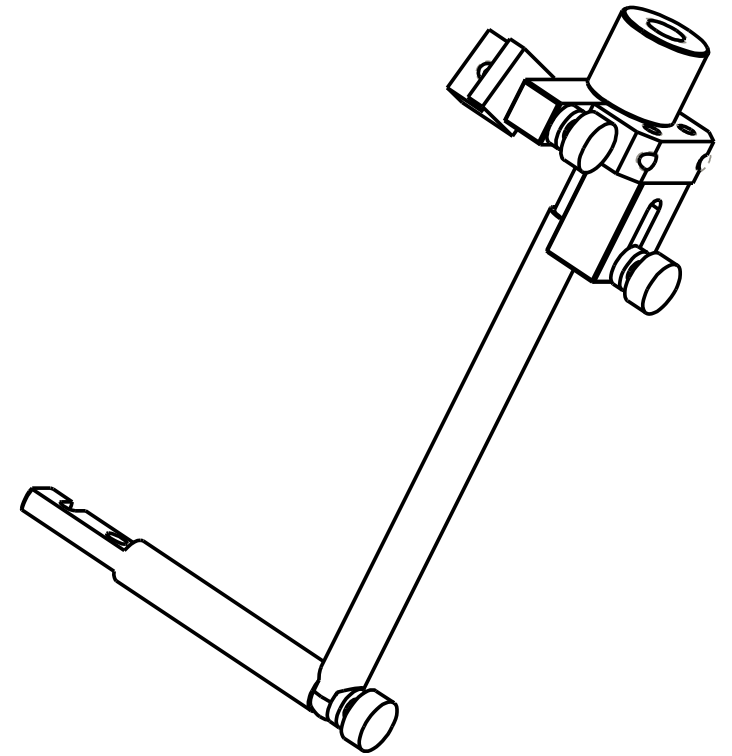
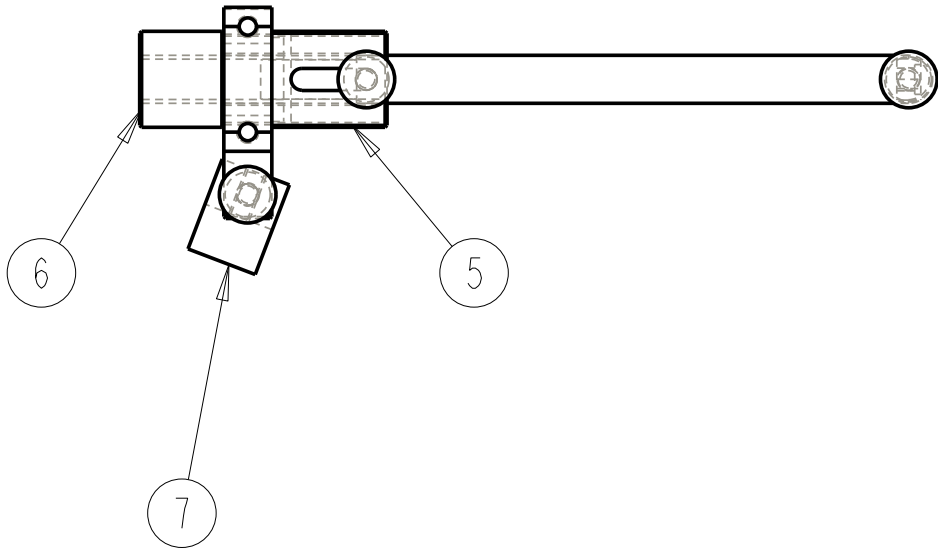
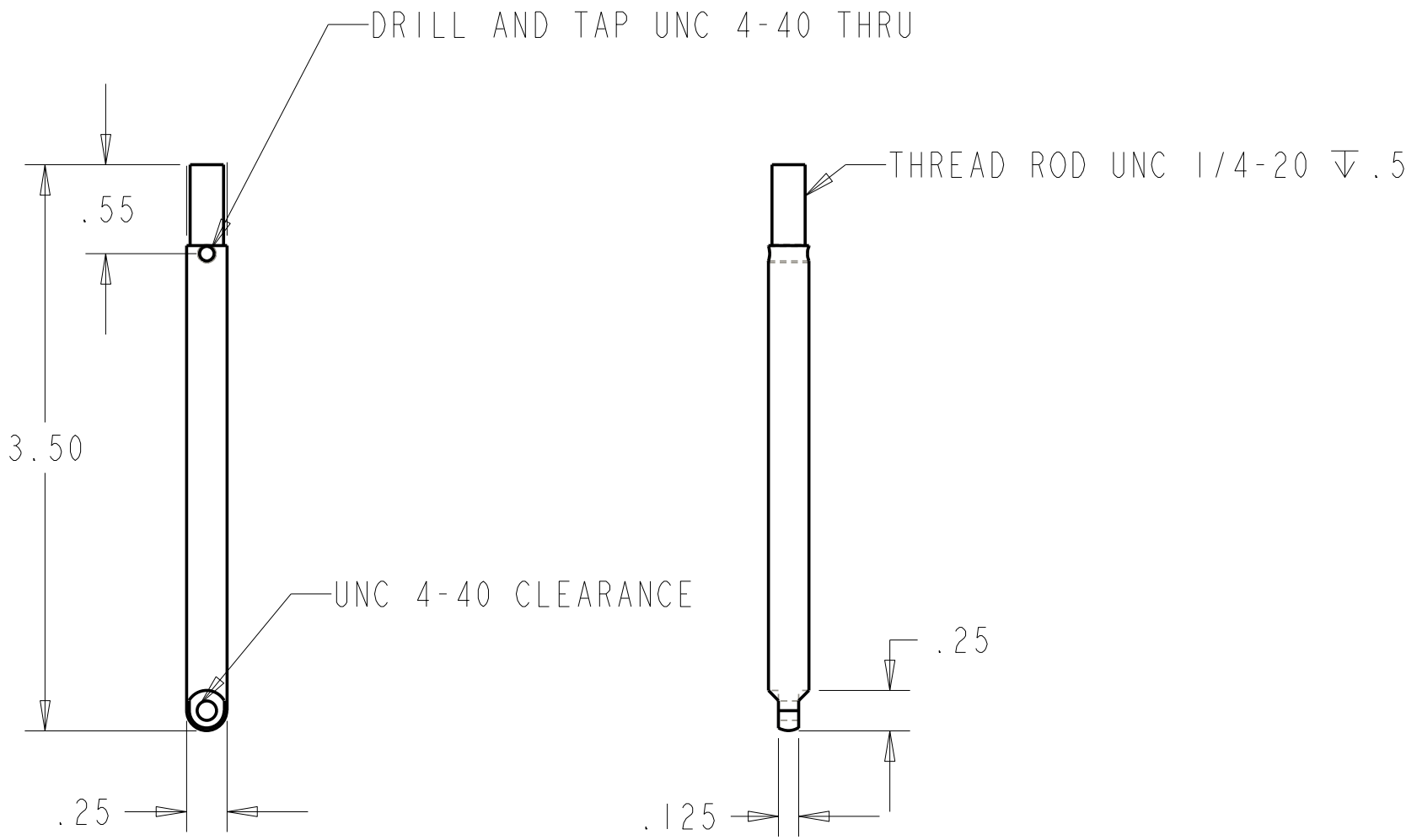
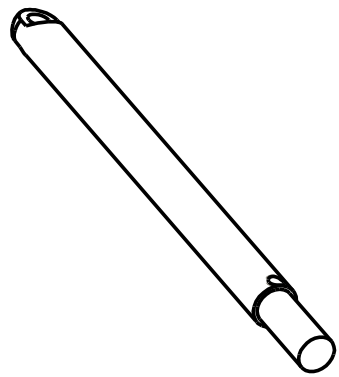


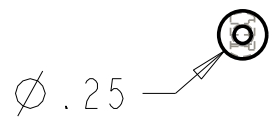
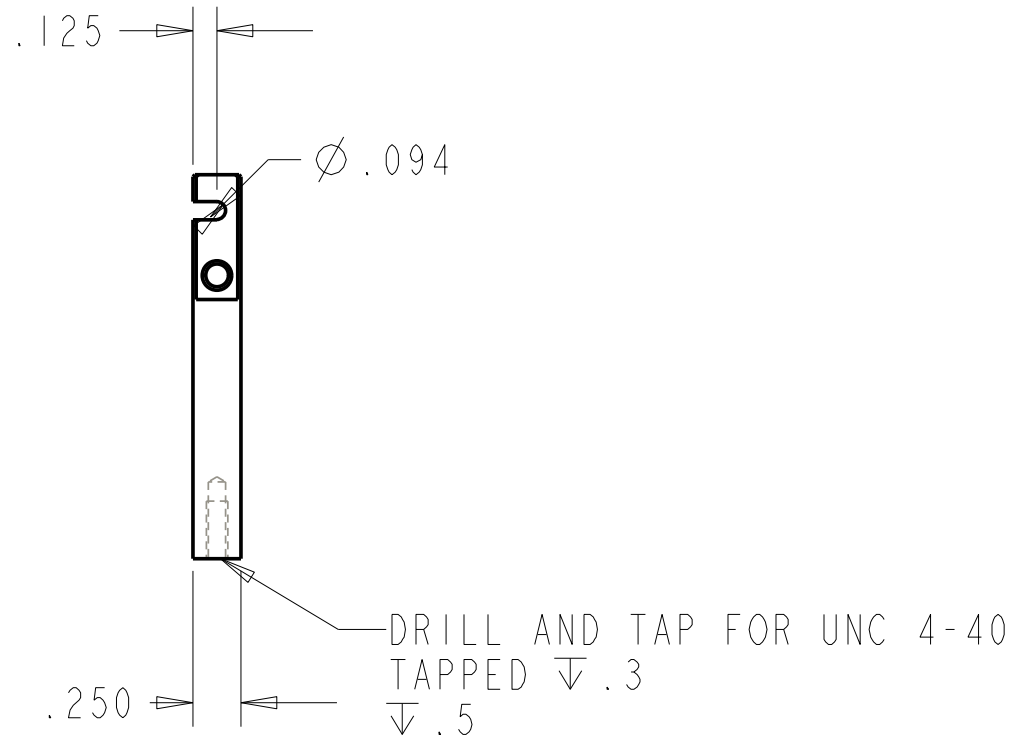
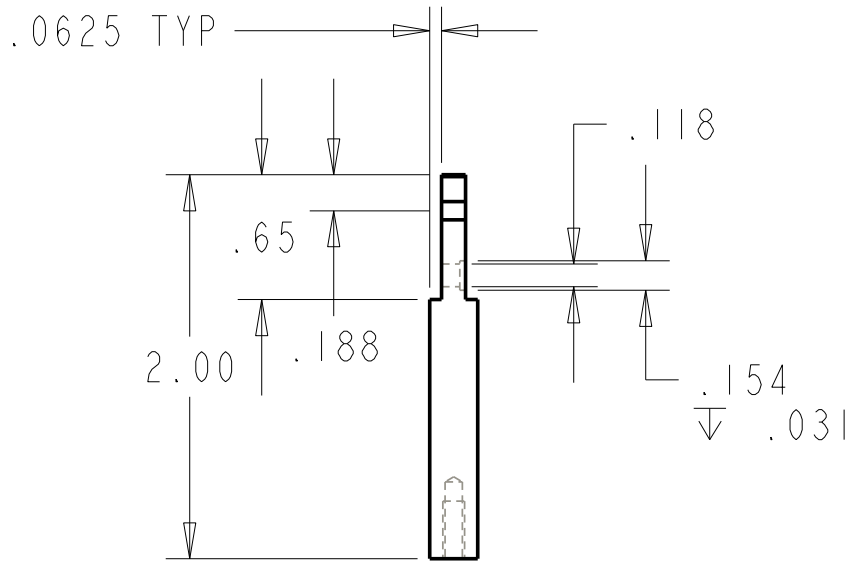
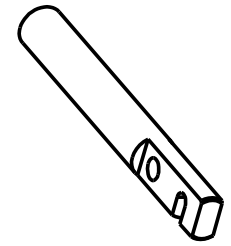
EYE CAMERA MOUNT



① VERTICAL ROD

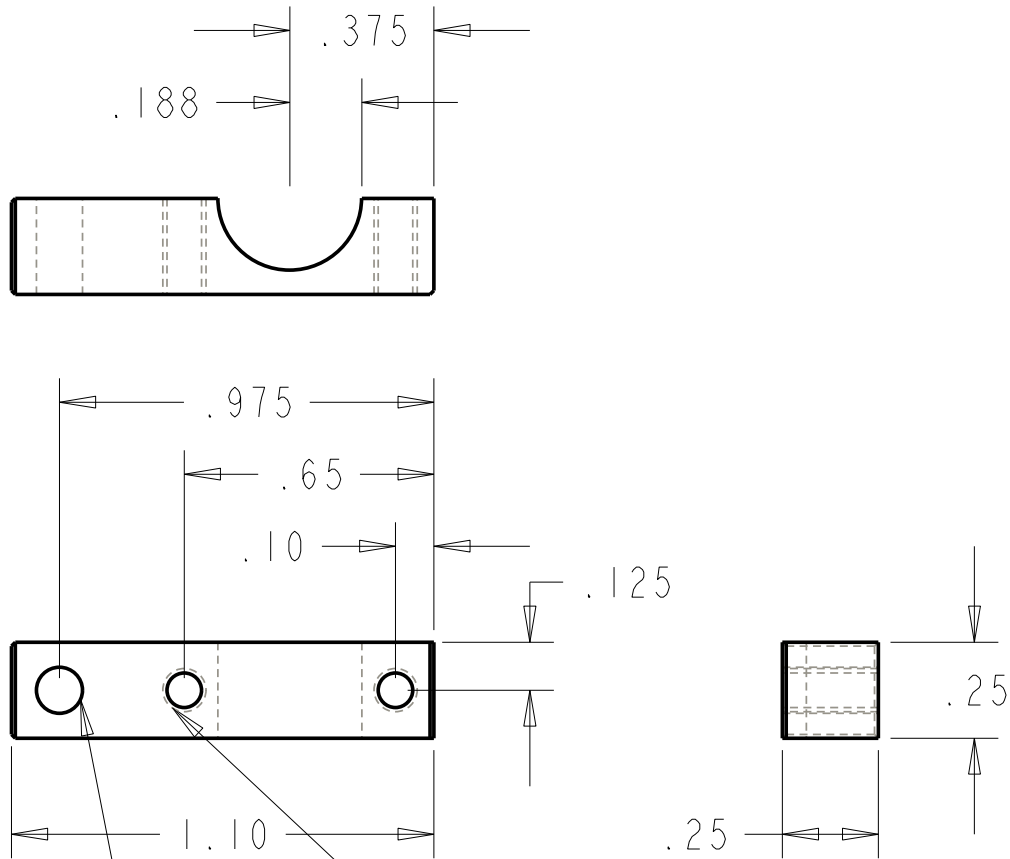
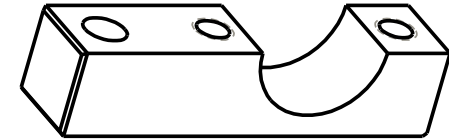


② HORIZONTAL ROD



3

HOUSING BOTTOM

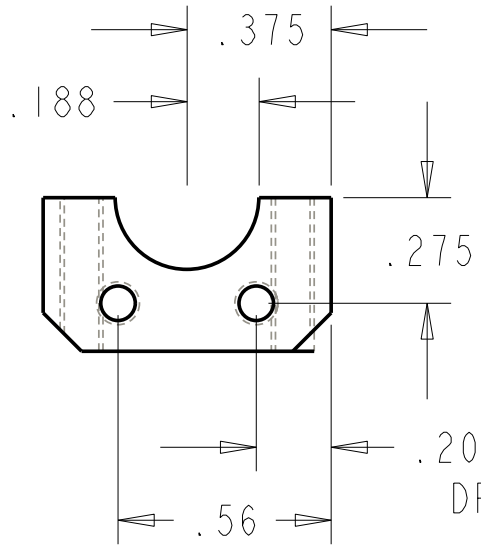
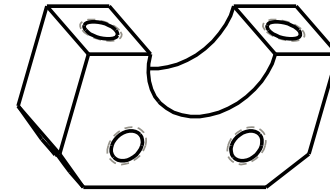


DRILL AND TAP UNC 4-40 THRU TYP.

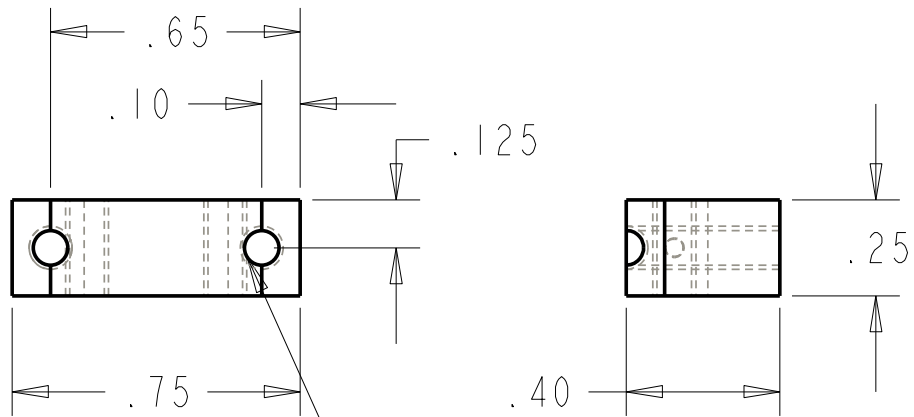
CLEARANCE FOR UNC 4-40 THRU

4

HOUSING TOP



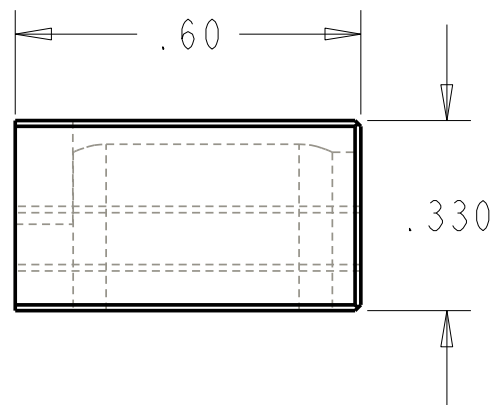
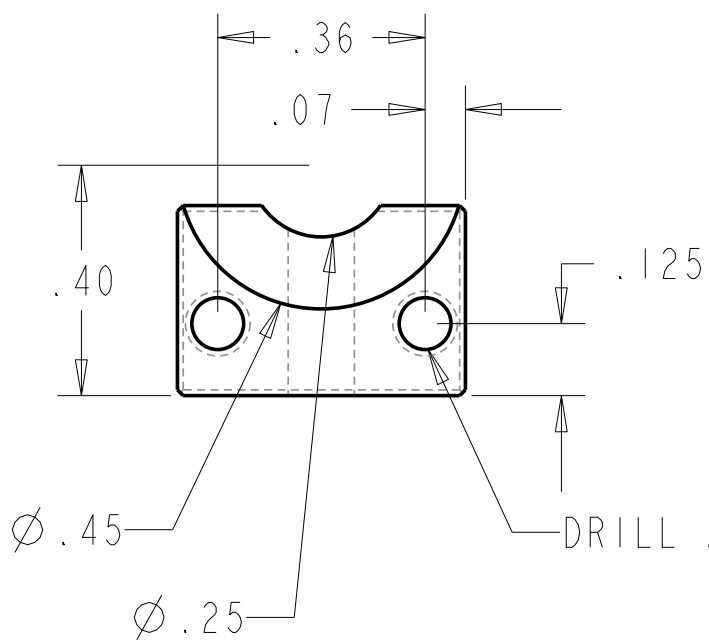
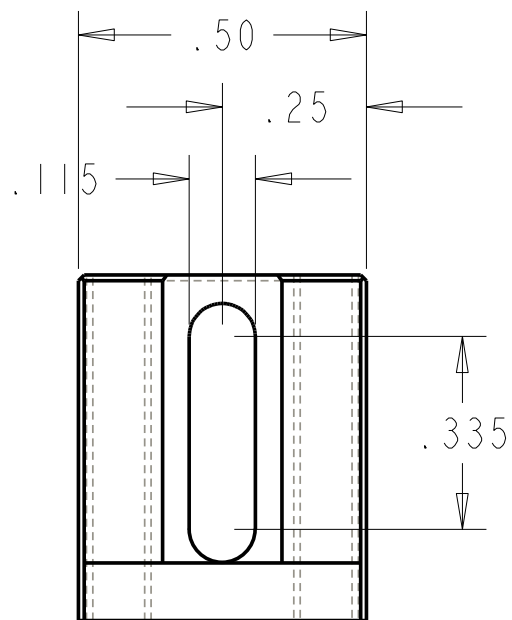
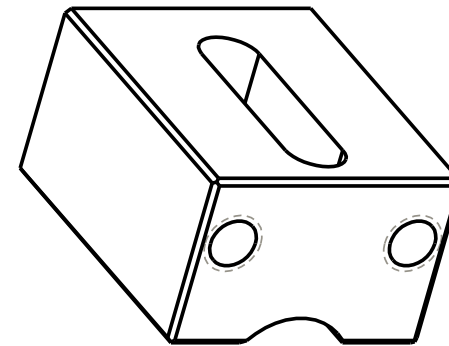
DRILL AND TAP UNC 4-40 THRU TYP.



DRILL AND TAP UNC 4-40 THRU TYP

5

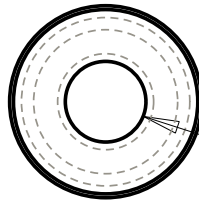
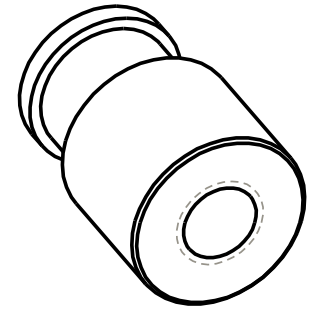
CLAMP GUIDE



DRILL AND TAP UNC 4-40 THRU TYP.

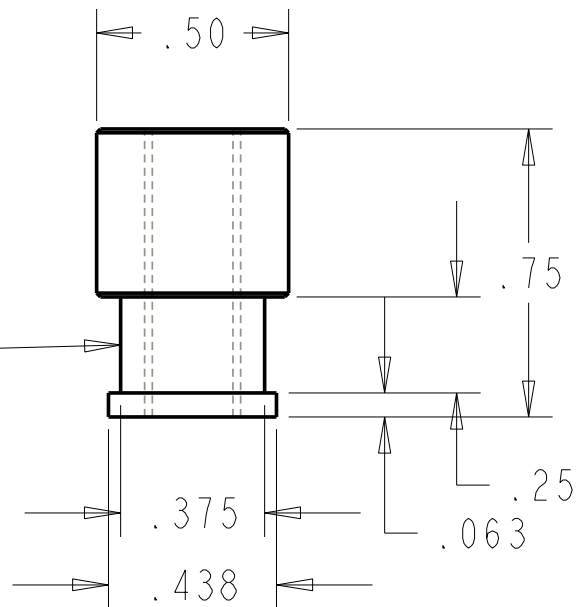
6

ADJUSTER KNOB



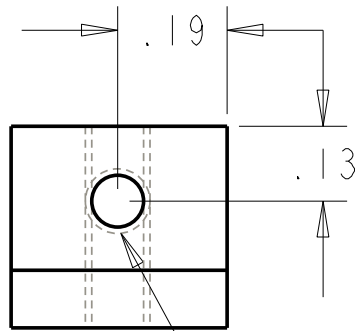
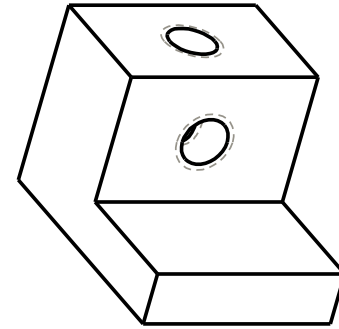
DRILL AND TAP UNC 1/4-20 THRU

SMOOTH FINISH

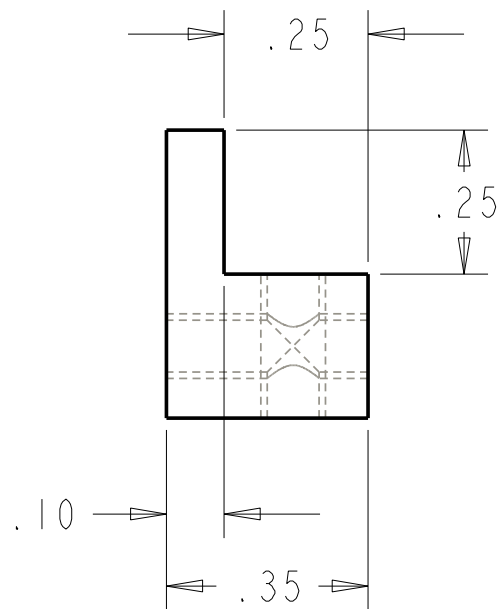
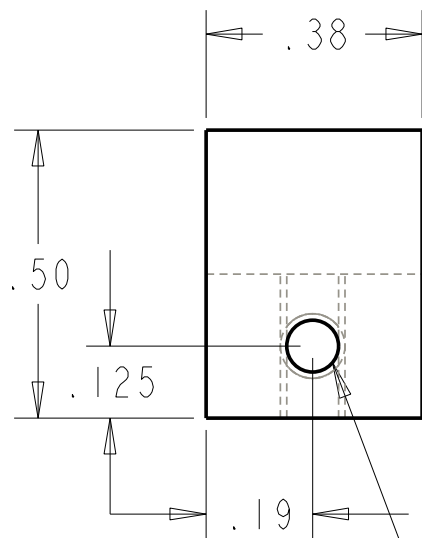


7

MOUNT
2X



DRILL AND TAP UNC 4-40 THRU



DRILL AND TAP UNC 4-40 THRU