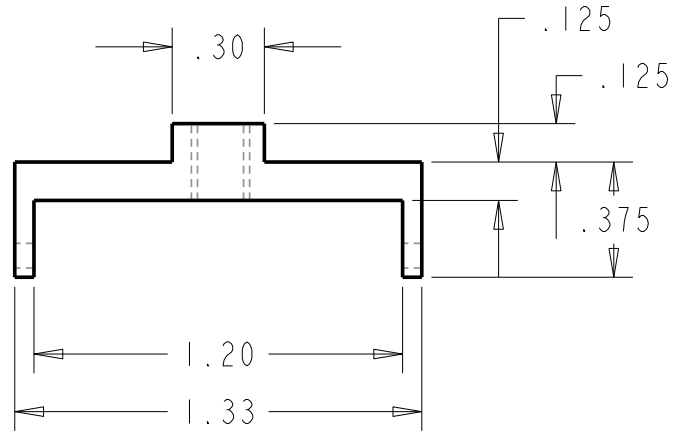
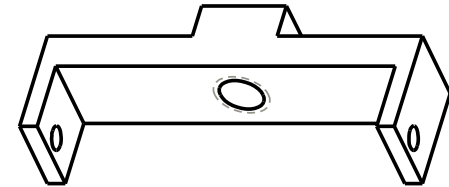
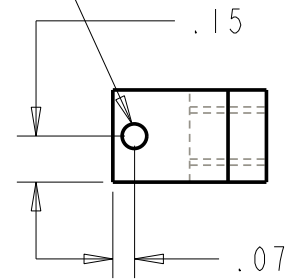
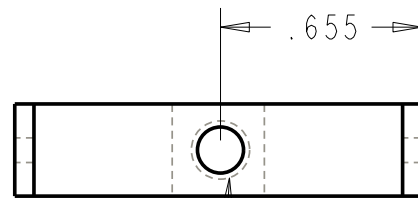


① CAMERA BRACKET

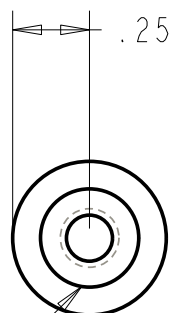
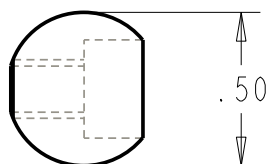
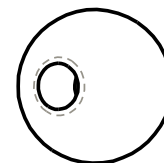


CLEARANCE UNF 0-80 THRU (2 SIDES)



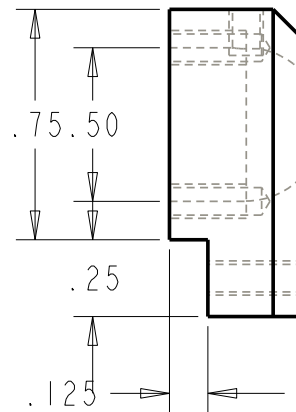
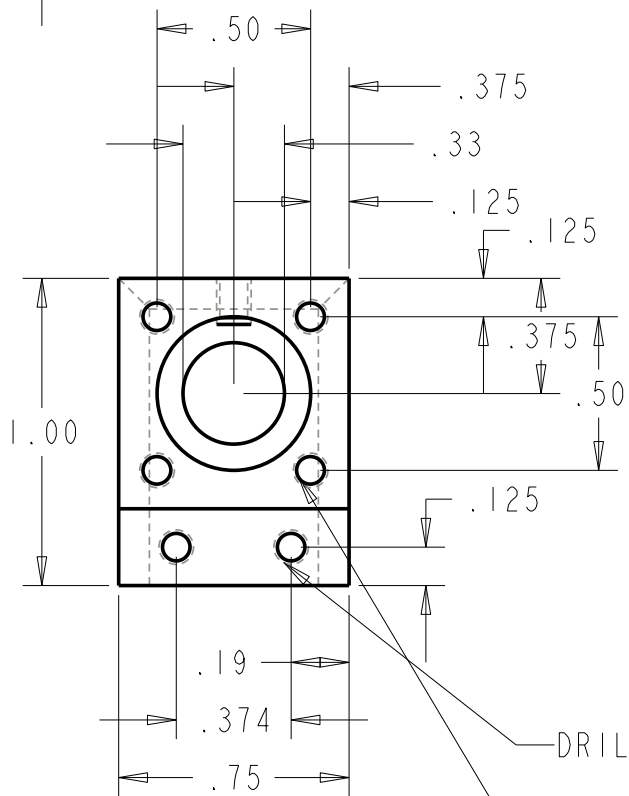
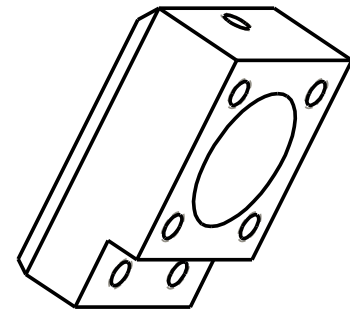
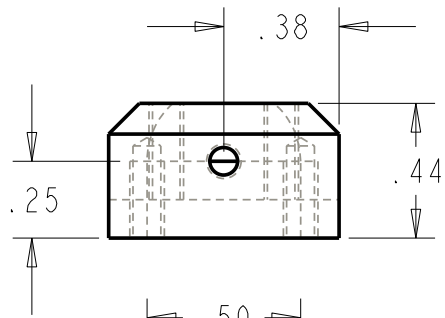
DRILL AND TAP UNC 10-24 THRU

② BALL



DRILL AND TAP UNC 10-24 THRU
└┘ .32 ▽ .2

3 BALL MOUNT



DRILL AND TAP UNC 4-40 THRU

DRILL AND TAP UNC 4-40
TAP ∇ .25

④ COVER PLATE

