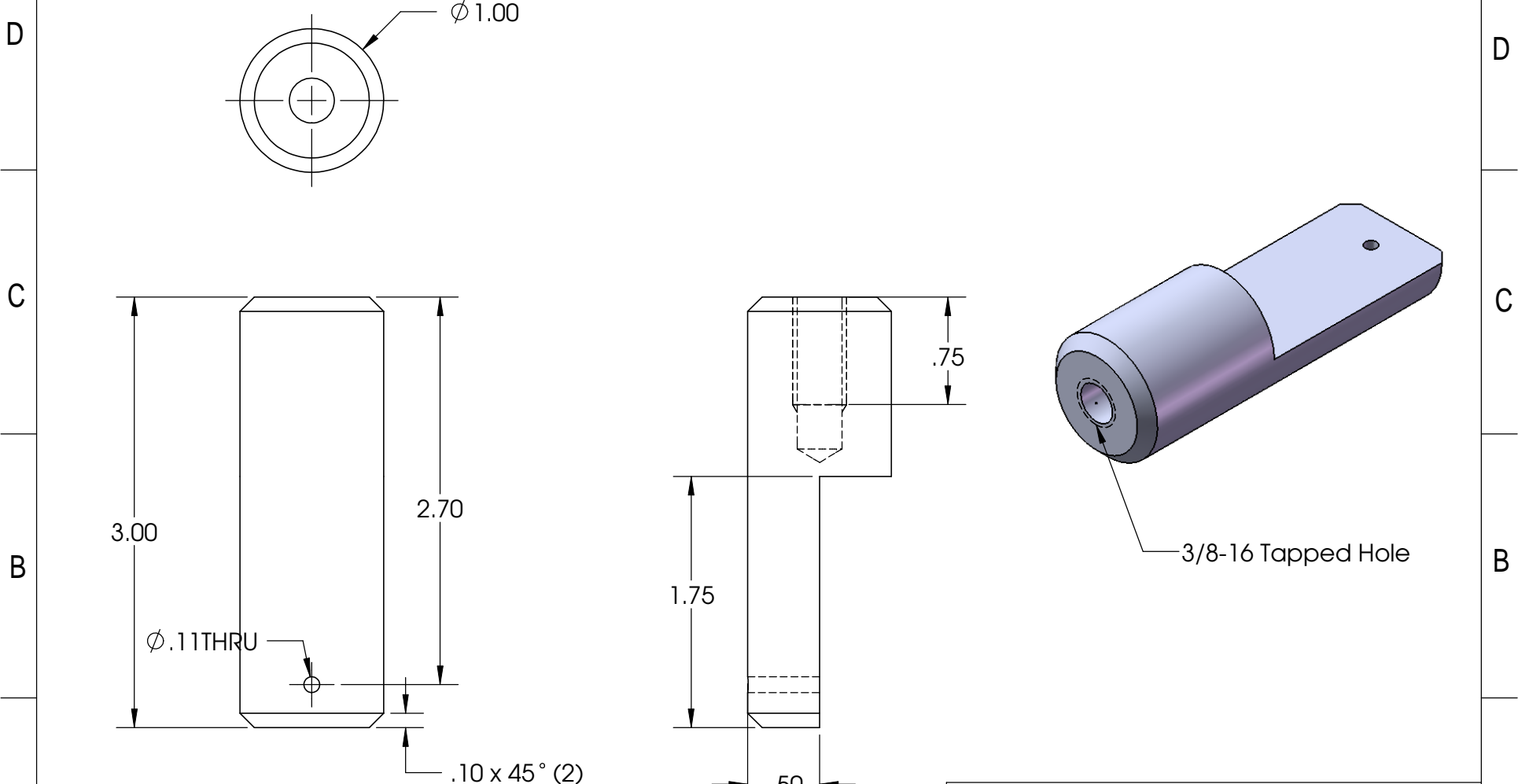


	4	3	2	1	
X	ROHS COMPLIANT	REV	DATE	BY	DESCRIPTION
		01			DRAWING CREATED



① = QUALITY CUSTOMER INTERFACE CHARACTERISTIC

NOTICE TO ALL PERSONS RECEIVING THIS DRAWING
 This drawing is only conditionally issued neither receipt nor possession thereof confers or transfers and right in, or license to use the subject matter of the drawing or any design or technical information shown thereon, nor any right to reproduce this drawing or any part thereof, except for the manufacture by vendors for VUZIX CORPORATION and for the manufacture under the corporation's written license. No right to reproduce this drawing is granted unless by written agreement with or written permission from the corporation.

UNLESS OTHERWISE SPECIFIED
 UNITS: mm
 DIMENSION TOLERANCES:
 0-.5 \pm 0.05
 >.5-50 \pm 0.1
 >50 \pm 0.2
 ANGLES \pm 1°

DRAWN:	DATE:	TITLE		
ENGR:		GLYCERIN TANK SPACER		
APPROVED:	SCALE 1 : 1	CAGE CODE	DRAWING NO.	REV
RELEASE DATE:	SHEET 1 OF 1			01