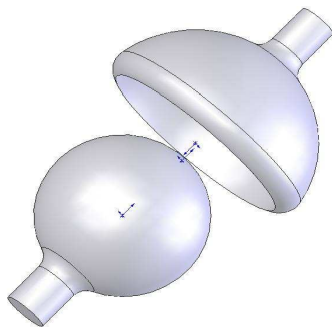
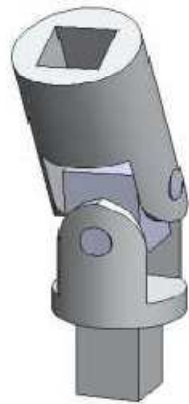


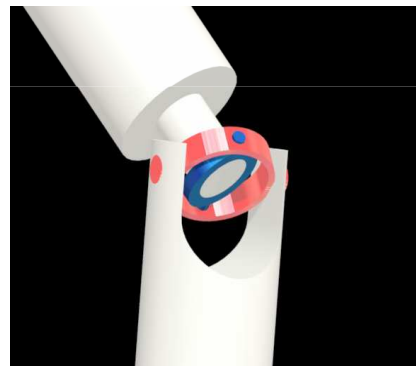
P09029 - Wrist		Concepts									
		A (reference) Ball Joint		B Flexible Material		C 4-Pin Joint		D Gyroscope Joint		E Two Pin Joints	
		Rating	Weighted Score	Rating	Weighted Score	Rating	Weighted Score	Rating	Weighted Score	Rating	Weighted Score
Selection Criteria	Weight										
Realism (accurate to human motion)	20%	3	0.6	2	0.4	3	0.6	3	0.6	2	0.4
Feasibility	20%	3	0.6	1	0.2	5	1	2	0.4	4	0.8
Cost	10%	3	0.3	5	0.5	2	0.2	3	0.3	4	0.4
Adaptability	10%	3	0.3	2	0.2	3	0.3	3	0.3	3	0.3
Structural integrity	20%	3	0.6	1	0.2	2	0.4	1	0.2	4	0.8
Range of motion	20%	3	0.6	5	1	3	0.6	3	0.6	2	0.4
Total Score			3		2.5		3.1		2.4		3.1
Rank			2		3		1		4		1
Continue?							yes				yes



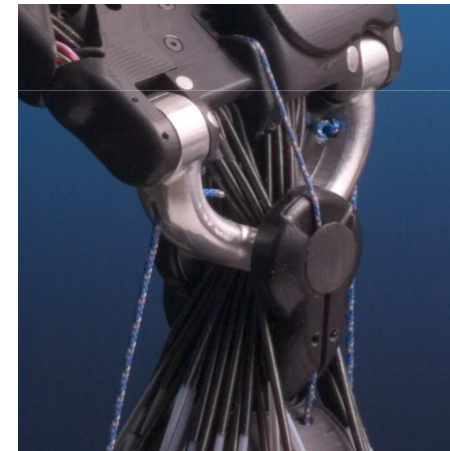
Concept A



Concept B



Concept C



Concept D

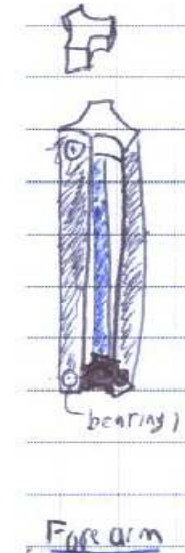
P09029 - Forearm		Concepts							
		A (reference) Two rods with ball bearings		B Solid Rod w/Bearings		C 3 Bars that twist		D Flexible Material	
Selection Criteria	Weight	Rating	Weighted Score	Rating	Weighted Score	Rating	Weighted Score	Rating	Weighted Score
realism (accurate to human motion)	20%	3	0.6	2	0.4	1	0.2	2	0.4
feasibility	20%	3	0.6	5	1	4	0.8	1	0.2
cost	10%	3	0.3	5	0.5	3	0.3	4	0.4
adaptability	10%	3	0.3	3	0.3	2	0.2	2	0.2
structural integrity	20%	3	0.6	4	0.8	2	0.4	1	0.2
range of motion	20%	3	0.6	5	1	2	0.4	5	1
Total Score			3		4		2.3		2.4
Rank			2		1		4		3
Continue?					Yes				



Concept A

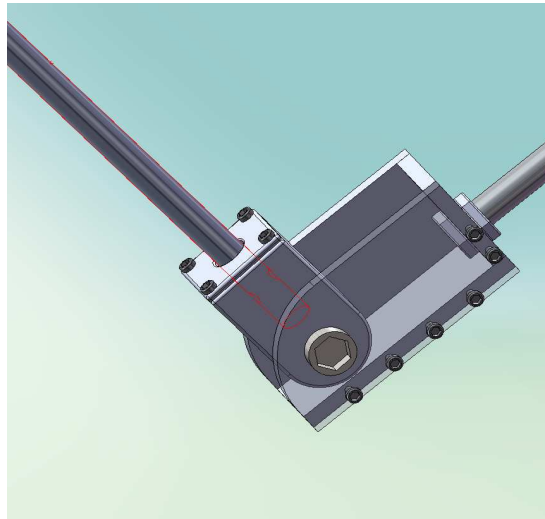


Concept B



Concept C

P09029 - Elbow		Concepts					
		A (reference) Pin Join		B Flexible Material		C Ball & Socket	
Selection Criteria	Weight	Rating	Weighted Score	Rating	Weighted Score	Rating	Weighted Score
realism (accurate to human motion)	20%	3	0.6	1	0.2	2	0.4
feasibility	20%	3	0.6	1	0.2	2	0.4
cost	10%	3	0.3	5	0.5	2	0.2
adaptability	10%	3	0.3	2	0.2	2	0.2
structural integrity	20%	3	0.6	1	0.2	3	0.6
range of motion	20%	3	0.6	5	1	5	1
Total Score			3	2.3		2.8	
Rank			1	3		2	
Continue?			Yes				

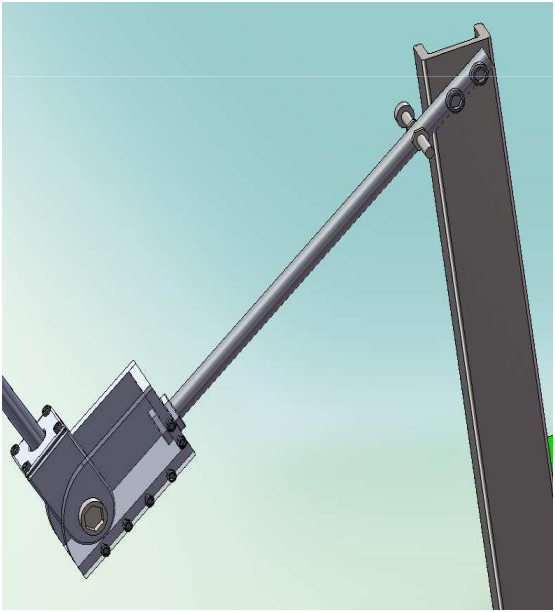


Concept A

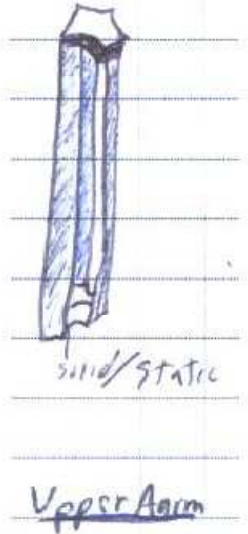
P09029 - Upper Arm		Concepts					
		A (reference) Solid Cylinder		B Single Rod		C Exoskeleton	
		Rating	Weighted Score	Rating	Weighted Score	Rating	Weighted Score
Selection Criteria	Weight						
realism (accurate to human motion)	25%	3	0.75	3	0.75	2	0.5
feasibility	30%	3	0.9	3	0.9	2	0.6
cost	10%	3	0.3	5	0.5	2	0.2
adaptability	10%	3	0.3	3	0.3	3	0.3
structural integrity	25%	3	0.75	2	0.5	2	0.5
Total Score			3		2.95		2.1
Rank			1		1		2
Continue?					Yes		



Concept A

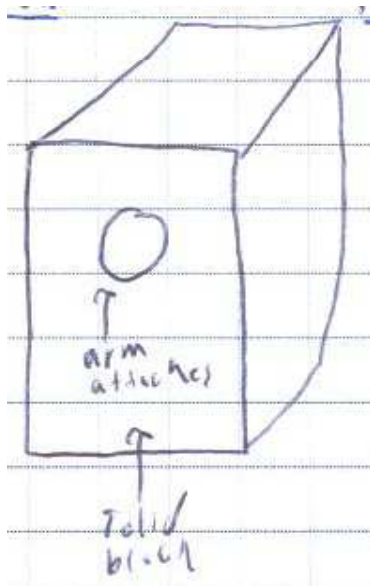


Concept B

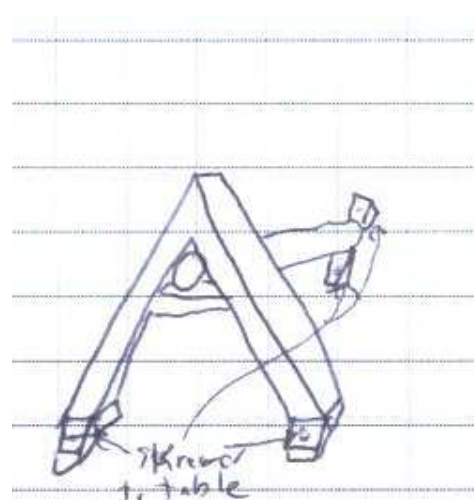


Concept C

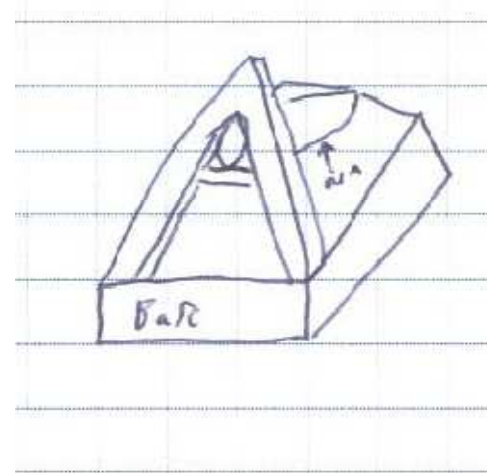
P09029 - Base		Concepts					
		A (reference) Solid Metal Block		B Metal Frame /weighted bottom		C Metal Frame attached to a table	
Selection Criteria	Weight	Rating	Weighted Score	Rating	Weighted Score	Rating	Weighted Score
realism (accurate to human motion)							
feasibility	40%	3	1.2	5	2	4	1.6
cost	40%	3	1.2	4	1.6	5	2
adaptability	20%	3	0.6	3	0.6	2	0.4
structural integrity	40%	3	1.2	2	0.8	4	1.6
	Total Score		4.2		5		5.6
	Rank		3		2		1
	Continue?				Yes		Yes



Concept A



Concept B



Concept C