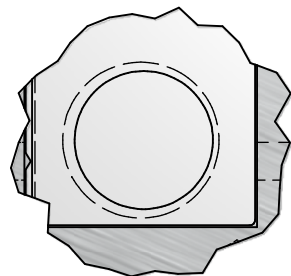
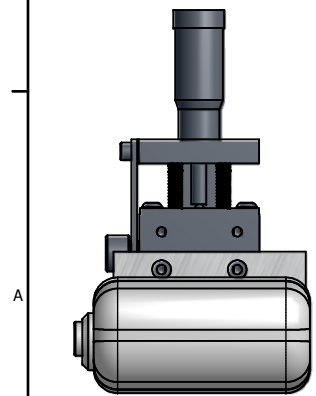
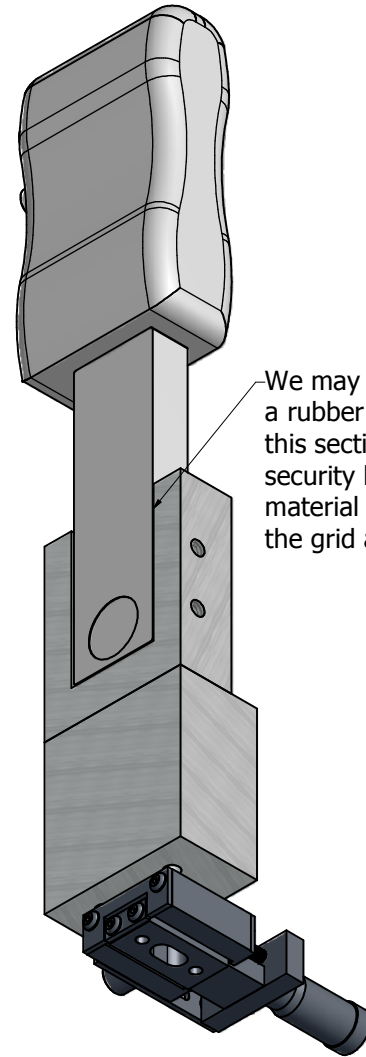


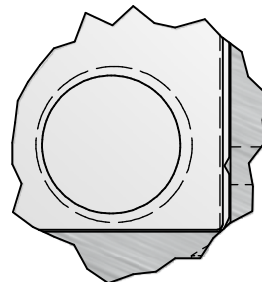
Rotary Stand: 13mm high  
 Linear Stand: 12.7mm high  
 Ring Stand: 137mm OD

I designed it a little off to the right to account for the way the linear stand only has adjustment available to the left.

You can see that this design should accommodate either direction of the grid.

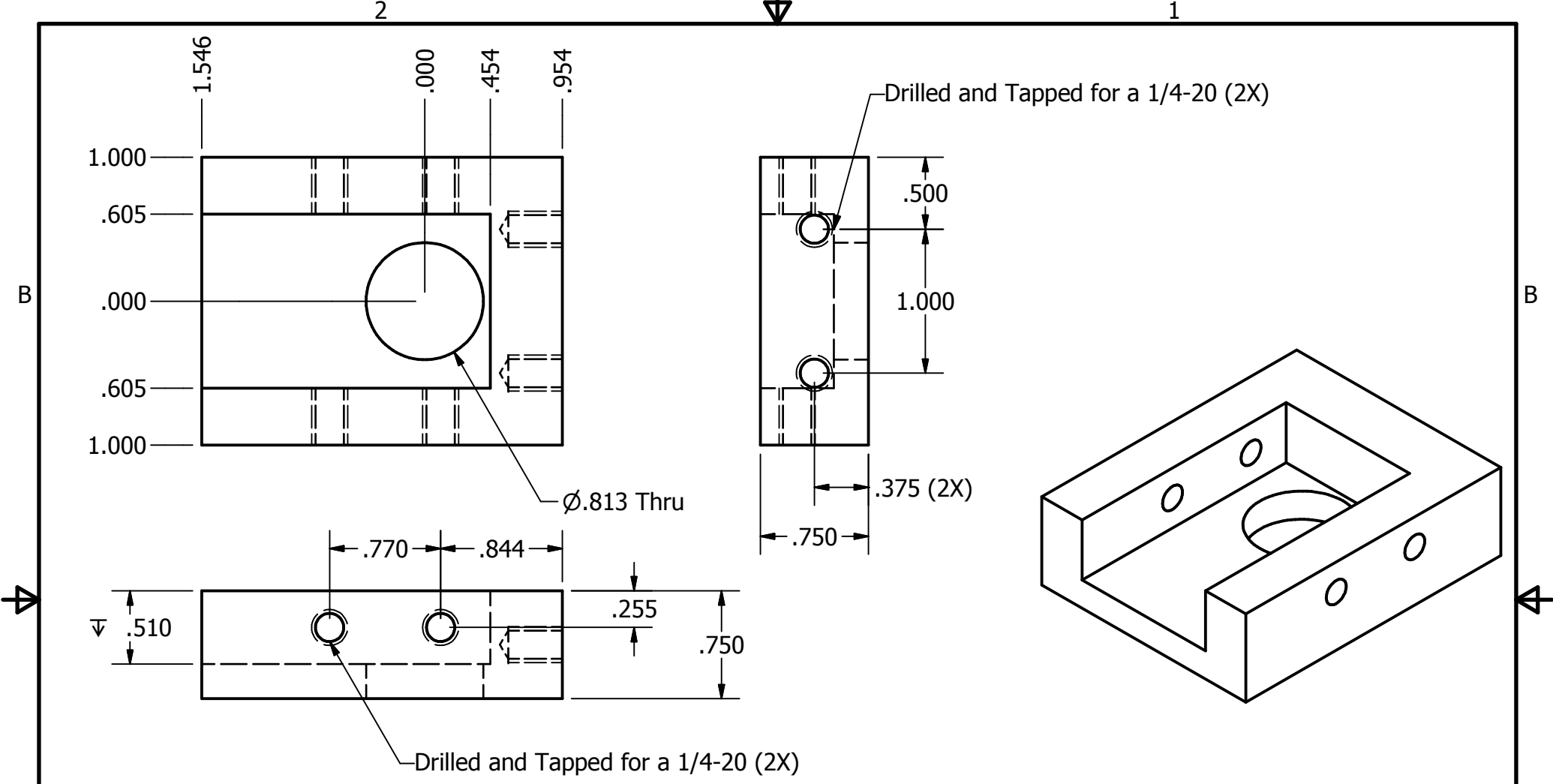


DETAIL A  
 SCALE 2 : 1

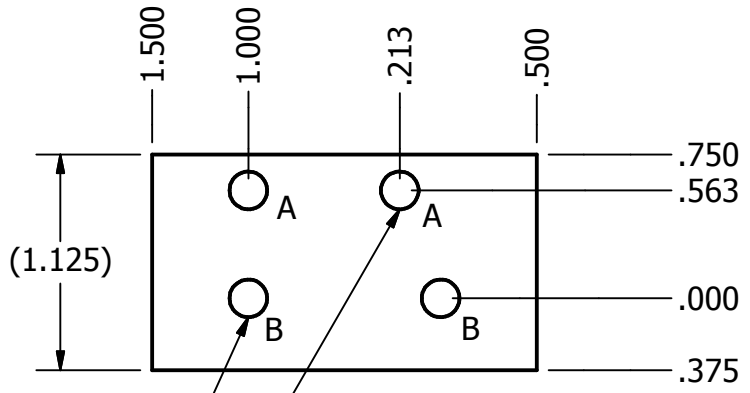


DETAIL B  
 SCALE 2 : 1

DRAWN Patricia	3/16/2009	TITLE		
CHECKED		OptiGrid Holder		
QA		SIZE C	DWG NO GridHolder	REV -
MFG		SCALE	SHEET 1 OF 3	
APPROVED				

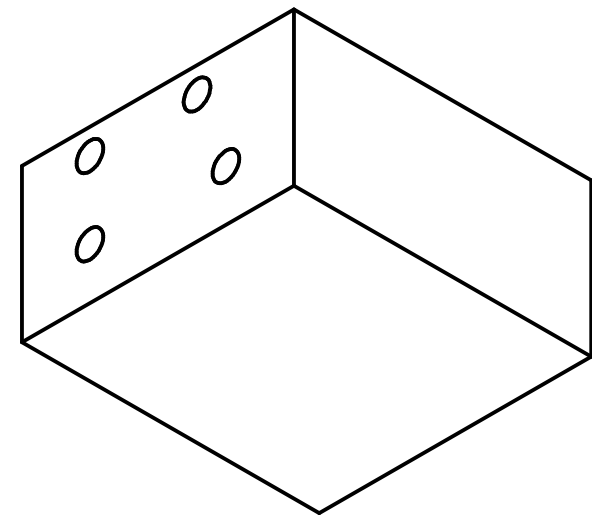
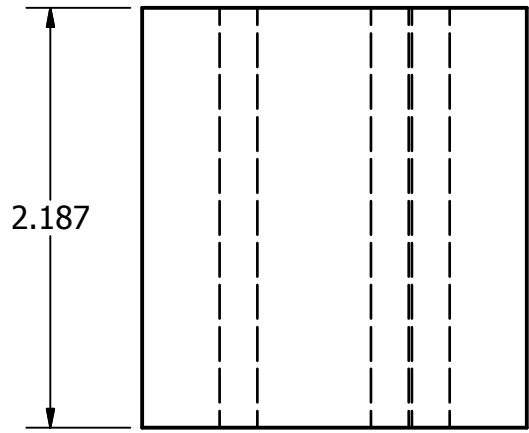


DRAWN	3/16/2009	TITLE		
Patricia				
CHECKED		SIZE	DWG NO	REV
QA		A	GridHolder	-
MFG		SCALE	SHEET 2 OF 3	
APPROVED				



Clearance for a 1/4-20 "B" (2X)

Clearance for an M3 "A" (2X)



I had a couple thoughts on this block since it got so big. I thought that maybe the last bit could be threaded to use a set screw with a key or we could stick with countersunk or counterbored screws.

DRAWN Patricia	3/16/2009	TITLE  OptiGrid Holder		
CHECKED				
QA		SIZE A	DWG NO GridHolder	REV -
MFG		SCALE		
APPROVED		SHEET 3 OF 3		