

# Appendix 2:

---

## *Parts List*

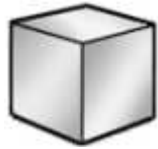
# Aluminum

Part Number: **89015K37**

\$14.58 Each

Material	Multipurpose Aluminum (Alloy 6061)
Finish/Coating	Unpolished (Mill)
Shape	Sheets, Bars, Strips, and Cubes
Sheets, Bars, Strips, and Cubes Type	Plain
Edge Type	Square
Tolerance	Standard
Thickness	1/16"
Thickness Tolerance	±.004"
Length	12"
Length Tolerance	±1/8"
Width	12"
Width Tolerance	±1/16"
Material Certification	Without Material Certification
Temper	T6
Hardness	95 Brinell
Yield Strength	35,000 to 40,000 psi
Flatness Tolerance	Not Rated
Temperature Range	-320° to +300° F
Specifications Met	American Society for Testing and Materials (ASTM)
ASTM Specification	ASTM B209
WARNING	Hardness and yield strength are not guaranteed and are intended only as a basis for comparison.

# Aluminum

Part Number: **9057K82**

\$62.99 Each

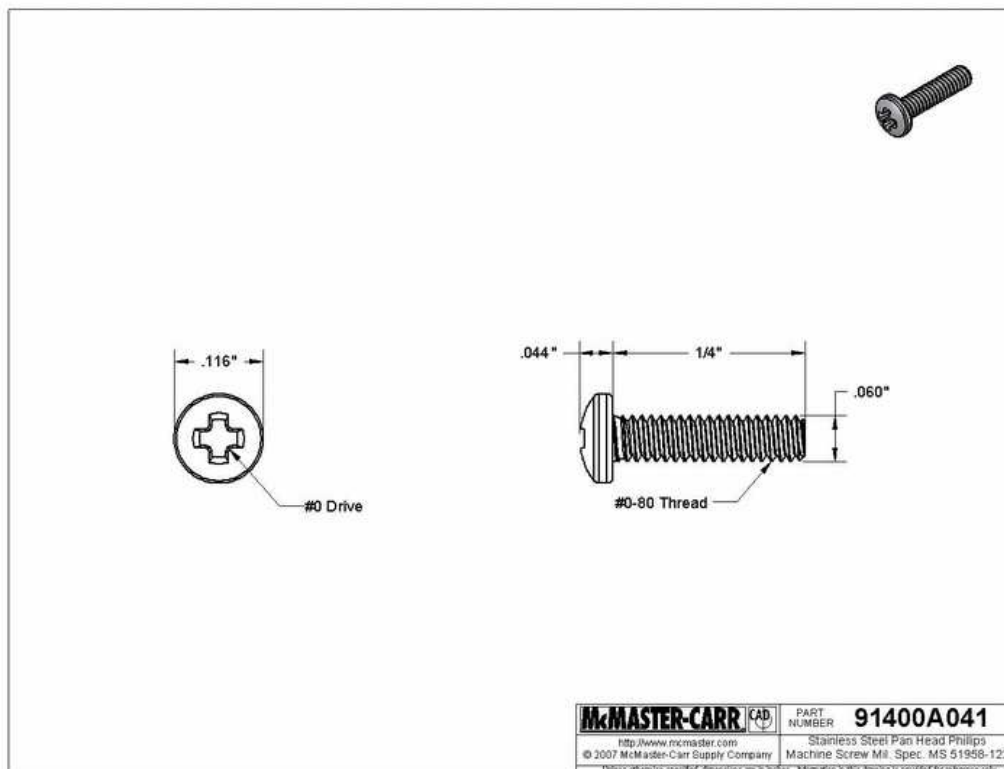
Material	Multipurpose Aluminum (Alloy 6061)
Finish/Coating	Precision Ground
Shape	Sheets, Bars, Strips, and Cubes
Sheets, Bars, Strips, and Cubes Type	Plain
Edge Type	Square
Tolerance	Tight
Thickness	3"
Thickness Tolerance	±.002"
Length	3"
Length Tolerance	±.002"
Width	3"
Width Tolerance	±.002"
Material Certification	With Material Certification
Material Certification Includes	Traceable lot number and physical test report.
Temper	T651
Hardness	95 Brinell
Yield Strength	40,000 psi
Temperature Range	-320° to +300° F
Application	Blanks
Specifications Met	American Society for Testing and Materials (ASTM)
ASTM Specification	ASTM B209
WARNING	Hardness and yield strength are not guaranteed and are intended only as a basis for comparison.

## Machine Screws

Part Number: **91400A041**

\$11.56 per Pack of 100

Head Style	Pan
Pan Head Style	Pan
Material Type	Stainless Steel
Finish	Plain
Stainless Steel Type	300 Series Stainless Steel
Self Locking Element	None
Drive Style	Phillips
System of Measurement	Inch
Inch Thread Size	0-80
Thread Length	Fully Threaded
Length	1/4"
Decimal Size	.060"
Head Diameter	.116"
Head Height	.044"
Drive	#0
Rockwell Hardness	Not Rated
Minimum Tensile Strength	Not Rated
Thread Fit	Class 2A
Specifications Met	Federal Specifications (FED), Military Specifications (MIL)
FED Specification	FF-S-92, QQ-P-35
MIL Specification	MIL 51958
MIL 51958 Dash #	122
Screw Quantity	Individual Screw
Notes	Screw is passivated (treated with nitric acid to create a film that protects against oxidation and corrosion).



<b>McMASTER-CARR</b> CAD	PART NUMBER	<b>91400A041</b>
http://www.mcmaster.com	Stainless Steel Pan Head Phillips	
© 2007 McMaster-Carr Supply Company	Machine Screw Mil. Spec. MS 51958-122	
<small>Unless otherwise specified, dimensions are in inches. Information in this drawing is provided for reference only.</small>		

---

**McMASTER-CARR.** © McMaster-Carr Supply Company. All rights reserved.