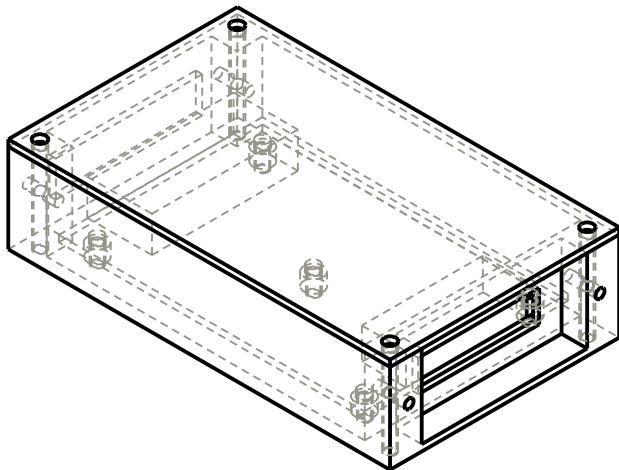
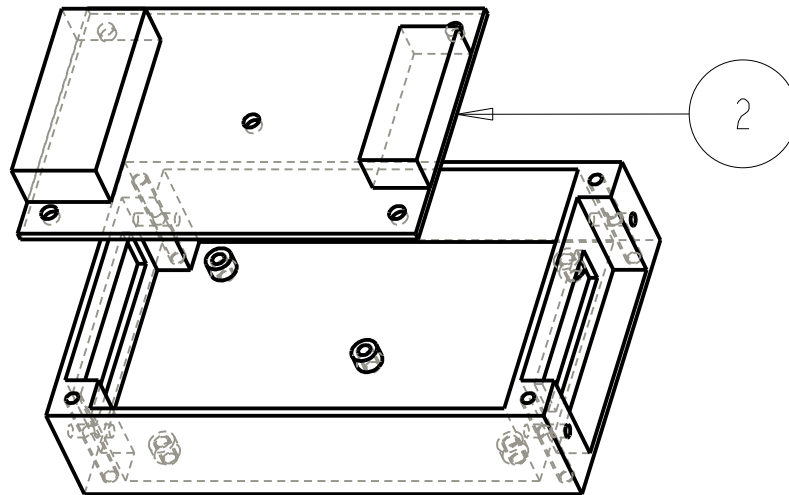
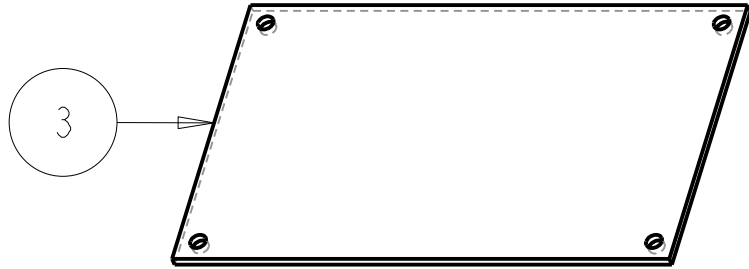


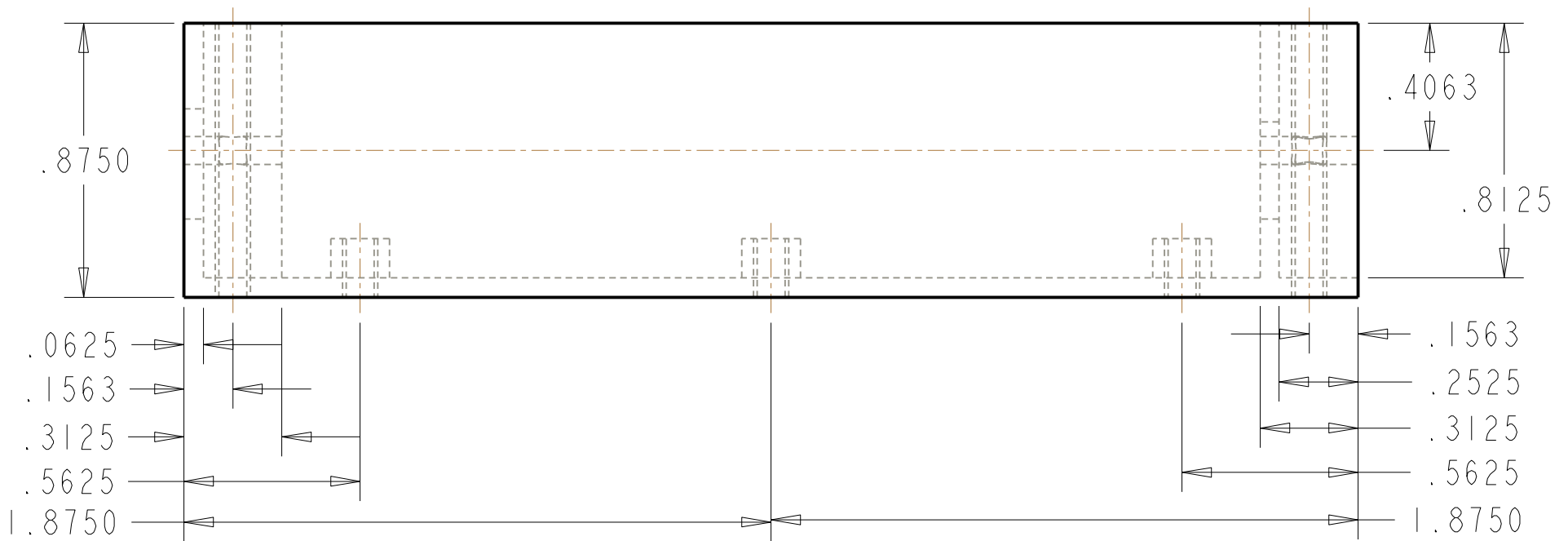
<p>TOLERANCES</p> <p>x.x ±0.1</p> <p>x.xx ±0.01</p> <p>x.xxx ±0.001</p> <p>x.xxxx ±0.0001</p>	ENCLOSURE		
	<p>MECHANICAL ENGINEERING DEPARTMENT</p> <p>KATE GLEASON COLLEGE OF ENGINEERING</p> <p>ROCHESTER INSTITUTE OF TECHNOLOGY</p>		
ANTHONY J. BERWIN	1.00:1	ENCLOSURE_PRINT	B
06-Apr-09		SHEET 1 OF 2	A

PARTS LIST	
INDEX	PART
1	BOTTOM
2	PCB
3	TOP

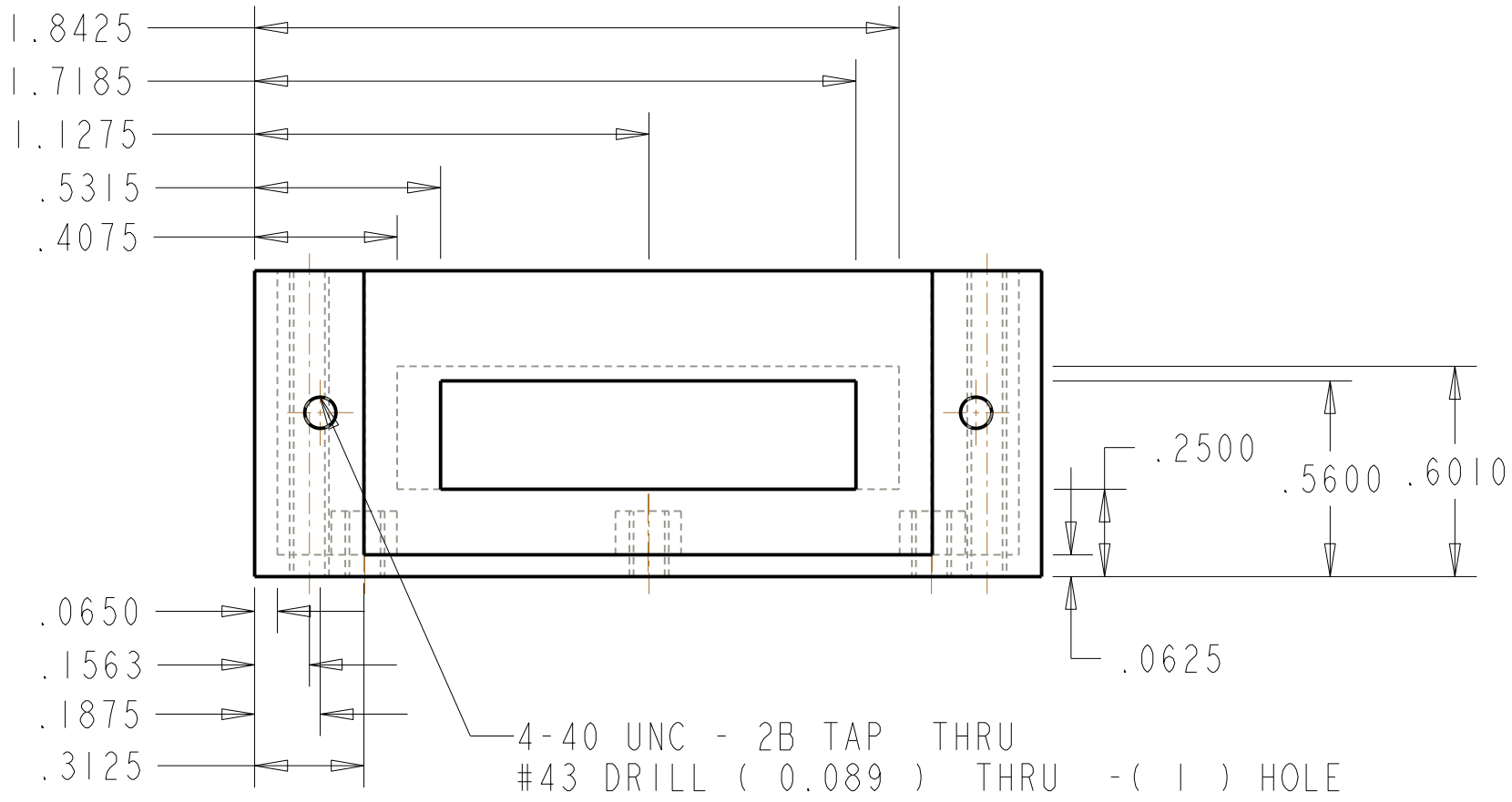


TOLERANCES	
x . x	+ - 0 . 1
x . x x	+ - 0 . 0 1
x . x x x	+ - 0 . 0 0 1
x . x x x x	+ - 0 . 0 0 0 1
ANTHONY J. BERWIN	
06-Apr-09	

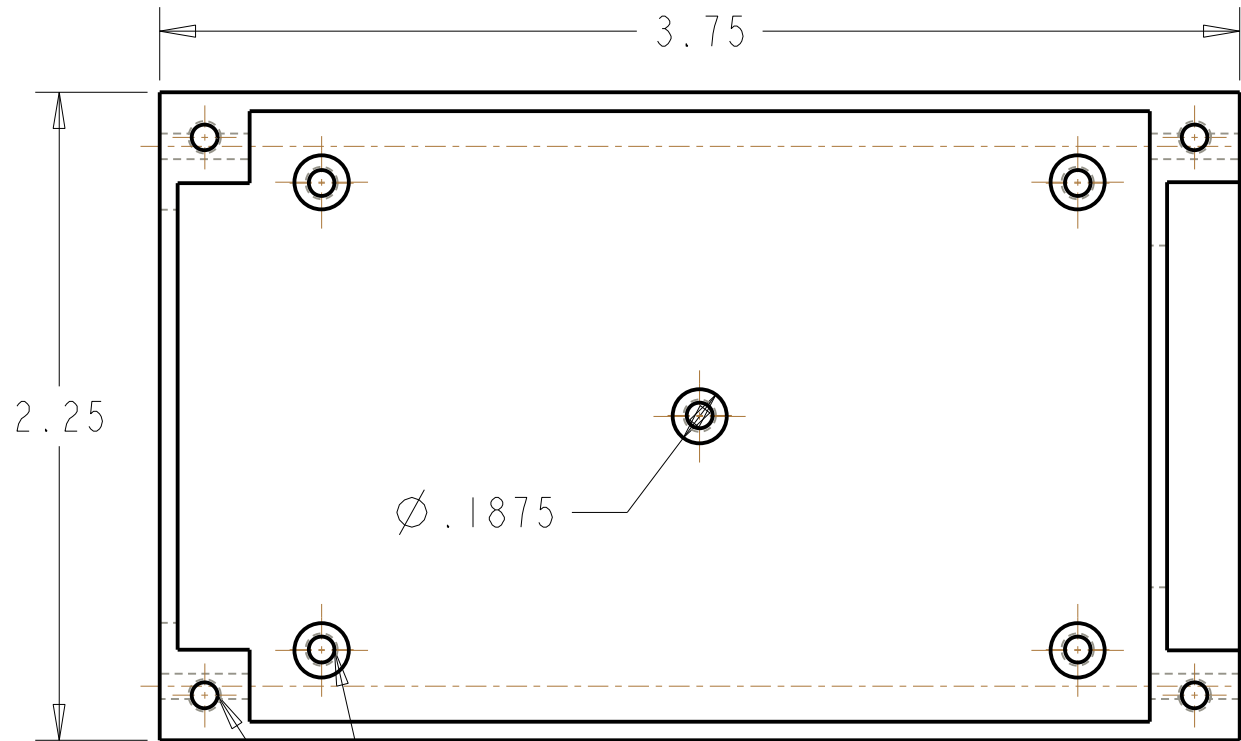
ENCLOSURE		
MECHANICAL ENGINEERING DEPARTMENT KATE GLEASON COLLEGE OF ENGINEERING ROCHESTER INSTITUTE OF TECHNOLOGY		
0.75:1	ENCLOSURE_PRINT	B
	SHEET 2 OF 2	A



TOLERANCES x . x ± 0 . 1 x . x x ± 0 . 01 x . x x x ± 0 . 001 x . x x x x ± 0 . 0001	BOTTOM		
	MECHANICAL ENGINEERING DEPARTMENT KATE GLEASON COLLEGE OF ENGINEERING ROCHESTER INSTITUTE OF TECHNOLOGY		
ANTHONY J. BERWIN	2.00:1	BOTTOM_PRINT	B
06-Apr-09	ALUMINUM	SHEET 1 OF 4	A



TOLERANCES x . x ± 0.1 x . x x ± 0.01 x . x x x ± 0.001 x . x x x x ± 0.0001	BOTTOM		
	MECHANICAL ENGINEERING DEPARTMENT KATE GLEASON COLLEGE OF ENGINEERING ROCHESTER INSTITUTE OF TECHNOLOGY		
ANTHONY J. BERWIN	2.00:1	BOTTOM_PRINT	B
06-Apr-09	ALUMINUM	SHEET 2 OF 4	A

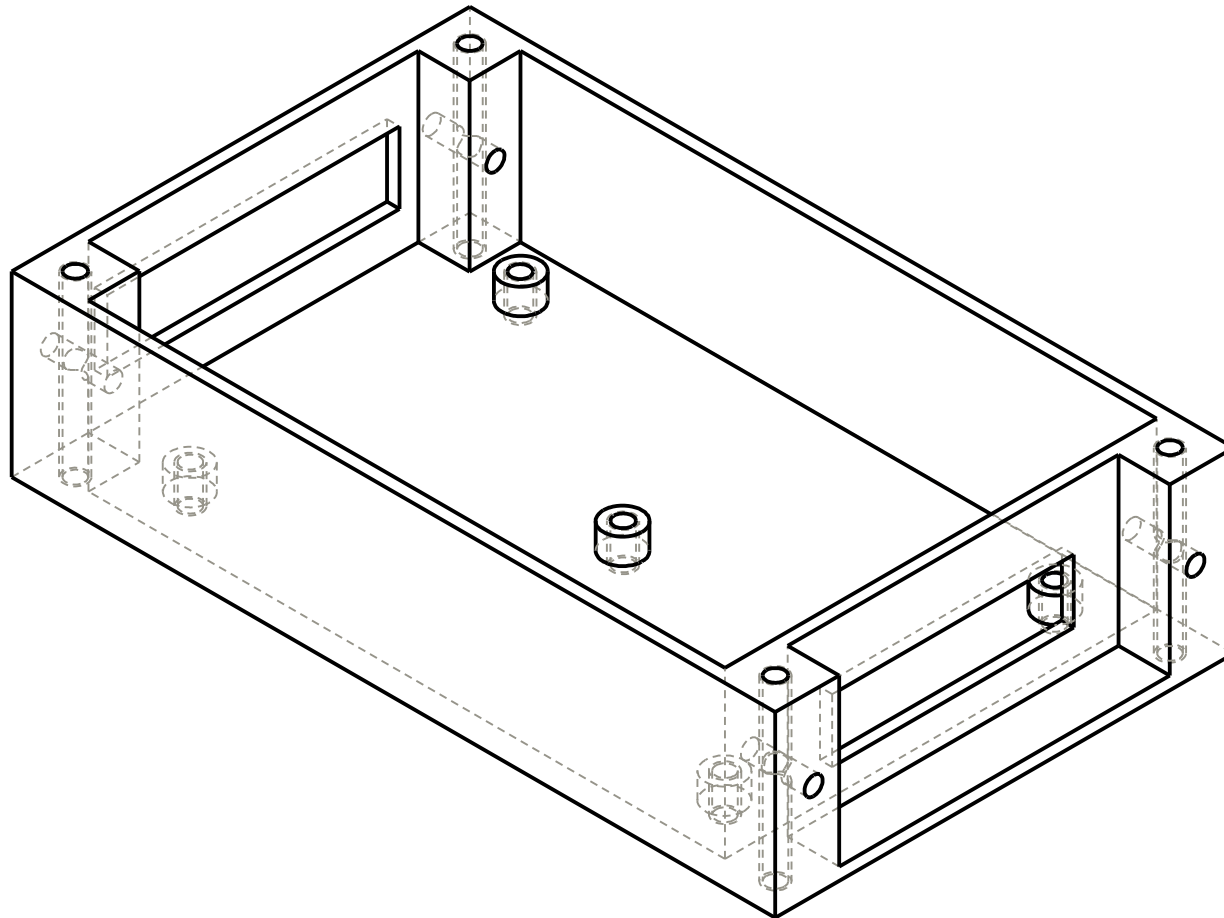


4-40 UNC - 2B TAP THRU
 #43 DRILL (0.089) THRU - (1) HOLE

4-40 UNC - 2B TAP THRU
 #43 DRILL (0.089) THRU - (1) HOLE

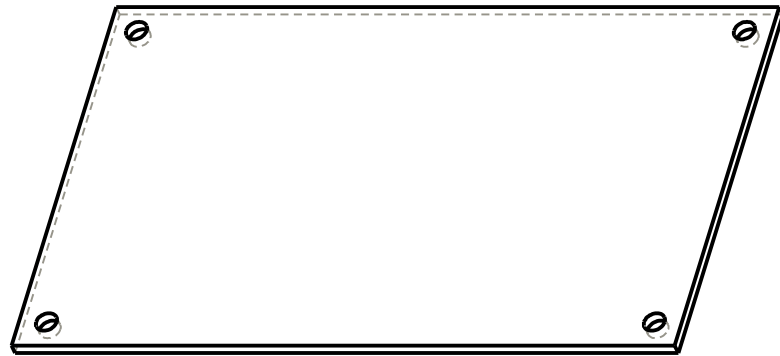
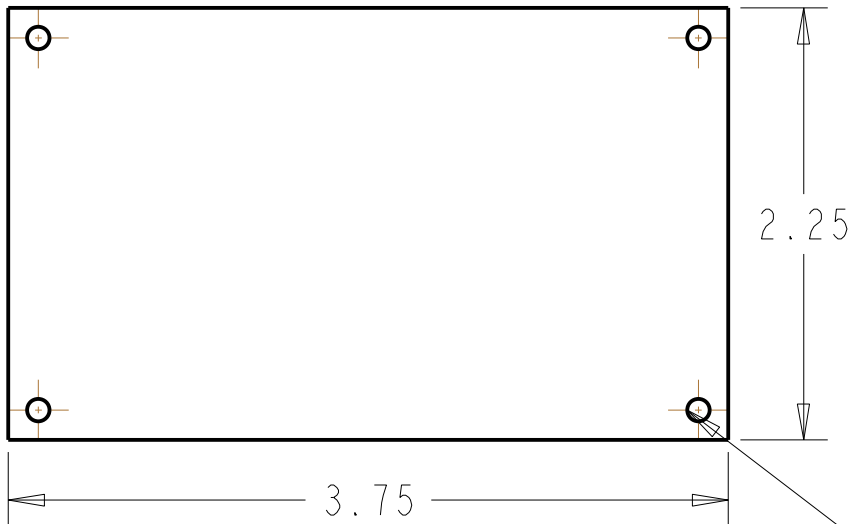
TOLERANCES	
x . x	+ - 0 . 1
x . x x	+ - 0 . 01
x . x x x	+ - 0 . 001
x . x x x x	+ - 0 . 0001
ANTHONY J. BERWIN	
06-Apr-09	

BOTTOM		
MECHANICAL ENGINEERING DEPARTMENT KATE GLEASON COLLEGE OF ENGINEERING ROCHESTER INSTITUTE OF TECHNOLOGY		
2.00:1	BOTTOM_PRINT	B
ALUMINUM	SHEET 3 OF 4	A

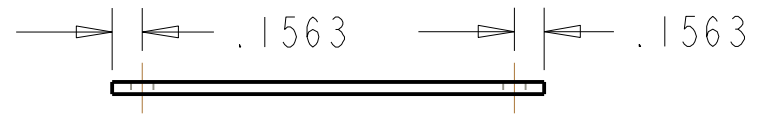
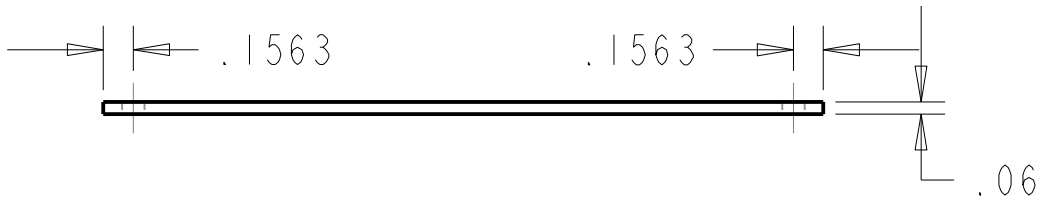


SCALE 1.500

TOLERANCES		BOTTOM		
x.x	+/-0.1	MECHANICAL ENGINEERING DEPARTMENT KATE GLEASON COLLEGE OF ENGINEERING ROCHESTER INSTITUTE OF TECHNOLOGY		
x.xx	+/-0.01			
x.xxx	+/-0.001			
x.xxxx	+/-0.0001			
ANTHONY J. BERWIN		2.00:1	BOTTOM_PRINT	B
06-Apr-09		ALUMINUM	SHEET 4 OF 4	A



4-40 UNC - 2B CLEAR
 #32 DRILL (0.116) THRU - (1) HOLE



TOLERANCES x . x + - 0 . 1 x . x x + - 0 . 01 x . x x x + - 0 . 001 x . x x x x + - 0 . 0001	TOP		
	MECHANICAL ENGINEERING DEPARTMENT KATE GLEASON COLLEGE OF ENGINEERING ROCHESTER INSTITUTE OF TECHNOLOGY		
ANTHONY J. BERWIN	1.00:1	TOP	B
06-Apr-09	ALUMINUM	SHEET 1 OF 1	A