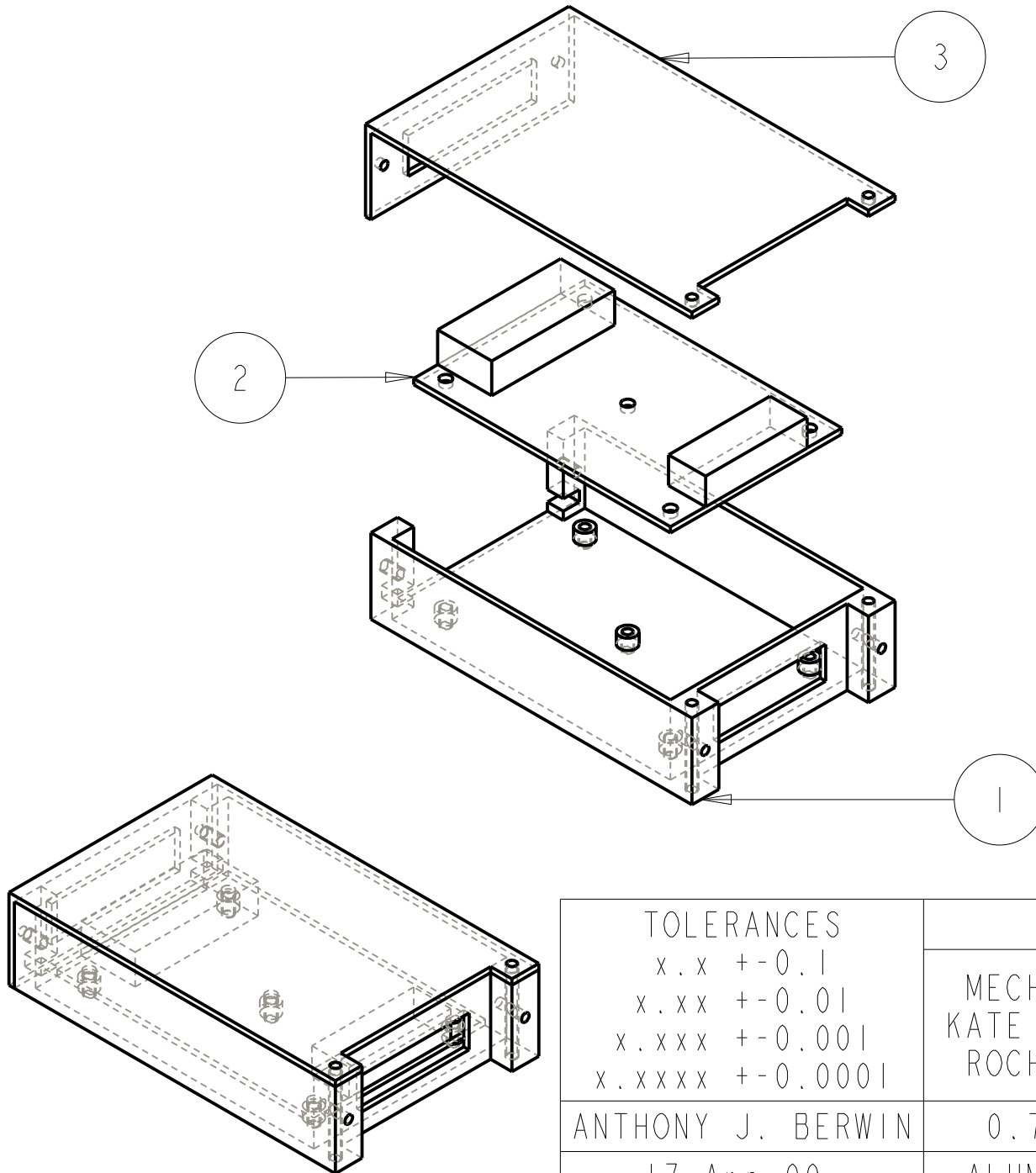
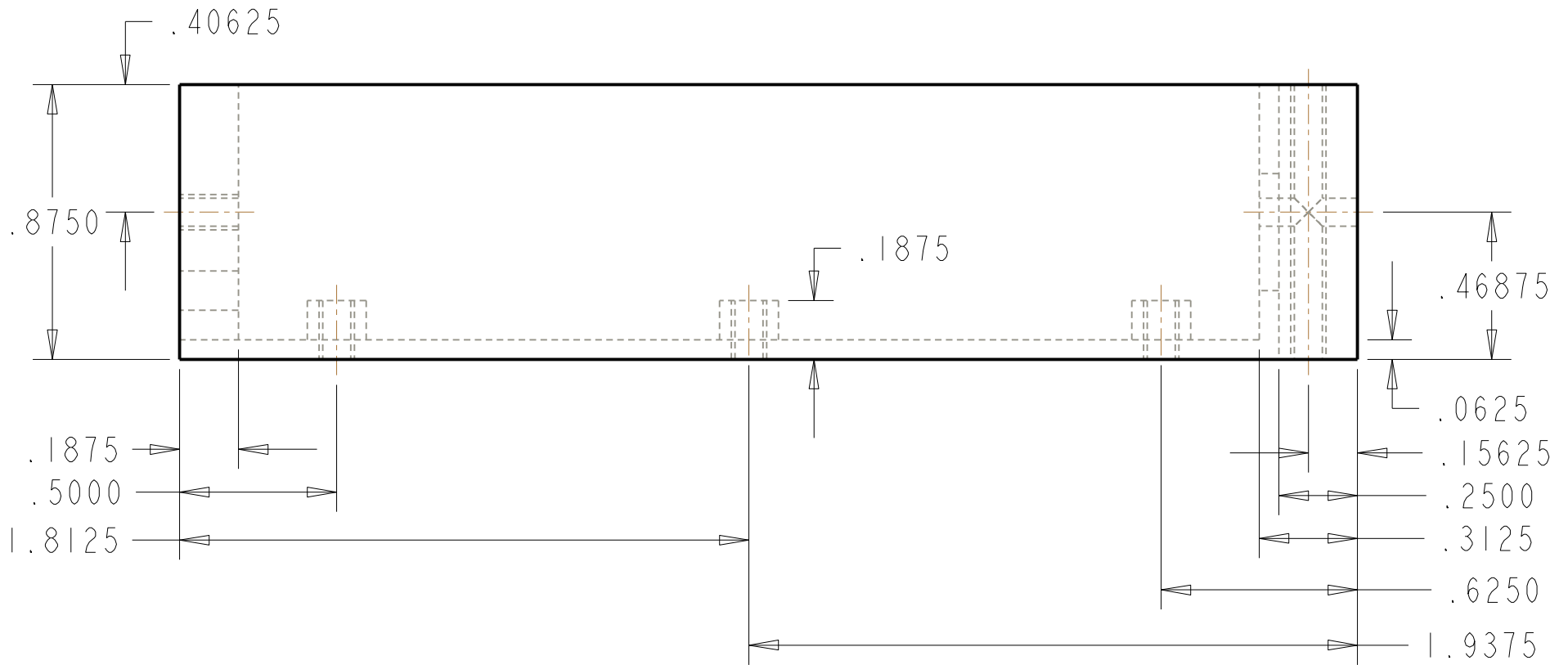


<p style="text-align: center;">TOLERANCES</p> <p style="text-align: center;">x . x ± 0.1</p> <p style="text-align: center;">x . xx ± 0.01</p> <p style="text-align: center;">x . xxx ± 0.001</p> <p style="text-align: center;">x . xxxx ± 0.0001</p>	ENCLOSURE		
	<p>MECHANICAL ENGINEERING DEPARTMENT</p> <p>KATE GLEASON COLLEGE OF ENGINEERING</p> <p>ROCHESTER INSTITUTE OF TECHNOLOGY</p>		
ANTHONY J. BERWIN	1.00:1	ENCLOSURE	C
17-Apr-09	ALUMINUM	SHEET 1 OF 2	A

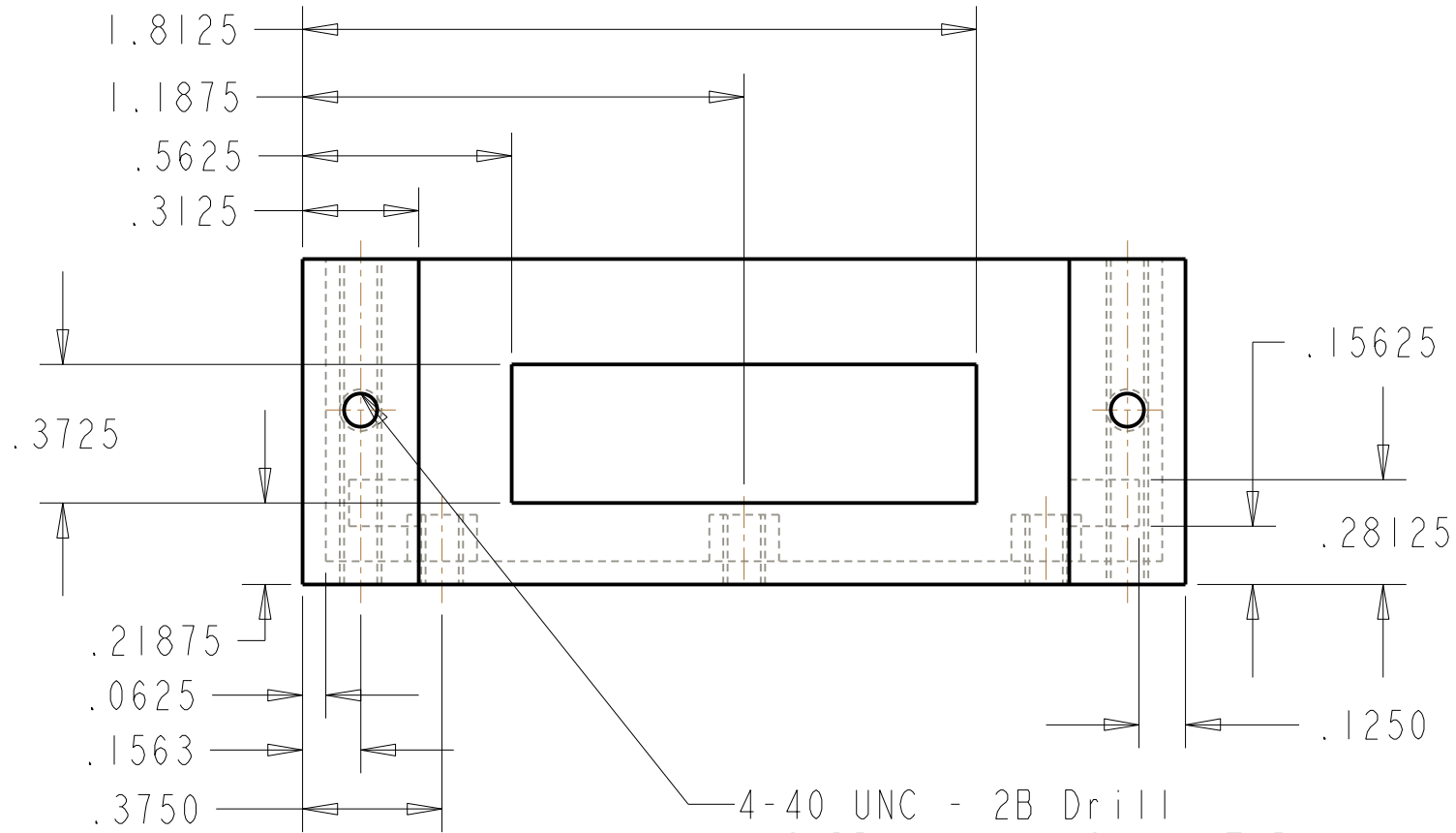
PARTS LIST	
INDEX	PART
1	BOTTOM
2	PCB
3	TOP



TOLERANCES		ENCLOSURE		
x . x	+ - 0 . 1	MECHANICAL ENGINEERING DEPARTMENT KATE GLEASON COLLEGE OF ENGINEERING ROCHESTER INSTITUTE OF TECHNOLOGY		
x . xx	+ - 0 . 01			
x . xxx	+ - 0 . 001			
x . xxxx	+ - 0 . 0001			
ANTHONY J. BERWIN		0.75:1	ENCLOSURE	C
17-Apr-09		ALUMINUM	SHEET 2 OF 2	A

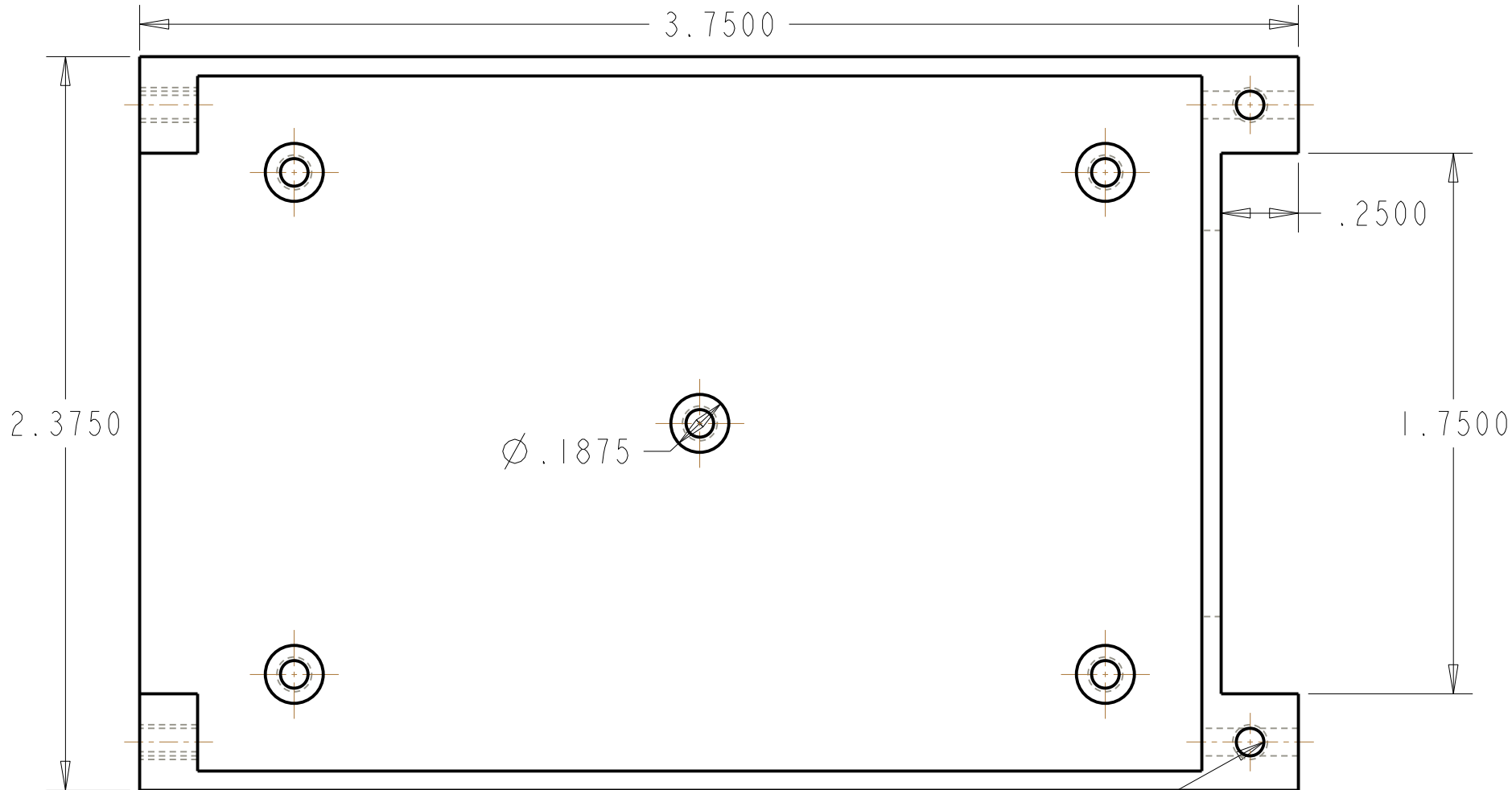


<p>TOLERANCES</p> <p>x . x +/- 0.1</p> <p>x . xx +/- 0.01</p> <p>x . xxx +/- 0.001</p> <p>x . xxxx +/- 0.0001</p>	BOTTOM		
	<p>MECHANICAL ENGINEERING DEPARTMENT</p> <p>KATE GLEASON COLLEGE OF ENGINEERING</p> <p>ROCHESTER INSTITUTE OF TECHNOLOGY</p>		
ANTHONY J. BERWIN	2.00:1	BOTTOM	C
17-Apr-09	ALUMINUM	SHEET 1 OF 4	A



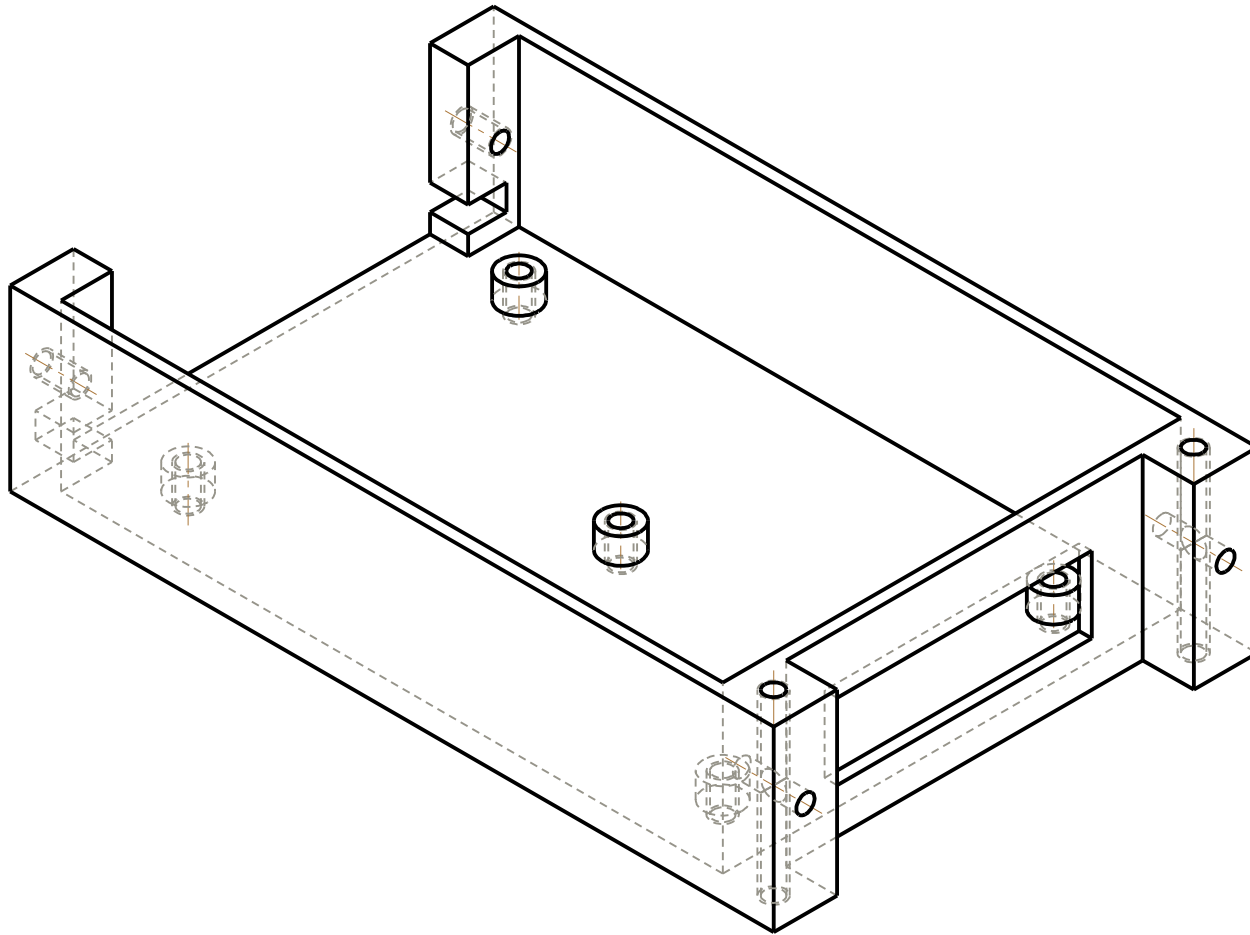
4-40 UNC - 2B Drill
 #43 DRILL (0.089) THRU - (1) HOLE

TOLERANCES x . x ± 0.1 x . x x ± 0.01 x . x x x ± 0.001 x . x x x x ± 0.0001	BOTTOM		
	MECHANICAL ENGINEERING DEPARTMENT KATE GLEASON COLLEGE OF ENGINEERING ROCHESTER INSTITUTE OF TECHNOLOGY		
ANTHONY J. BERWIN	2.00:1	BOTTOM	C
17-Apr-09	ALUMINUM	SHEET 2 OF 4	A



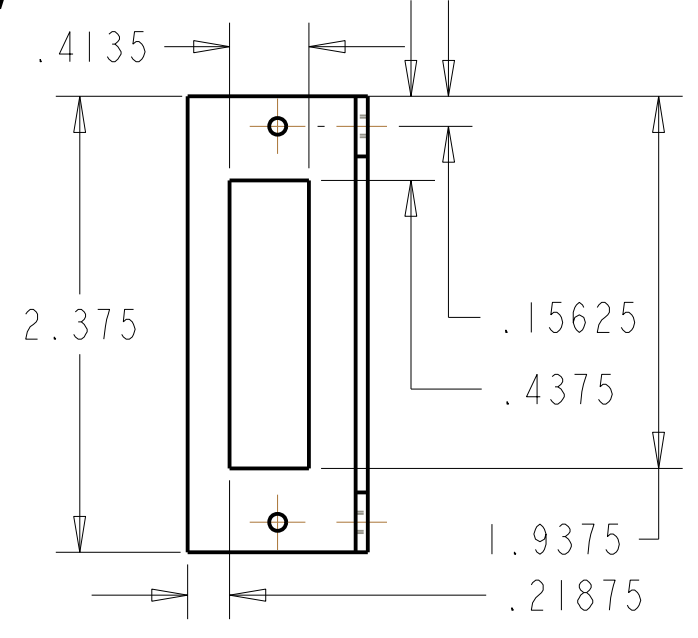
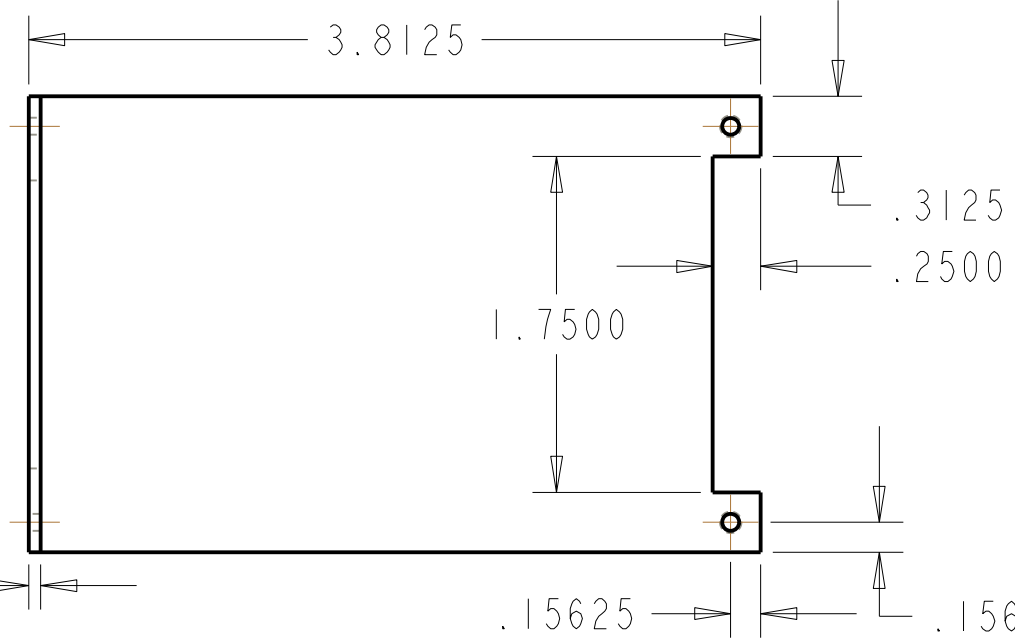
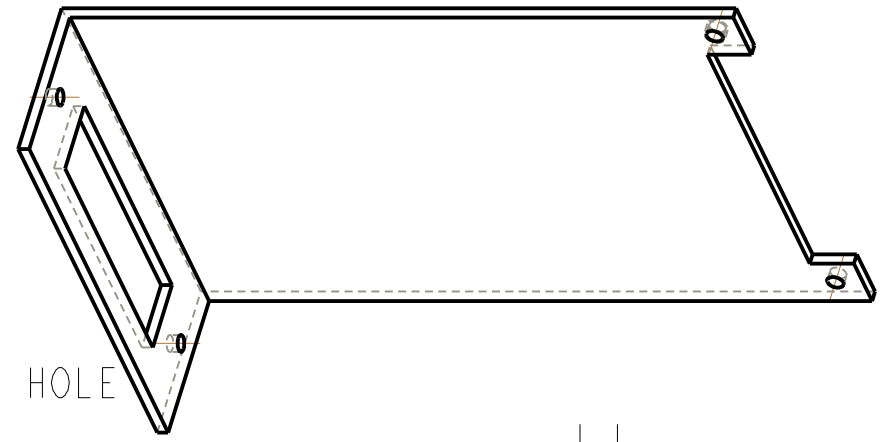
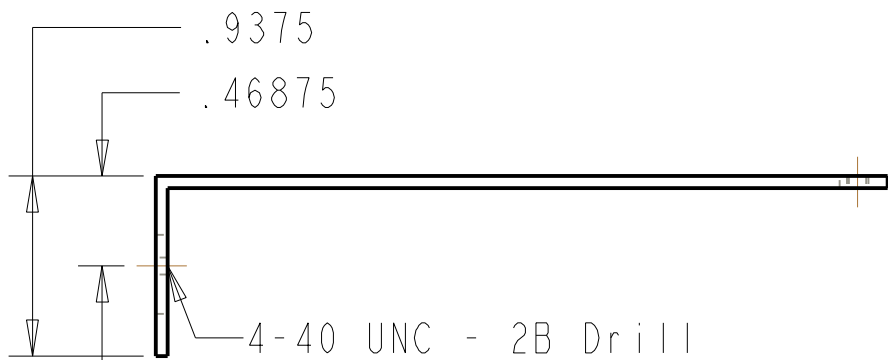
4-40 UNC - 2B TAP THRU
 #43 DRILL (0.089) THRU - (1) HOLE

TOLERANCES x . x ± 0.1 x . xx ± 0.01 x . xxx ± 0.001 x . xxxx ± 0.0001	BOTTOM		
	MECHANICAL ENGINEERING DEPARTMENT KATE GLEASON COLLEGE OF ENGINEERING ROCHESTER INSTITUTE OF TECHNOLOGY		
ANTHONY J. BERWIN	2.00:1	BOTTOM	C
17-Apr-09	ALUMINUM	SHEET 3 OF 4	A



SCALE 1.500

<p>TOLERANCES</p> <p>x.x ± 0.1</p> <p>x.xx ± 0.01</p> <p>x.xxx ± 0.001</p> <p>x.xxxx ± 0.0001</p>	BOTTOM		
	<p>MECHANICAL ENGINEERING DEPARTMENT</p> <p>KATE GLEASON COLLEGE OF ENGINEERING</p> <p>ROCHESTER INSTITUTE OF TECHNOLOGY</p>		
ANTHONY J. BERWIN	2.00:1	BOTTOM	C
17-Apr-09	ALUMINUM	SHEET 4 OF 4	A



TOLERANCES	
x.x	+/-0.1
x.xx	+/-0.01
x.xxx	+/-0.001
x.xxxx	+/-0.0001
ANTHONY J. BERWIN	
16-Apr-09	

TOP		
MECHANICAL ENGINEERING DEPARTMENT KATE GLEASON COLLEGE OF ENGINEERING ROCHESTER INSTITUTE OF TECHNOLOGY		
1.00:1	TOP	C
ALUMINUM	SHEET 1 OF 1	A