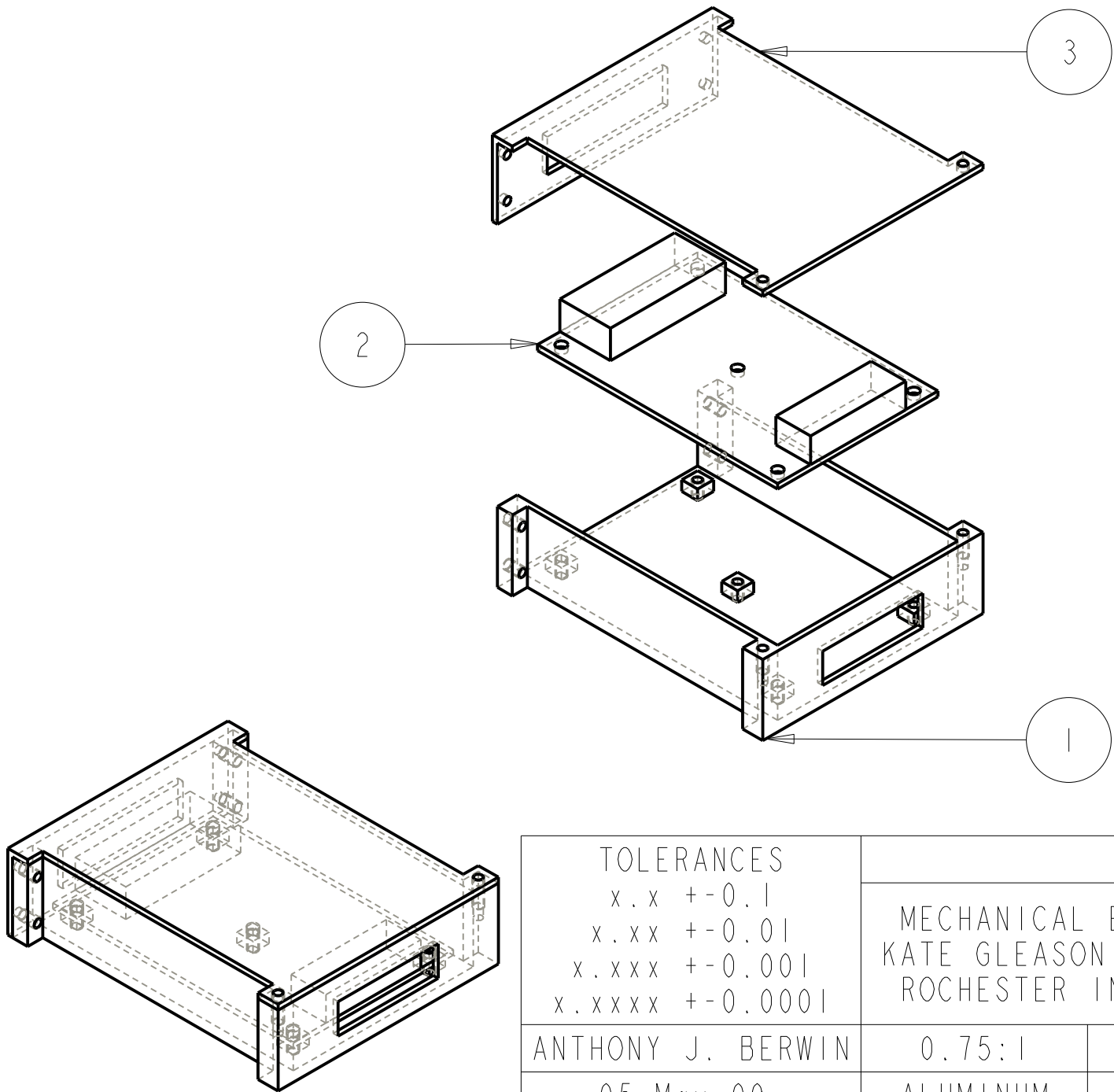


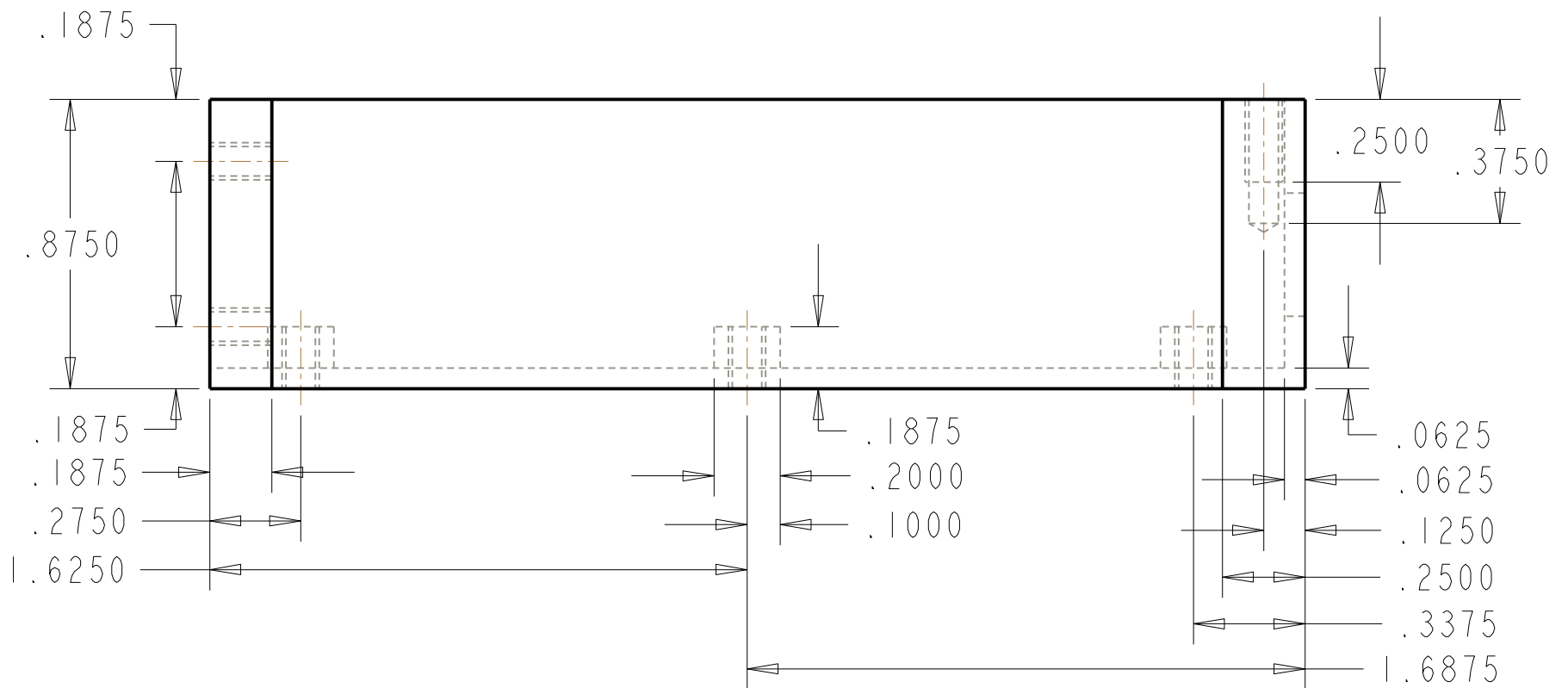
TOLERANCES	
x.x	+/-0.1
x.xx	+/-0.01
x.xxx	+/-0.001
x.xxxx	+/-0.0001
ANTHONY J. BERWIN	
05-May-09	

ENCLOSURE		
MECHANICAL ENGINEERING DEPARTMENT KATE GLEASON COLLEGE OF ENGINEERING ROCHESTER INSTITUTE OF TECHNOLOGY		
1.00:1	ENCLOSURE	E
ALUMINUM	SHEET 1 OF 2	A

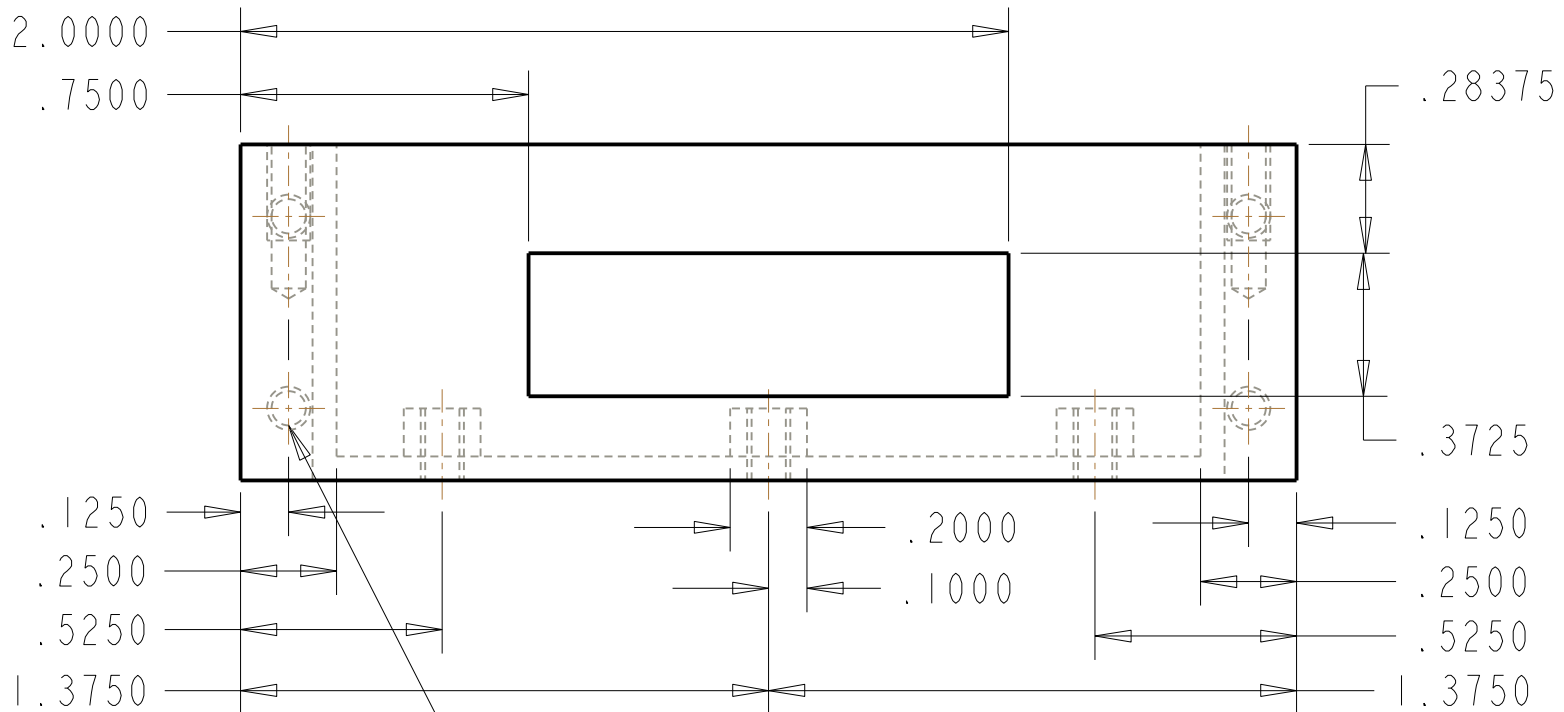
PARTS LIST	
INDEX	PART
1	BOTTOM
2	PCB
3	TOP



TOLERANCES	ENCLOSURE		
	x.x ± 0.1 x.xx ± 0.01 x.xxx ± 0.001 x.xxxx ± 0.0001	MECHANICAL ENGINEERING DEPARTMENT KATE GLEASON COLLEGE OF ENGINEERING ROCHESTER INSTITUTE OF TECHNOLOGY	
ANTHONY J. BERWIN	0.75:1	ENCLOSURE	E
05-May-09	ALUMINUM	SHEET 2 OF 2	A



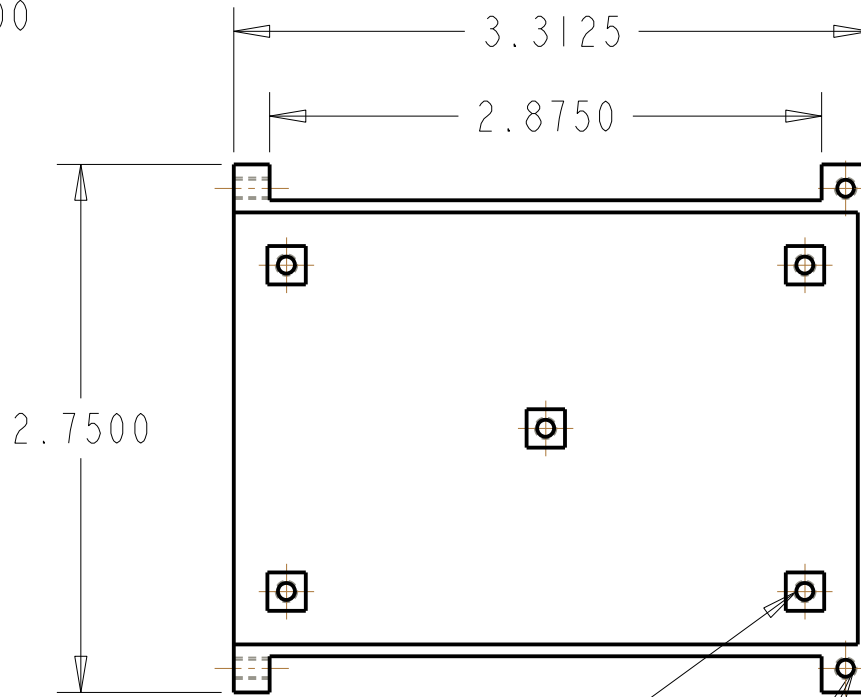
TOLERANCES		BOTTOM		
x . x	+ - 0 . 1	MECHANICAL ENGINEERING DEPARTMENT KATE GLEASON COLLEGE OF ENGINEERING ROCHESTER INSTITUTE OF TECHNOLOGY		
x . x x	+ - 0 . 01			
x . x x x	+ - 0 . 001			
x . x x x x	+ - 0 . 0001			
ANTHONY J. BERWIN		2.00:1	BOTTOM	E
05-May-09		ALUMINUM	SHEET 1 OF 4	A



4-40 UNC - 2B TAP ∇ 0.500
#43 DRILL (0.089) ∇ 0.500 - (1) HOLE

TOLERANCES x . x + - 0 . 1 x . x x + - 0 . 0 1 x . x x x + - 0 . 0 0 1 x . x x x x + - 0 . 0 0 0 1	BOTTOM		
	MECHANICAL ENGINEERING DEPARTMENT KATE GLEASON COLLEGE OF ENGINEERING ROCHESTER INSTITUTE OF TECHNOLOGY		
ANTHONY J. BERWIN	2.00:1	BOTTOM	E
05-May-09	ALUMINUM	SHEET 2 OF 4	A

SCALE 1.000

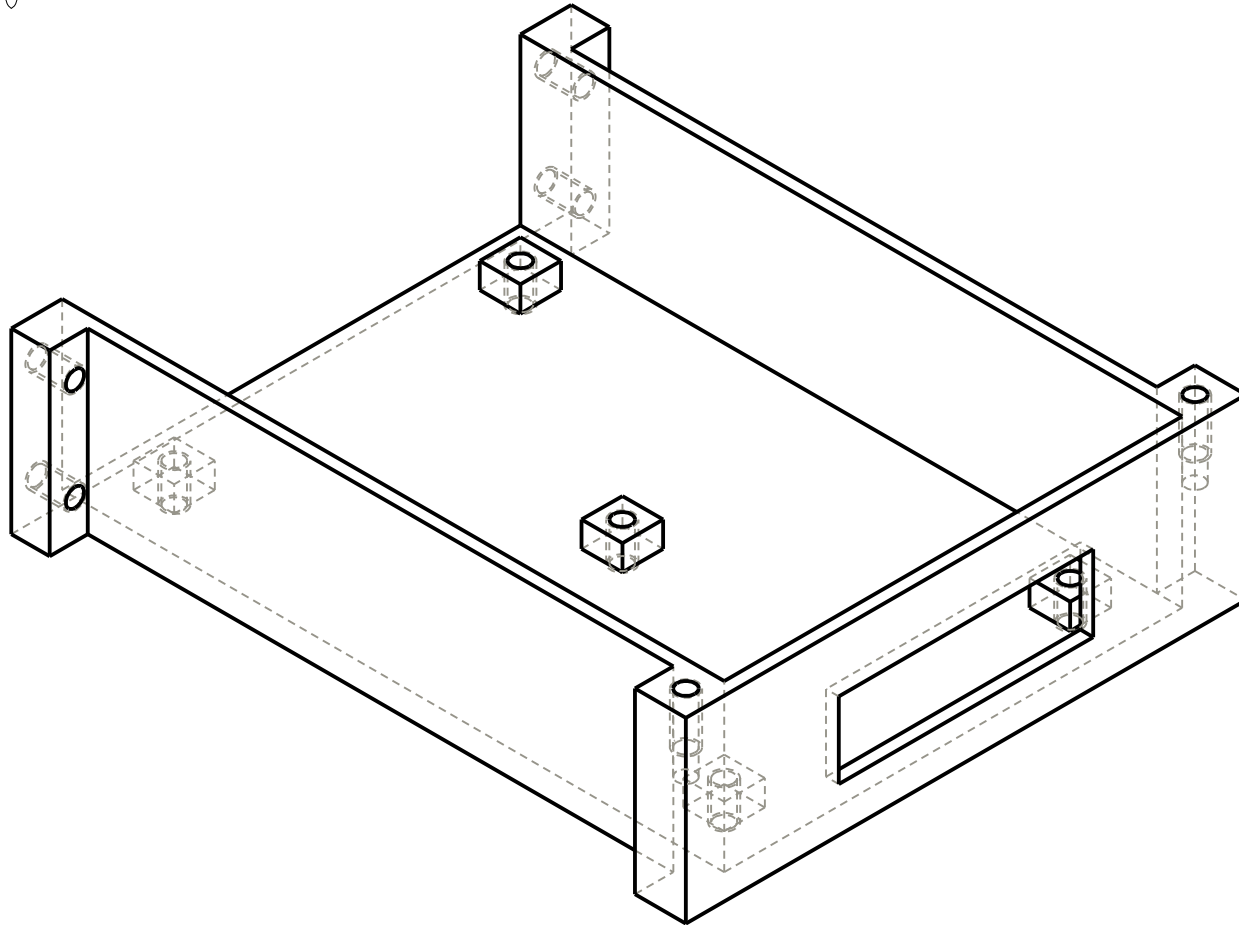


4-40 UNC - 2B TAP THRU
 #43 DRILL (0.089) THRU - (1) HOLE

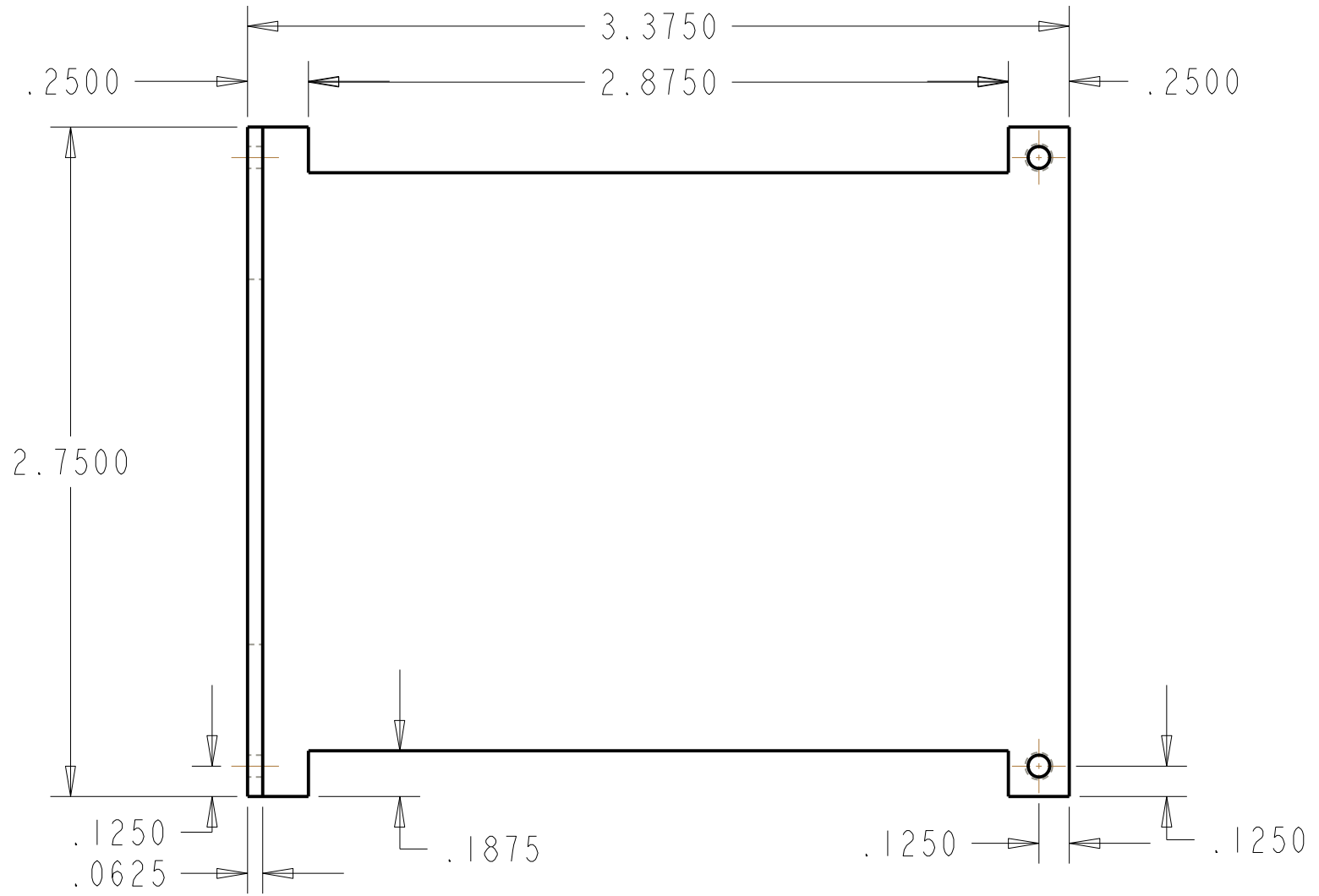
4-40 UNC - 2B TAP ∇ 0.250
 #43 DRILL (0.089) ∇ 0.375 - (1) HOLE

TOLERANCES x . x \pm 0.1 x . xx \pm 0.01 x . xxx \pm 0.001 x . xxxx \pm 0.0001	BOTTOM		
	MECHANICAL ENGINEERING DEPARTMENT KATE GLEASON COLLEGE OF ENGINEERING ROCHESTER INSTITUTE OF TECHNOLOGY		
ANTHONY J. BERWIN	2.00:1	BOTTOM	E
05-May-09	ALUMINUM	SHEET 3 OF 4	A

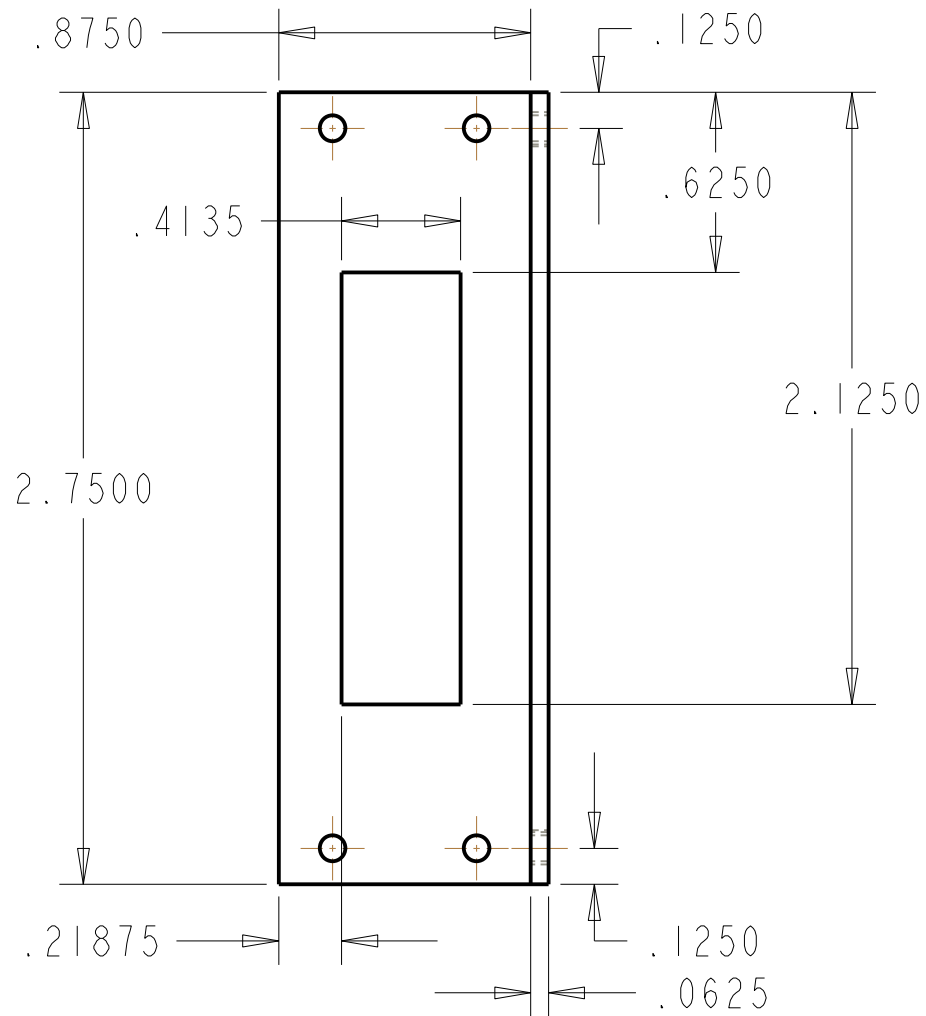
SCALE 1.500



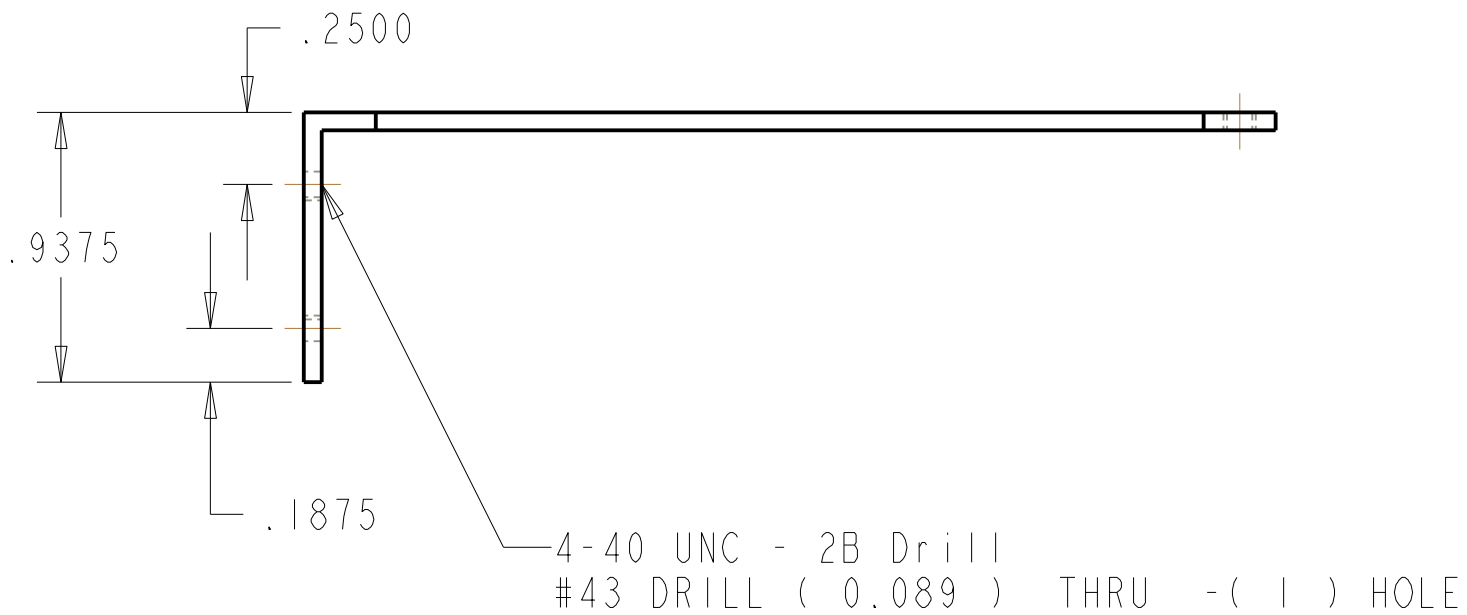
<p>TOLERANCES</p> <p>x.x ± 0.1</p> <p>x.xx ± 0.01</p> <p>x.xxx ± 0.001</p> <p>x.xxxx ± 0.0001</p>	BOTTOM		
	<p>MECHANICAL ENGINEERING DEPARTMENT</p> <p>KATE GLEASON COLLEGE OF ENGINEERING</p> <p>ROCHESTER INSTITUTE OF TECHNOLOGY</p>		
ANTHONY J. BERWIN	2.00:1	BOTTOM	E
05-May-09	ALUMINUM	SHEET 4 OF 4	A



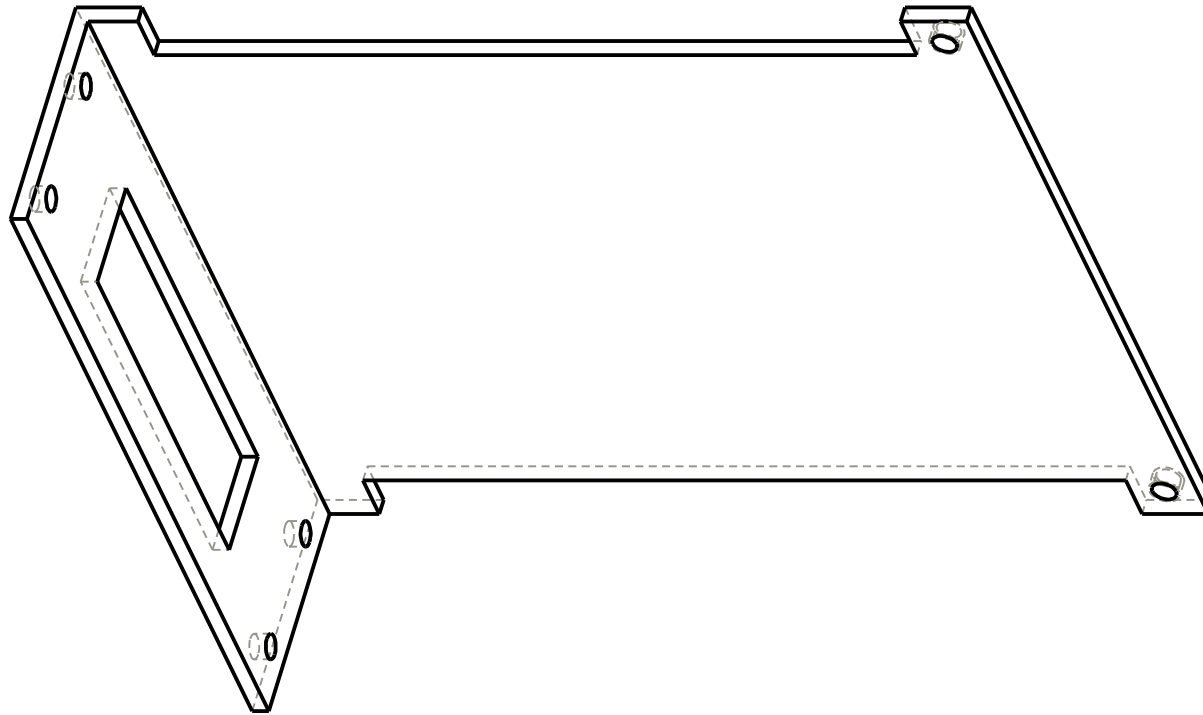
TOLERANCES x.x ±0.1 x.xx ±0.01 x.xxx ±0.001 x.xxxx ±0.0001	TOP		
	MECHANICAL ENGINEERING DEPARTMENT KATE GLEASON COLLEGE OF ENGINEERING ROCHESTER INSTITUTE OF TECHNOLOGY		
ANTHONY J. BERWIN	1.50:1	TOP	E
05-May-09	ALUMINUM	SHEET 1 OF 4	A



TOLERANCES x . x ± 0.1 x . x x ± 0.01 x . x x x ± 0.001 x . x x x x ± 0.0001	TOP		
	MECHANICAL ENGINEERING DEPARTMENT KATE GLEASON COLLEGE OF ENGINEERING ROCHESTER INSTITUTE OF TECHNOLOGY		
ANTHONY J. BERWIN	1.50:1	TOP	E
05-May-09	ALUMINUM	SHEET 2 OF 4	A



TOLERANCES x . x ± 0.1 x . x x ± 0.01 x . x x x ± 0.001 x . x x x x ± 0.0001	TOP		
	MECHANICAL ENGINEERING DEPARTMENT KATE GLEASON COLLEGE OF ENGINEERING ROCHESTER INSTITUTE OF TECHNOLOGY		
ANTHONY J. BERWIN	1.50:1	TOP	E
05-May-09	ALUMINUM	SHEET 3 OF 4	A



TOLERANCES x . x ± 0.1 x . x x ± 0.01 x . x x x ± 0.001 x . x x x x ± 0.0001	TOP		
	MECHANICAL ENGINEERING DEPARTMENT KATE GLEASON COLLEGE OF ENGINEERING ROCHESTER INSTITUTE OF TECHNOLOGY		
ANTHONY J. BERWIN	1.50:1	TOP	E
05-May-09	ALUMINUM	SHEET 4 OF 4	A