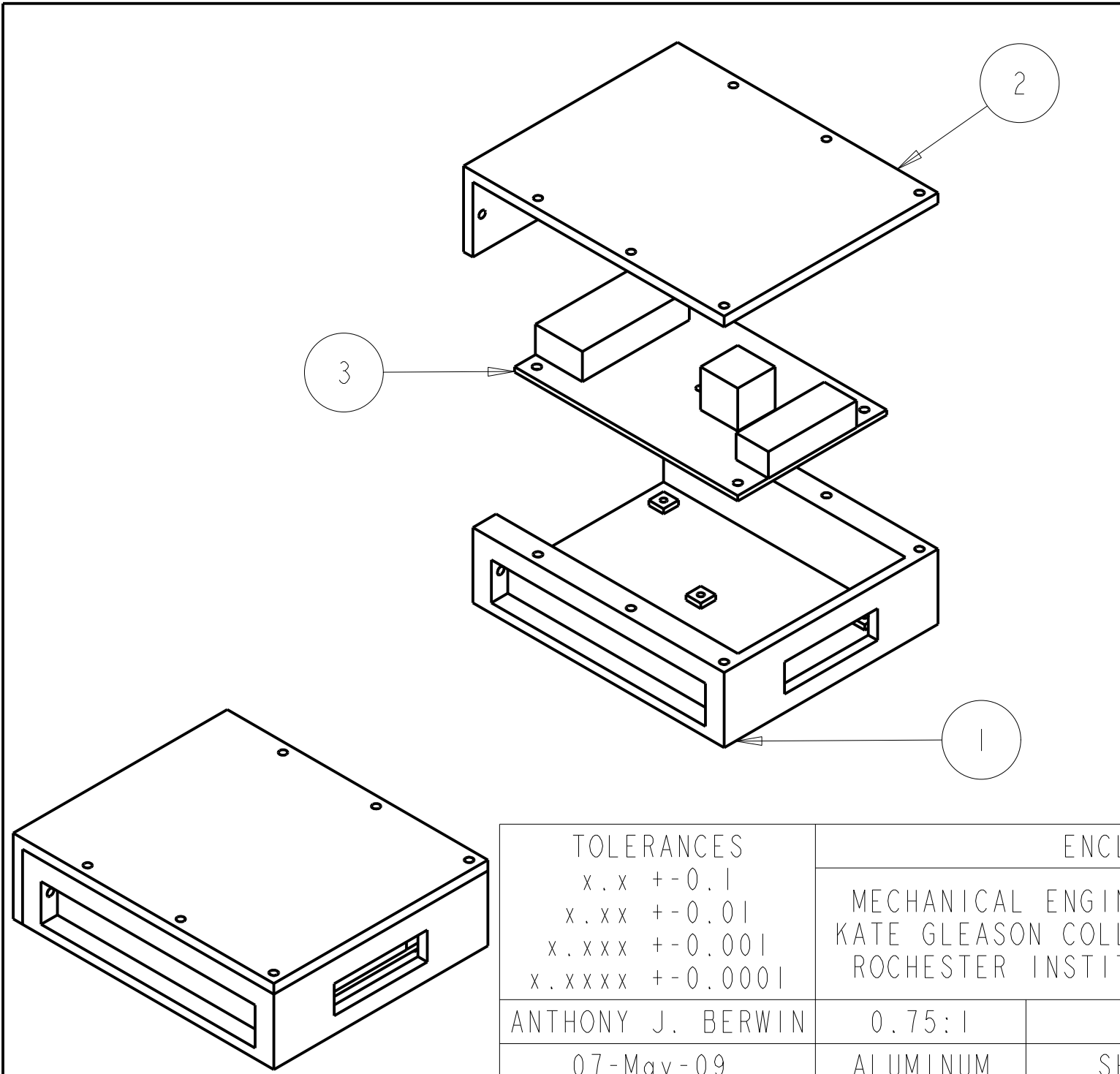


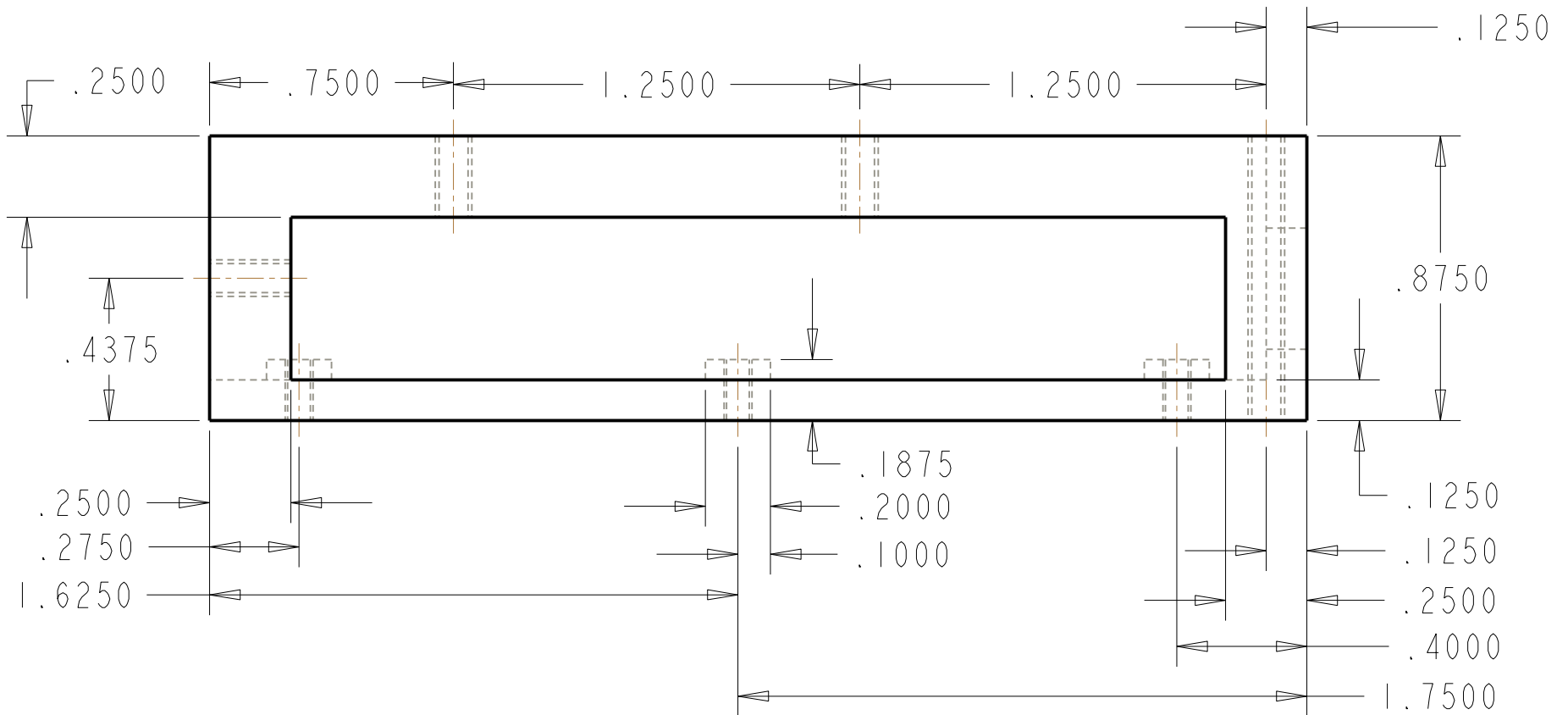
<p style="text-align: center;">TOLERANCES</p> <p style="text-align: center;">x . x ± 0.1</p> <p style="text-align: center;">x . xx ± 0.01</p> <p style="text-align: center;">x . xxx ± 0.001</p> <p style="text-align: center;">x . xxxx ± 0.0001</p>	ENCLOSURE		
	<p>MECHANICAL ENGINEERING DEPARTMENT</p> <p>KATE GLEASON COLLEGE OF ENGINEERING</p> <p>ROCHESTER INSTITUTE OF TECHNOLOGY</p>		
ANTHONY J. BERWIN	1.00:1	ENCLOSURE	G
07-May-09	ALUMINUM	SHEET 1 OF 2	A



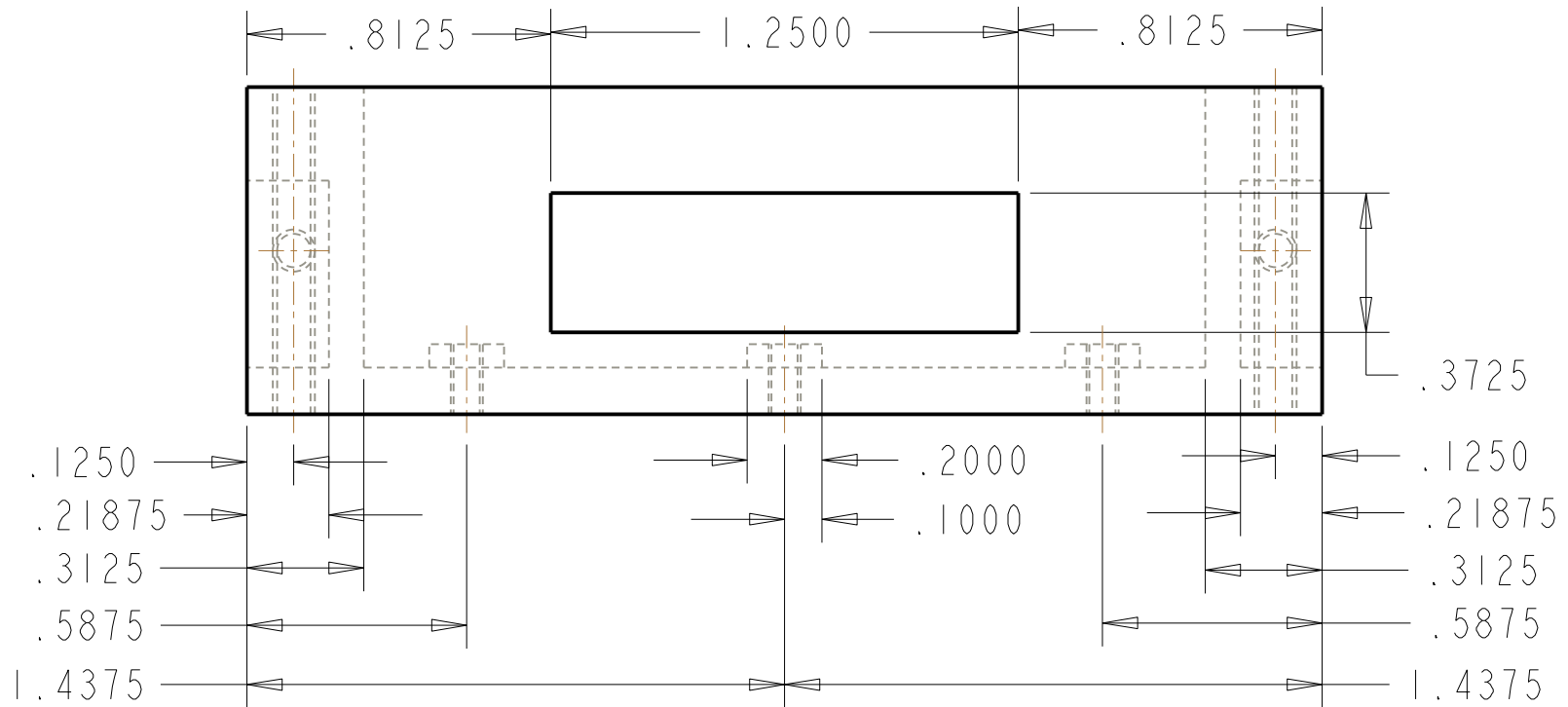
PARTS LIST	
INDEX	PART
1	BOTTOM
2	TOP
3	PCB

TOLERANCES	
x.x	+/-0.1
x.xx	+/-0.01
x.xxx	+/-0.001
x.xxxx	+/-0.0001
ANTHONY J. BERWIN	
07-May-09	

ENCLOSURE		
MECHANICAL ENGINEERING DEPARTMENT KATE GLEASON COLLEGE OF ENGINEERING ROCHESTER INSTITUTE OF TECHNOLOGY		
0.75:1	ENCLOSURE	G
ALUMINUM	SHEET 2 OF 2	A

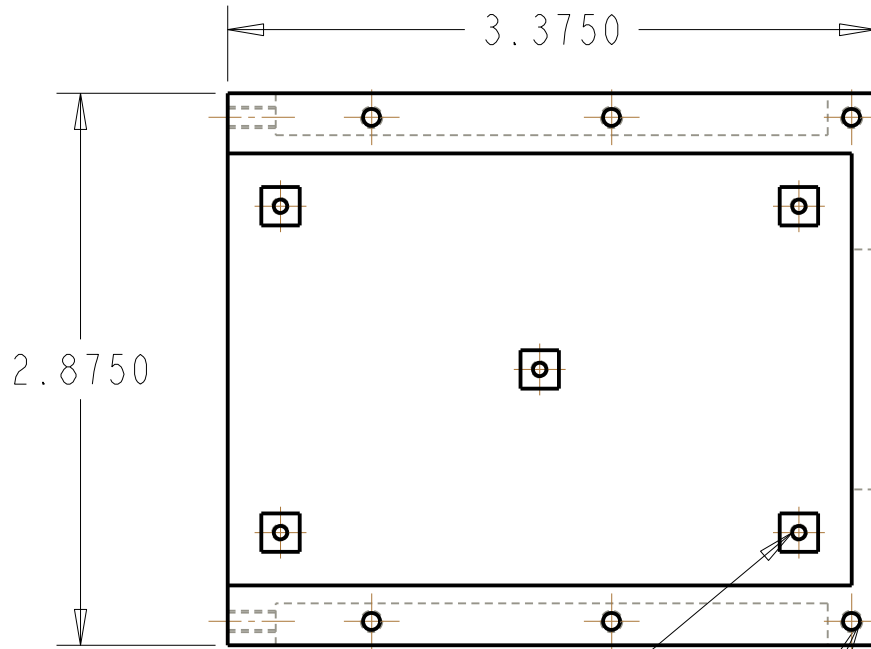


<p style="text-align: center;">TOLERANCES</p> <p>x . x ± 0.1</p> <p>x . x x ± 0.01</p> <p>x . x x x ± 0.001</p> <p>x . x x x x ± 0.0001</p>	BOTTOM		
	<p>MECHANICAL ENGINEERING DEPARTMENT</p> <p>KATE GLEASON COLLEGE OF ENGINEERING</p> <p>ROCHESTER INSTITUTE OF TECHNOLOGY</p>		
ANTHONY J. BERWIN	2.00:1	BOTTOM	G
07-May-09	ALUMINUM	SHEET 1 OF 4	A



TOLERANCES		BOTTOM		
x.x	+/-0.1	MECHANICAL ENGINEERING DEPARTMENT KATE GLEASON COLLEGE OF ENGINEERING ROCHESTER INSTITUTE OF TECHNOLOGY		
x.xx	+/-0.01			
x.xxx	+/-0.001			
x.xxxx	+/-0.0001			
ANTHONY J. BERWIN		2.00:1	BOTTOM	G
07-May-09		ALUMINUM	SHEET 2 OF 4	A

SCALE 1.000

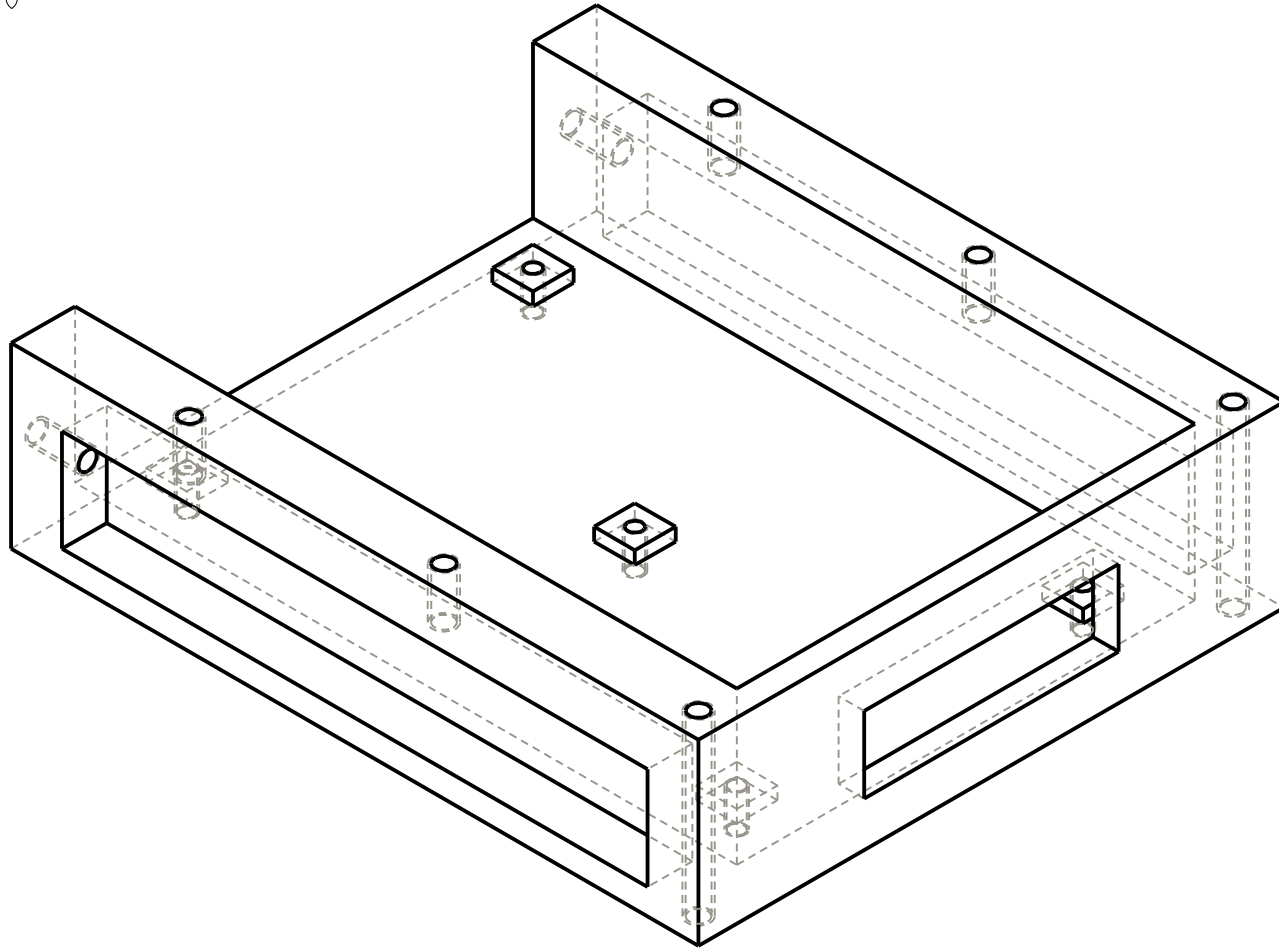


2-56 UNC - 2B TAP THRU
#50 DRILL (0.070) THRU - (1) HOLE

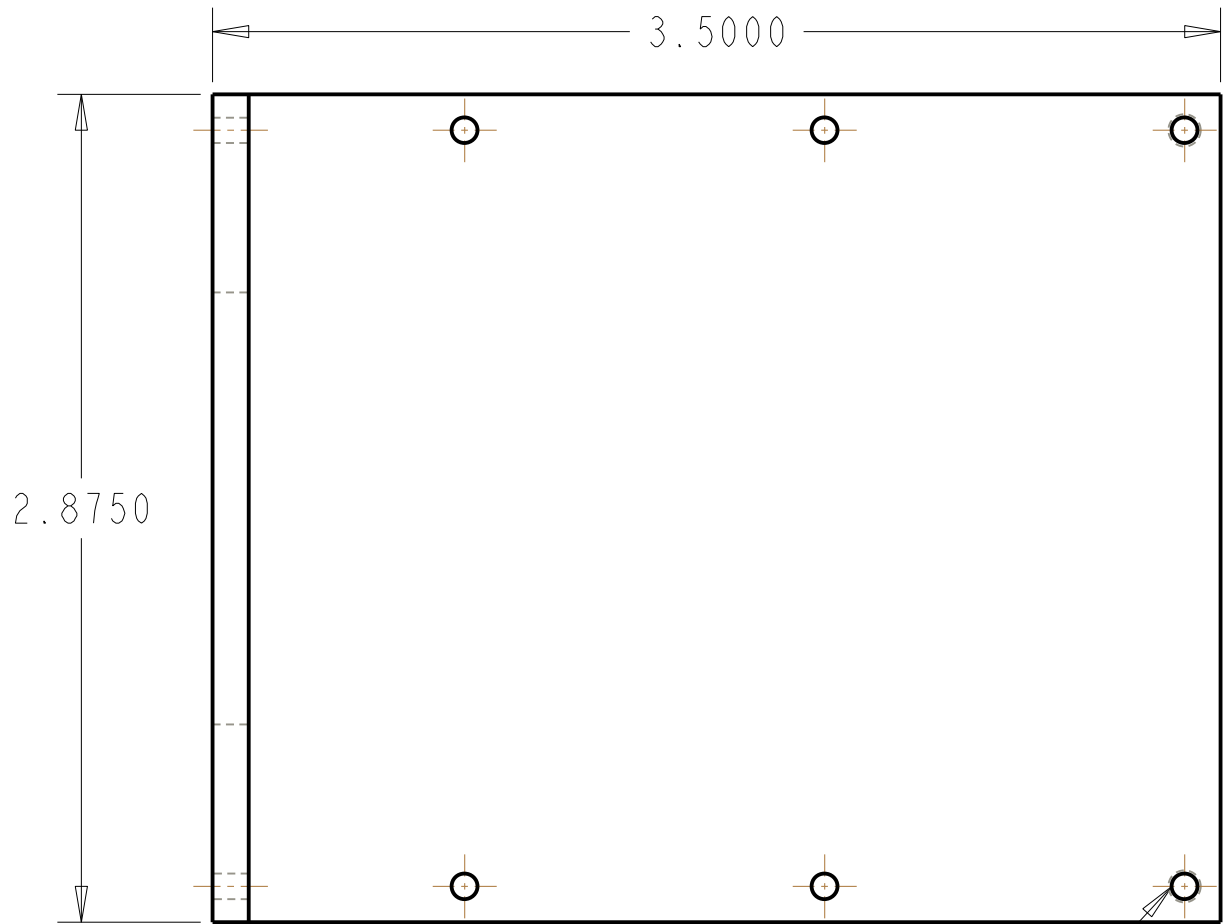
4-40 UNC - 2B TAP THRU
#43 DRILL (0.089) THRU - (1) HOLE

<p>TOLERANCES</p> <p>x . x ± 0.1</p> <p>x . xx ± 0.01</p> <p>x . xxx ± 0.001</p> <p>x . xxxx ± 0.0001</p>	BOTTOM		
	<p>MECHANICAL ENGINEERING DEPARTMENT</p> <p>KATE GLEASON COLLEGE OF ENGINEERING</p> <p>ROCHESTER INSTITUTE OF TECHNOLOGY</p>		
ANTHONY J. BERWIN	2.00:1	BOTTOM	G
07-May-09	ALUMINUM	SHEET 3 OF 4	A

SCALE 1.500

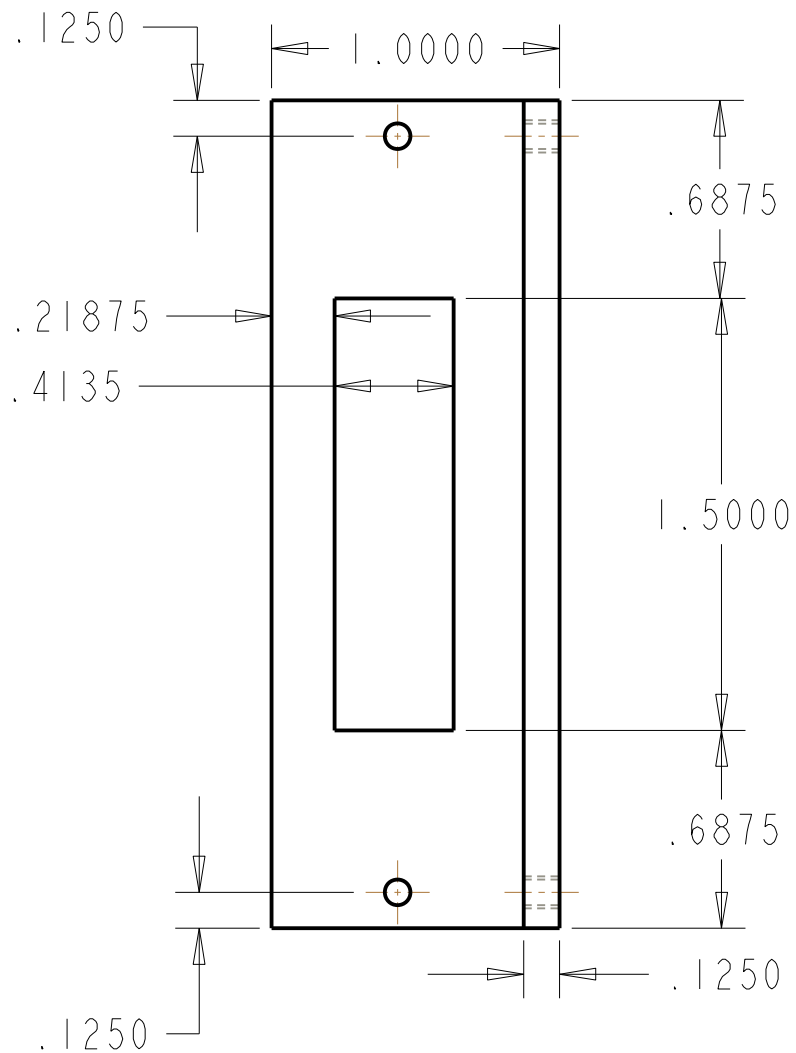


<p>TOLERANCES</p> <p>x.x ± 0.1</p> <p>x.xx ± 0.01</p> <p>x.xxx ± 0.001</p> <p>x.xxxx ± 0.0001</p>	BOTTOM		
	<p>MECHANICAL ENGINEERING DEPARTMENT</p> <p>KATE GLEASON COLLEGE OF ENGINEERING</p> <p>ROCHESTER INSTITUTE OF TECHNOLOGY</p>		
ANTHONY J. BERWIN	2.00:1	BOTTOM	G
07-May-09	ALUMINUM	SHEET 4 OF 4	A

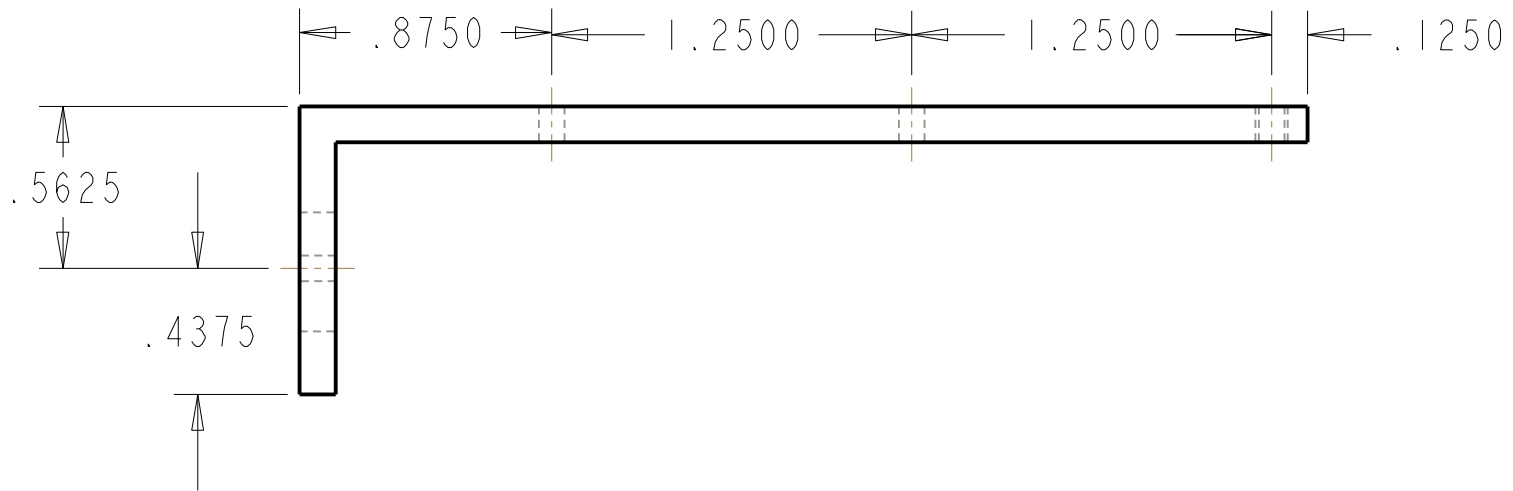


4-40 UNC - 2B TAP THRU
 #43 DRILL (0.089) THRU - (1) HOLE

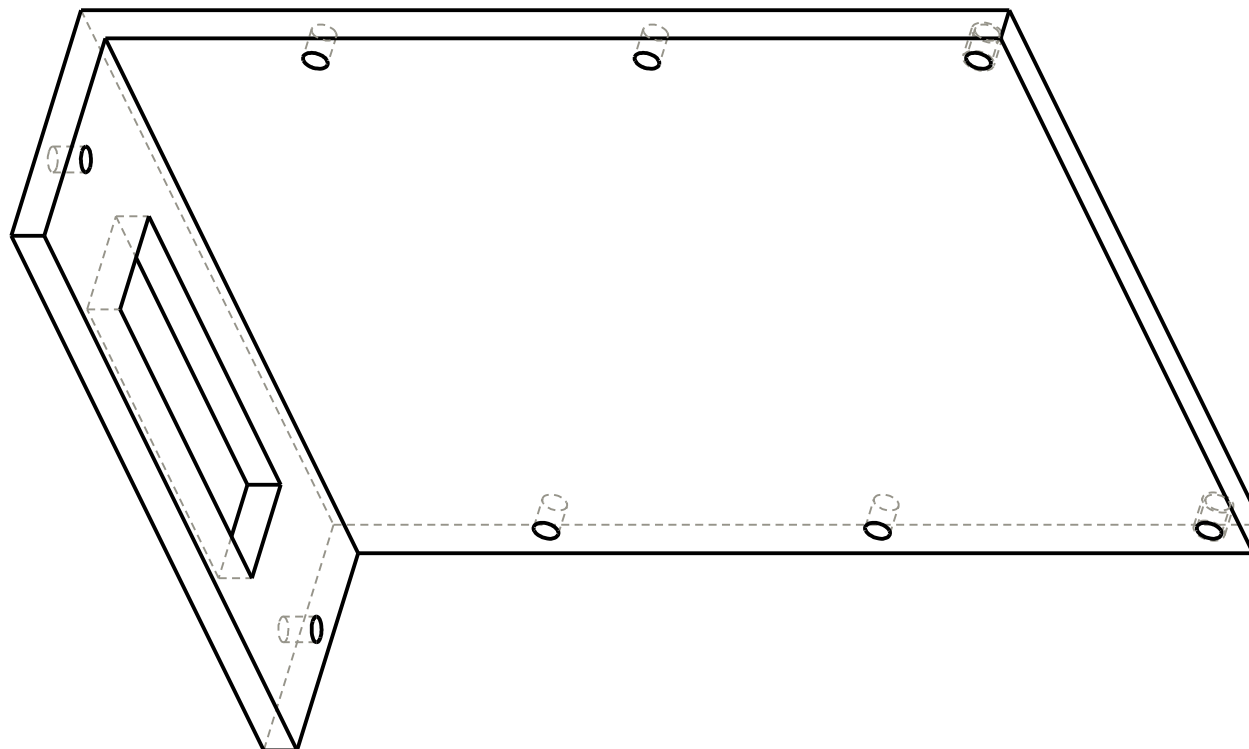
TOLERANCES x . x ± 0.1 x . x x ± 0.01 x . x x x ± 0.001 x . x x x x ± 0.0001	TOP		
	MECHANICAL ENGINEERING DEPARTMENT KATE GLEASON COLLEGE OF ENGINEERING ROCHESTER INSTITUTE OF TECHNOLOGY		
ANTHONY J. BERWIN	1.50:1	TOP	G
07-May-09	ALUMINUM	SHEET 1 OF 4	A



TOLERANCES		TOP		
x . x	+/- 0.1	MECHANICAL ENGINEERING DEPARTMENT KATE GLEASON COLLEGE OF ENGINEERING ROCHESTER INSTITUTE OF TECHNOLOGY		
x . xx	+/- 0.01			
x . xxx	+/- 0.001			
x . xxxx	+/- 0.0001			
ANTHONY J. BERWIN		1.50:1	TOP	G
07-May-09		ALUMINUM	SHEET 2 OF 4	A



TOLERANCES x . x ± 0 . 1 x . x x ± 0 . 01 x . x x x ± 0 . 001 x . x x x x ± 0 . 0001	TOP		
	MECHANICAL ENGINEERING DEPARTMENT KATE GLEASON COLLEGE OF ENGINEERING ROCHESTER INSTITUTE OF TECHNOLOGY		
ANTHONY J. BERWIN	1.50:1	TOP	G
07-May-09	ALUMINUM	SHEET 3 OF 4	A



<p>TOLERANCES</p> <p>x . x ± 0.1</p> <p>x . xx ± 0.01</p> <p>x . xxx ± 0.001</p> <p>x . xxxx ± 0.0001</p>	TOP		
	<p>MECHANICAL ENGINEERING DEPARTMENT</p> <p>KATE GLEASON COLLEGE OF ENGINEERING</p> <p>ROCHESTER INSTITUTE OF TECHNOLOGY</p>		
ANTHONY J. BERWIN	1.50:1	TOP	G
07-May-09	ALUMINUM	SHEET 4 OF 4	A