

# Aluminum

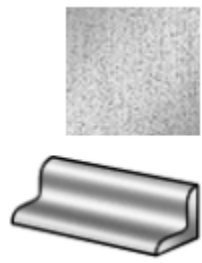


Part Number: **8975K313**

\$21.56 Each

Material	Multipurpose Aluminum (Alloy 6061)
Shape	Sheets, Bars, Strips, and Cubes
Sheets, Bars, Strips, and Cubes Type	Plain
Finish/Coating	Unpolished (Mill)
Edge Type	Square
Tolerance	Standard
Thickness	1"
Thickness Tolerance	±.012"
Length	12"
Length Tolerance	±1"
Width	3"
Width Tolerance	±.024"
Material Certification	Without Material Certification
Temper	T6511
Hardness	60-95 Brinell
Yield Strength	35,000 psi
Flatness Tolerance	Not Rated
Temperature Range	-320° to +300° F
Specifications Met	American Society for Testing and Materials (ASTM)
ASTM Specification	ASTM B221
WARNING	Hardness and yield strength are not guaranteed and are intended only as a basis for comparison.

# Aluminum

Part Number: **8982K811**

\$45.23 Each

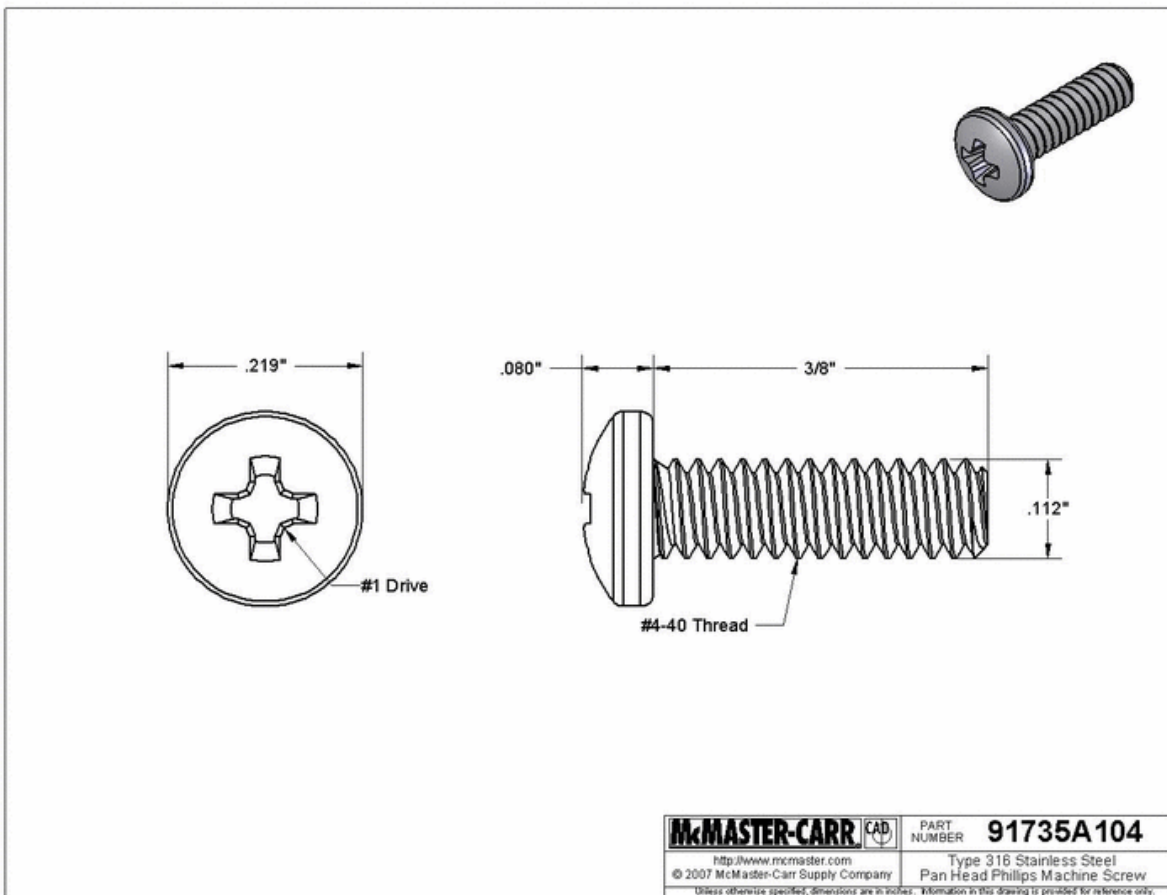
Material	Multipurpose Aluminum (Alloy 6061)
Shape	90° Angles
Finish/Coating	Unpolished (Mill)
Angle Corner Type	Rounded
Tolerance	Standard
Thickness	1/4"
Thickness Tolerance	±.008"
Length	48"
Length Tolerance	±1/4"
Leg Length	3" x 6"
Leg Length Tolerance	±.024" x ±.044"
Straightness Tolerance	Not Rated
Material Certification	Without Material Certification
Temper	T6
Hardness	95 Brinell
Yield Strength	35,000 psi
Temperature Range	-320° to +300° F
Specifications Met	American Society for Testing and Materials (ASTM)
ASTM Specification	ASTM B221
WARNING	Hardness and yield strength are not guaranteed and are intended only as a basis for comparison.

## Machine Screws

Part Number: **91735A104**

\$5.53 per Pack of 50

Head Style	Pan
Pan Head Style	Pan
Material Type	Stainless Steel
Finish	Plain
Stainless Steel Type	316 Stainless Steel
Self Locking Element	None
Drive Style	Phillips
System of Measurement	Inch
Inch Thread Size	4-40
Thread Length	Fully Threaded
Length	3/8"
Decimal Size	.112"
Head Diameter	.219"
Head Height	.080"
Drive	#1
Rockwell Hardness	Minimum B80
Minimum Tensile Strength	Not Rated
Thread Fit	Class 2A
Specifications Met	Not Rated
Screw Quantity	Individual Screw



## Machine Screws

Part Number: **91735A010**

\$10.96 per Pack of 100

Head Style	Pan
Pan Head Style	Pan
Material Type	Stainless Steel
Finish	Plain
Stainless Steel Type	316 Stainless Steel
Self Locking Element	None
Drive Style	Phillips
System of Measurement	Inch
Inch Thread Size	2-56
Thread Length	Fully Threaded
Length	1/4"
Decimal Size	.086"
Head Diameter	.167"
Head Height	.062"
Drive	#1
Rockwell Hardness	Minimum B80
Minimum Tensile Strength	Not Rated
Thread Fit	Class 2A
Specifications Met	Not Rated
Screw Quantity	Individual Screw

