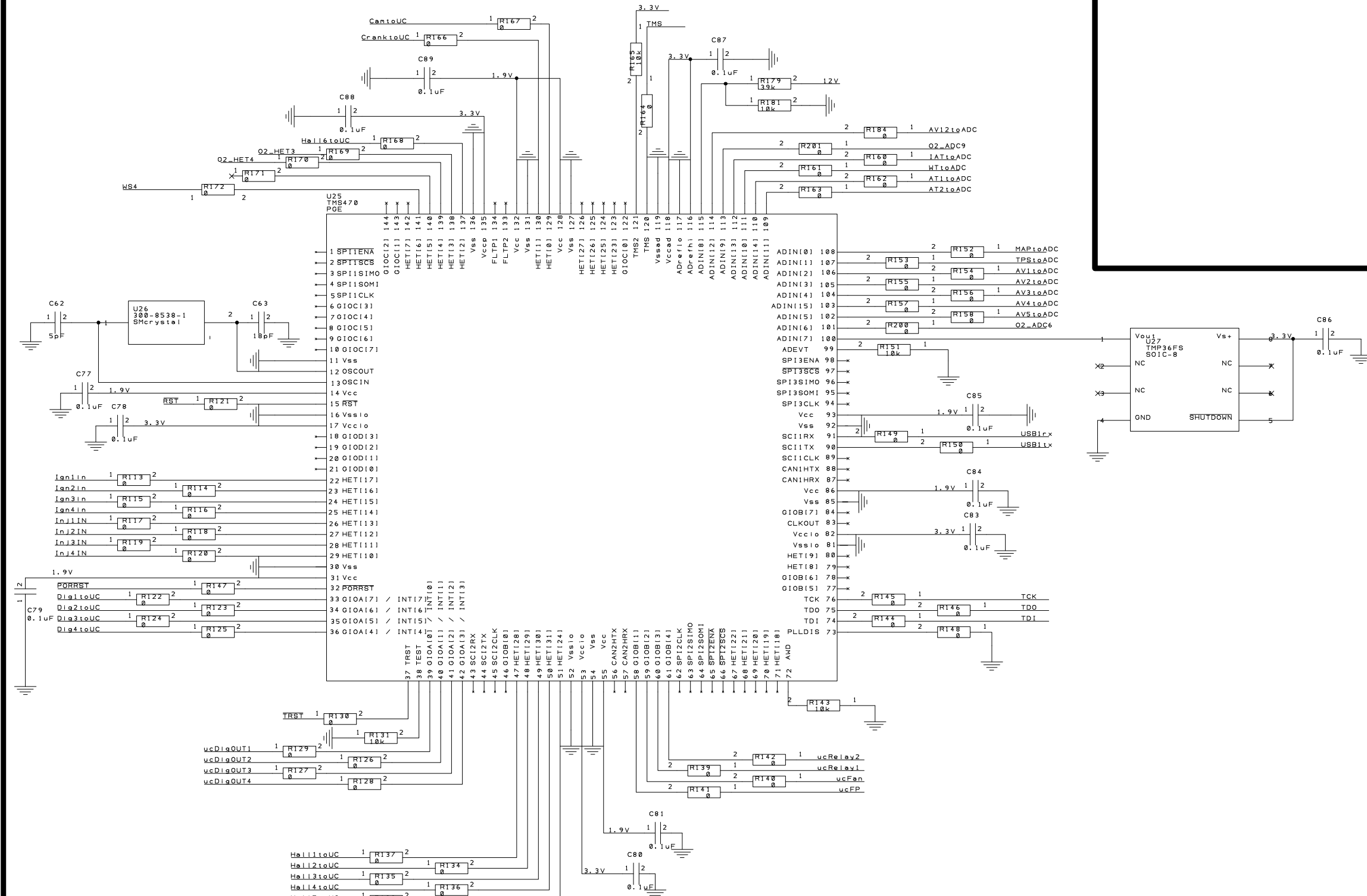
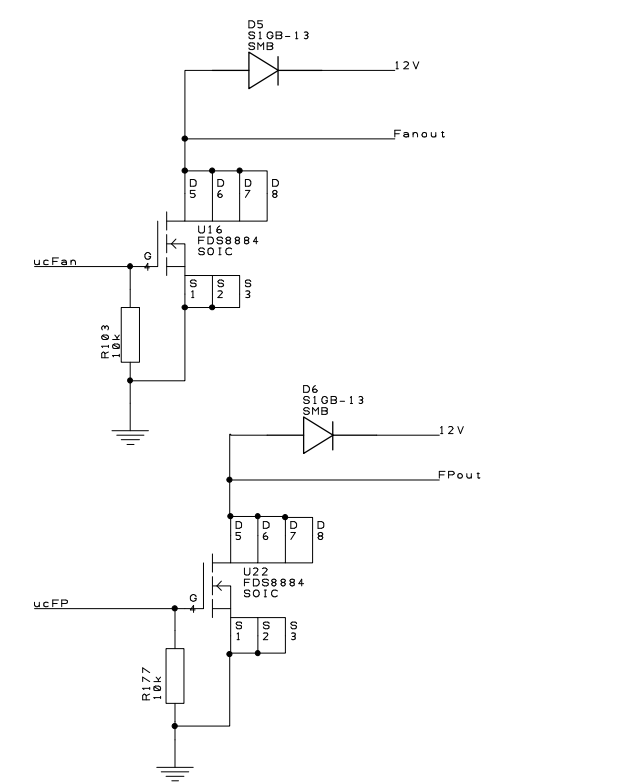


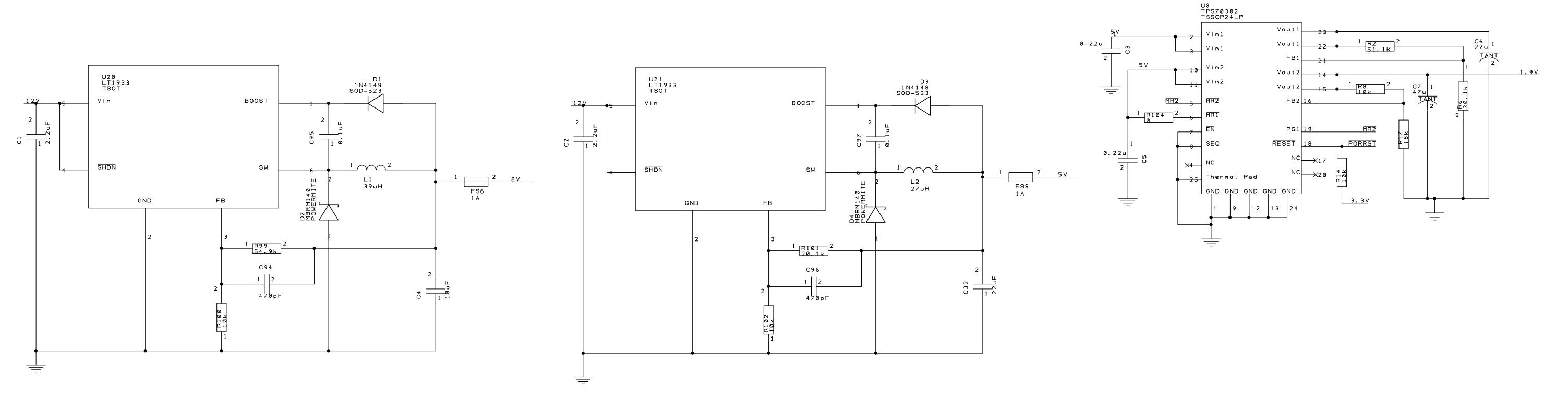
Processing



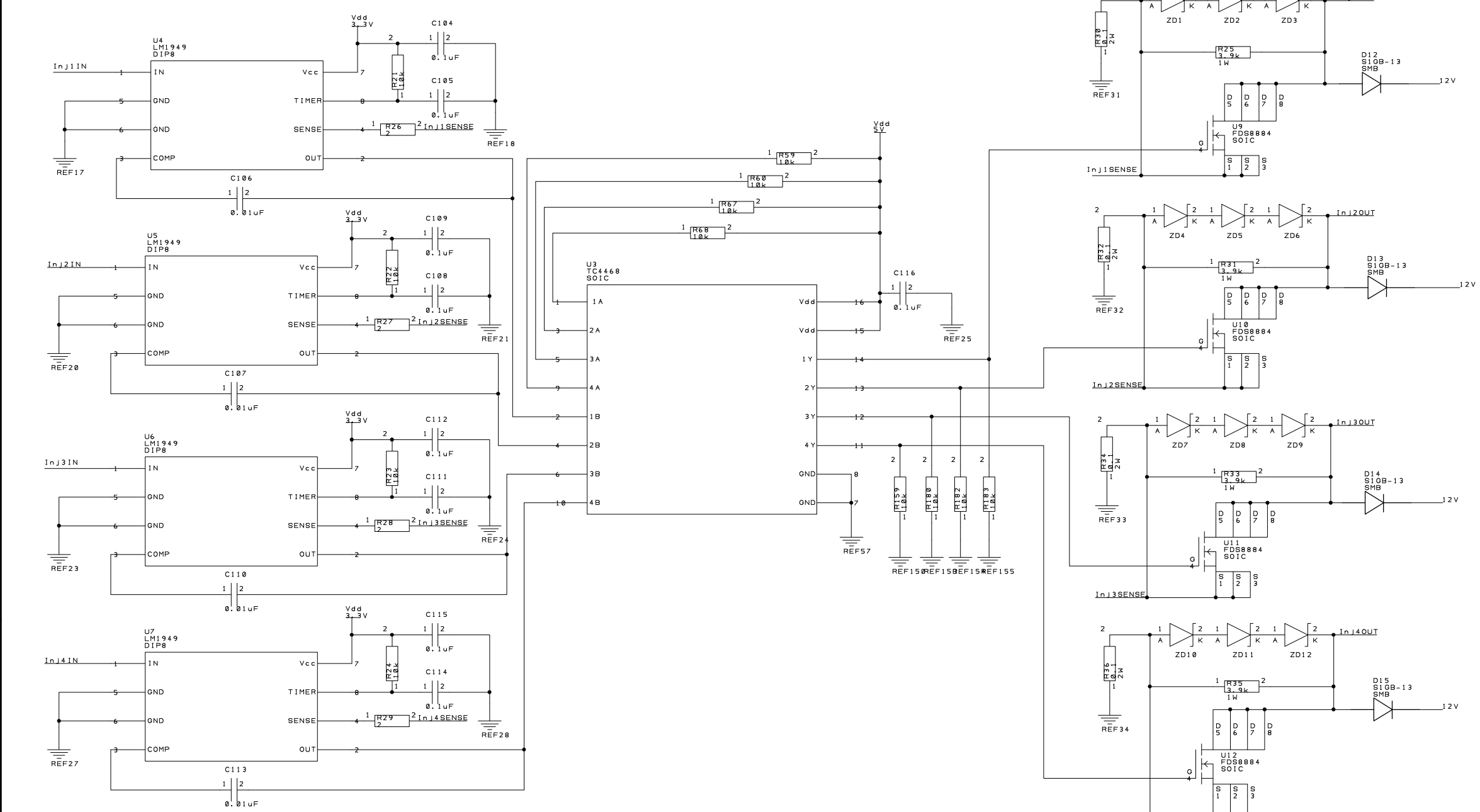
Fan/Fuel Pump



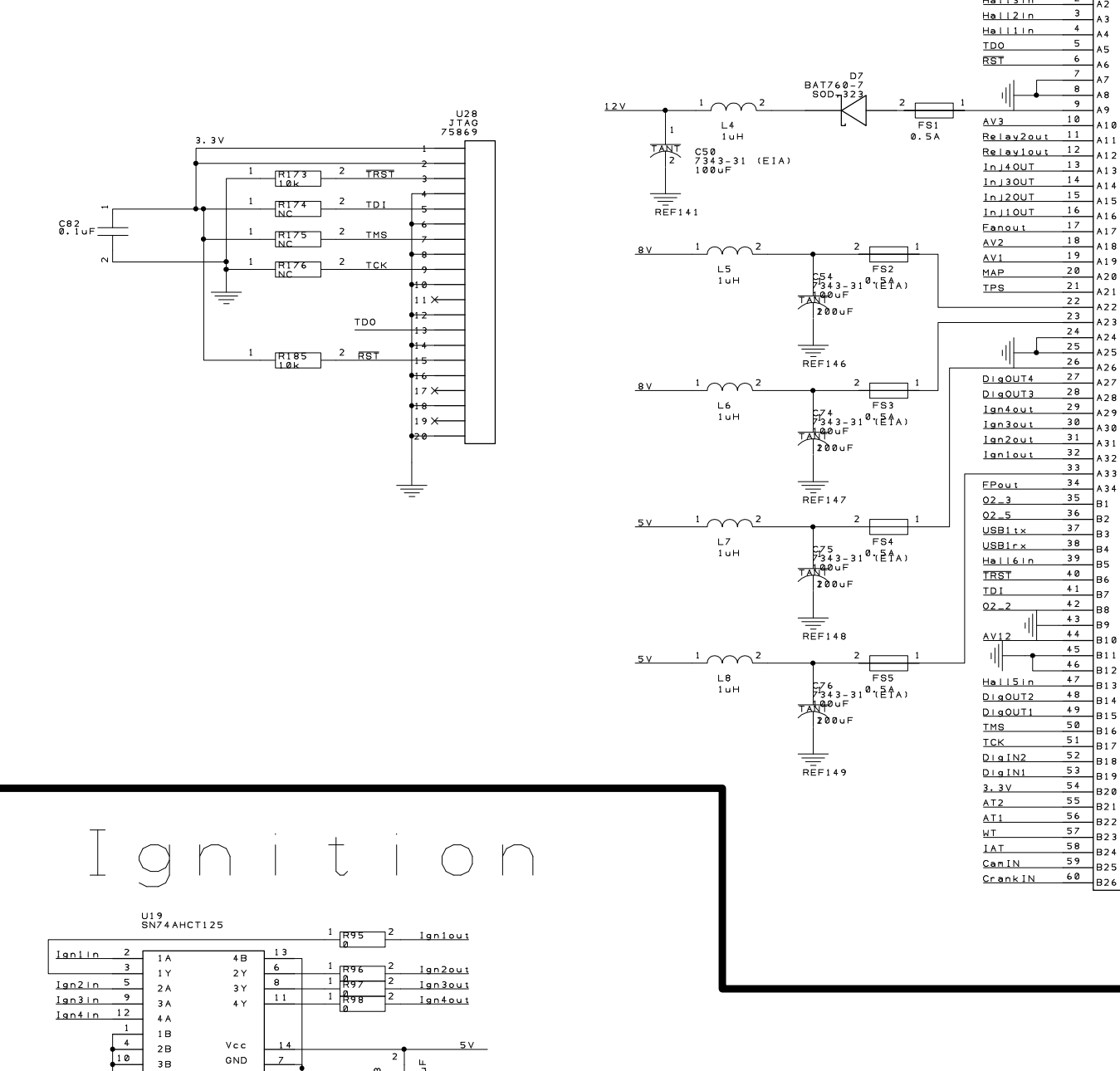
Voltage Regulation



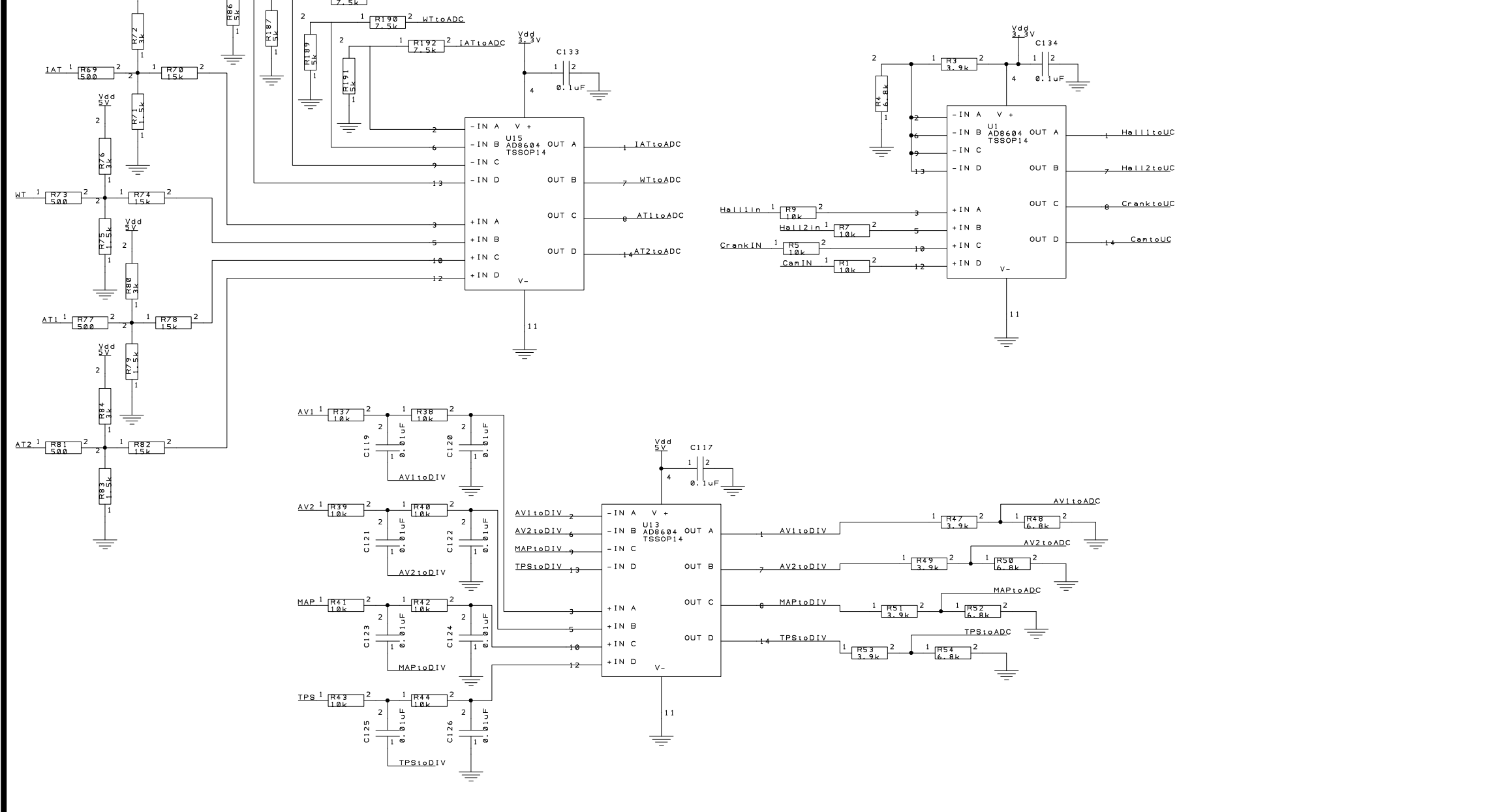
Fuel Injectors



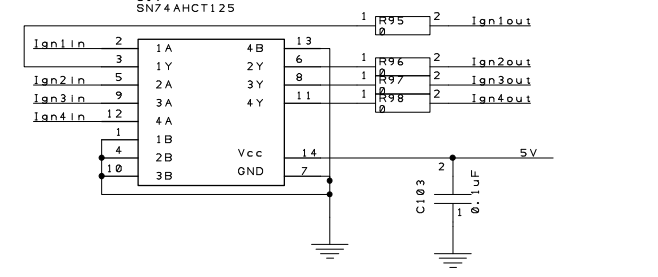
JTAG / MOTEC



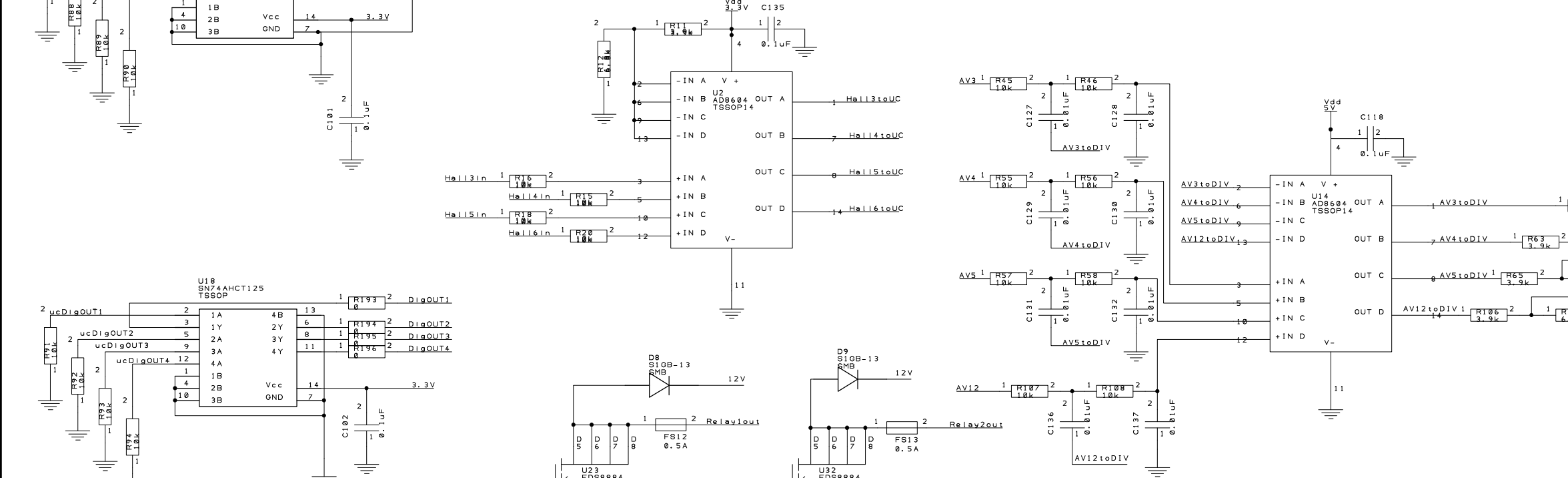
Sensors



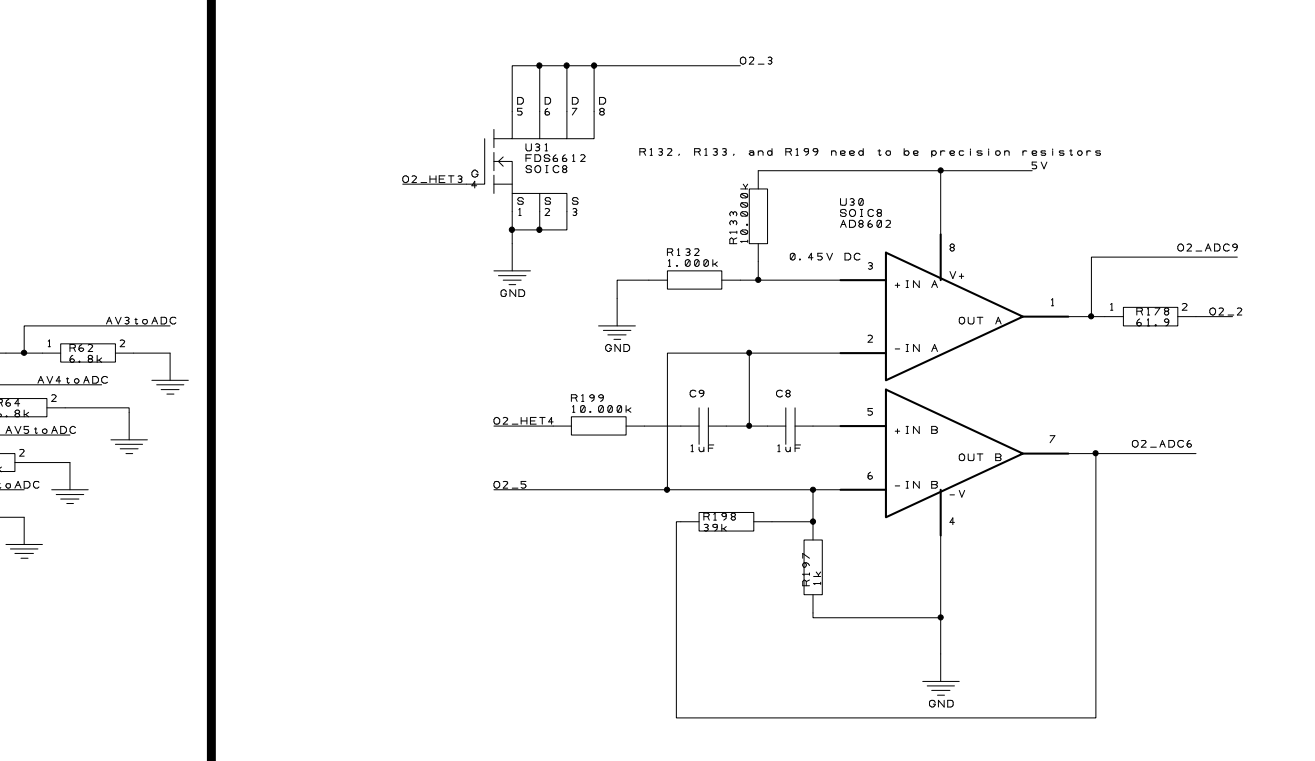
Ignition



Extra I/O



O2 Sensor



E	D	C	B	A	Drawn	Check	Projection
Drn	Drn	Drn	Drn	Drn	RGJ		Do Not Scale
Chk	Chk	Chk	Chk	Chk	Senior Design		Client
					P09222 ECU		Formula SAE
							Filename
							ECU Rev16. sch
							Drawing No.
							16
							Sheet
							1 of 1