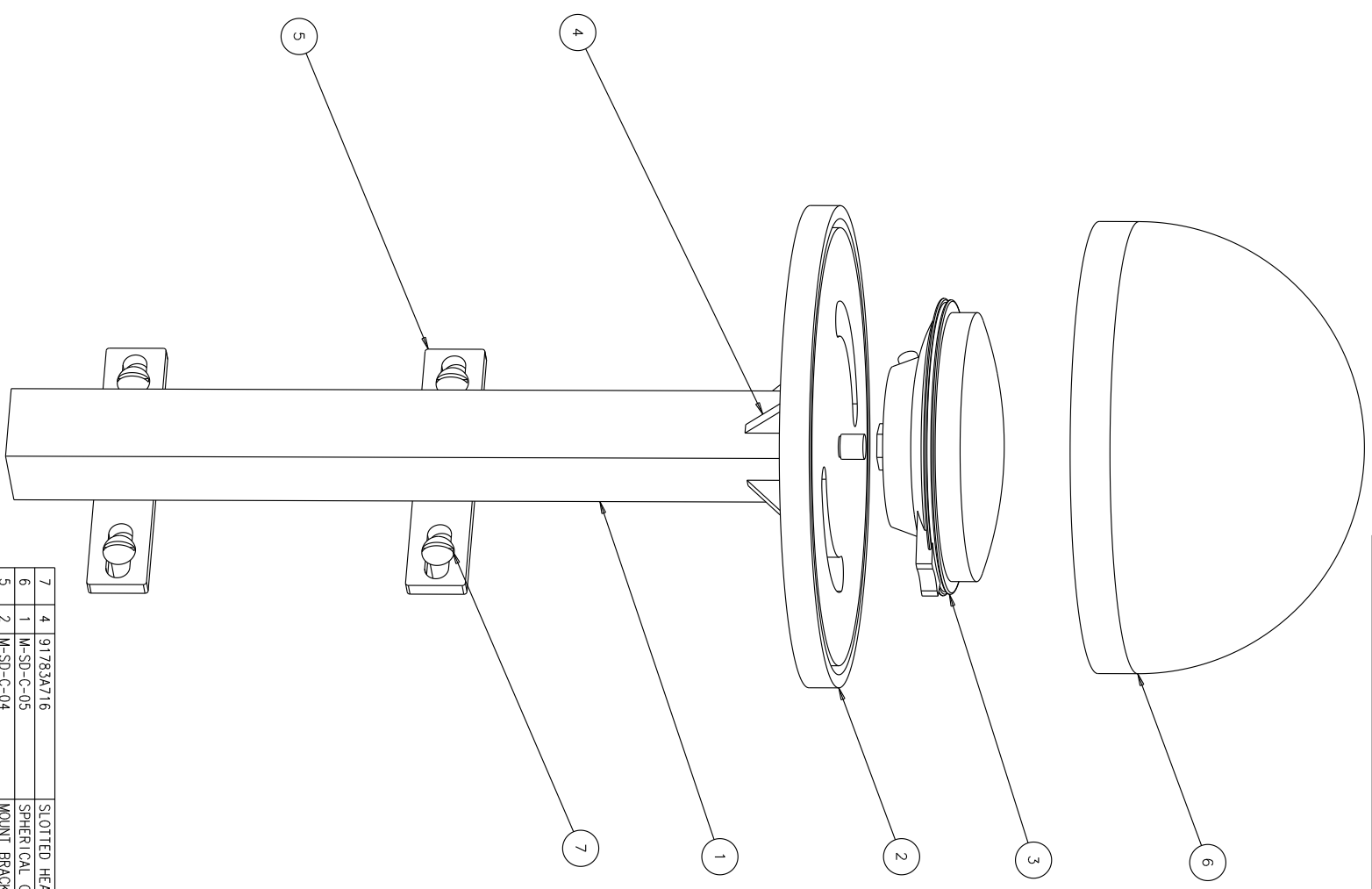
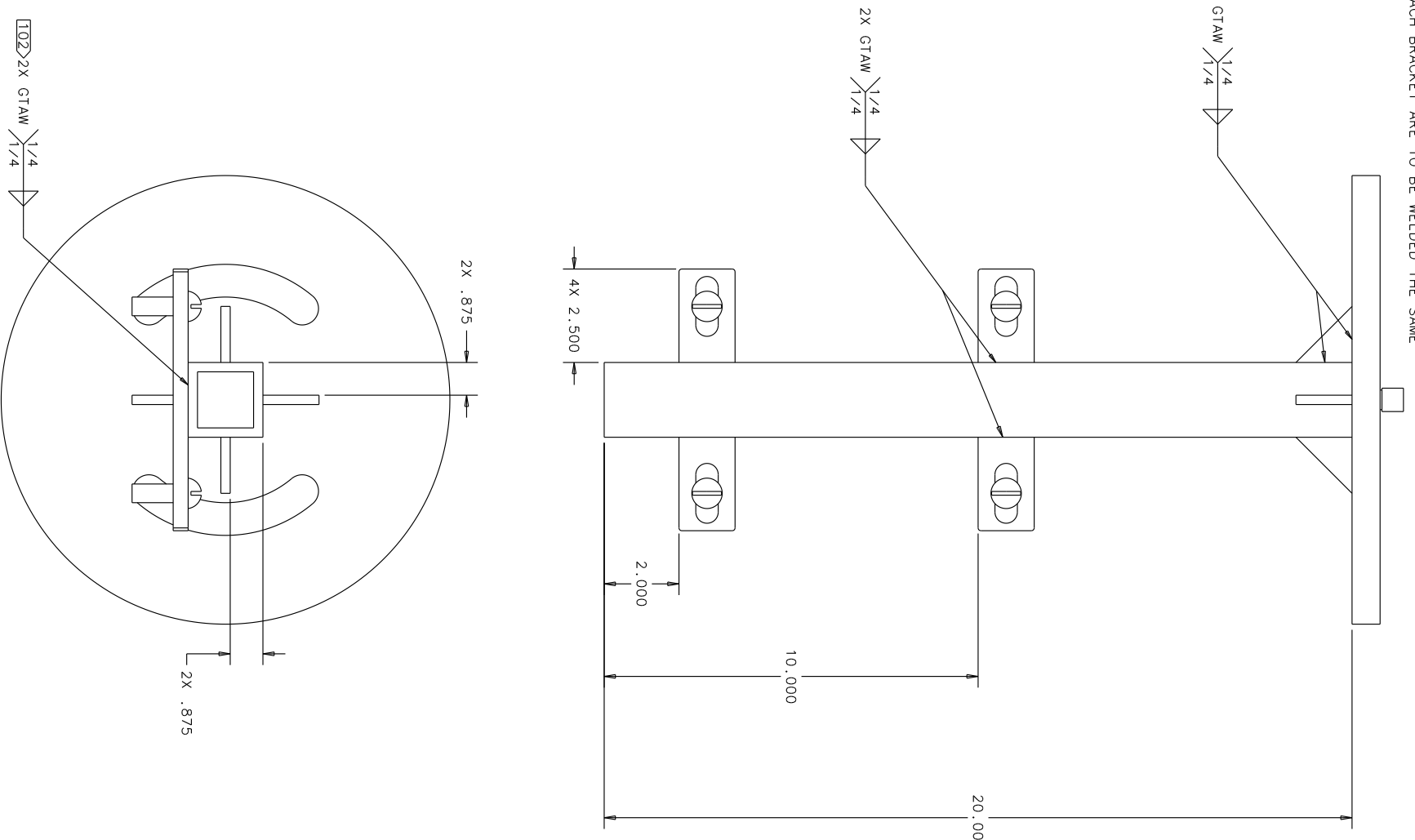


NOTES:

- [T01] BOTH SIDES OF GUSSET ARE TO BE WELDED THE SAME
- [T02] BOTH SIDES OF EACH BRACKET ARE TO BE WELDED THE SAME



REV	ZONE	DCQ#	REVISIONS	DESCRIPTION	DATE

ITEM/NO.	PART NO.	DESCRIPTION	QUANTITY
1	M-SD-C-02	PLATFORM SUPPORT	1
2	M-SD-C-01	PLATFORM	1
3	GPS-70203	ANTENNA	1
4	M-SD-C-03	GUSSET	4
5	M-SD-C-04	MOUNT BRACKET	2
6	M-SD-C-05	SPHERICAL COVER	1
7	91783A716	SLOTTED HEAD SCREW 1/2-13 X 1 1/2 LG	4

UNITS	TOLERANCE	FINISH	DR. G. DOSER	UNIVERSITY OF ROCHESTER
INCHES	2Pl ± .01 3Pl ± .005	N/A	CM	LAB FOR LASER ENERGETICS
	ANGULAR ± 1.0°		OPT	ROCHESTER, NEW YORK 14623
	SURF ROUGHNESS Rz/			
	EDGES .015 X 45°			
	INSIDE COR RAD .015			

UNITS	TOLERANCE	FINISH	DR. G. DOSER	UNIVERSITY OF ROCHESTER
INCHES	2Pl ± .01 3Pl ± .005	N/A	CM	LAB FOR LASER ENERGETICS
	ANGULAR ± 1.0°		OPT	ROCHESTER, NEW YORK 14623
	SURF ROUGHNESS Rz/			
	EDGES .015 X 45°			
	INSIDE COR RAD .015			

Preliminary

UNITS	TOLERANCE	FINISH	DR. G. DOSER	UNIVERSITY OF ROCHESTER
INCHES	2Pl ± .01 3Pl ± .005	N/A	CM	LAB FOR LASER ENERGETICS
	ANGULAR ± 1.0°		OPT	ROCHESTER, NEW YORK 14623
	SURF ROUGHNESS Rz/			
	EDGES .015 X 45°			
	INSIDE COR RAD .015			

UNITS	TOLERANCE	FINISH	DR. G. DOSER	UNIVERSITY OF ROCHESTER
INCHES	2Pl ± .01 3Pl ± .005	N/A	CM	LAB FOR LASER ENERGETICS
	ANGULAR ± 1.0°		OPT	ROCHESTER, NEW YORK 14623
	SURF ROUGHNESS Rz/			
	EDGES .015 X 45°			
	INSIDE COR RAD .015			

UNIVERSITY OF ROCHESTER
LAB FOR LASER ENERGETICS
ROCHESTER, NEW YORK 14623

SPACE WEATHER OBSERVATION
MOUNT 1
SHEET 1 OF 1

DWG. NO. M-SD-A-01

REV A

VER D