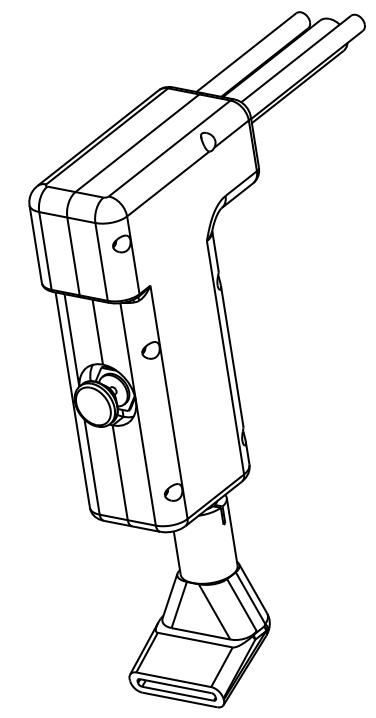
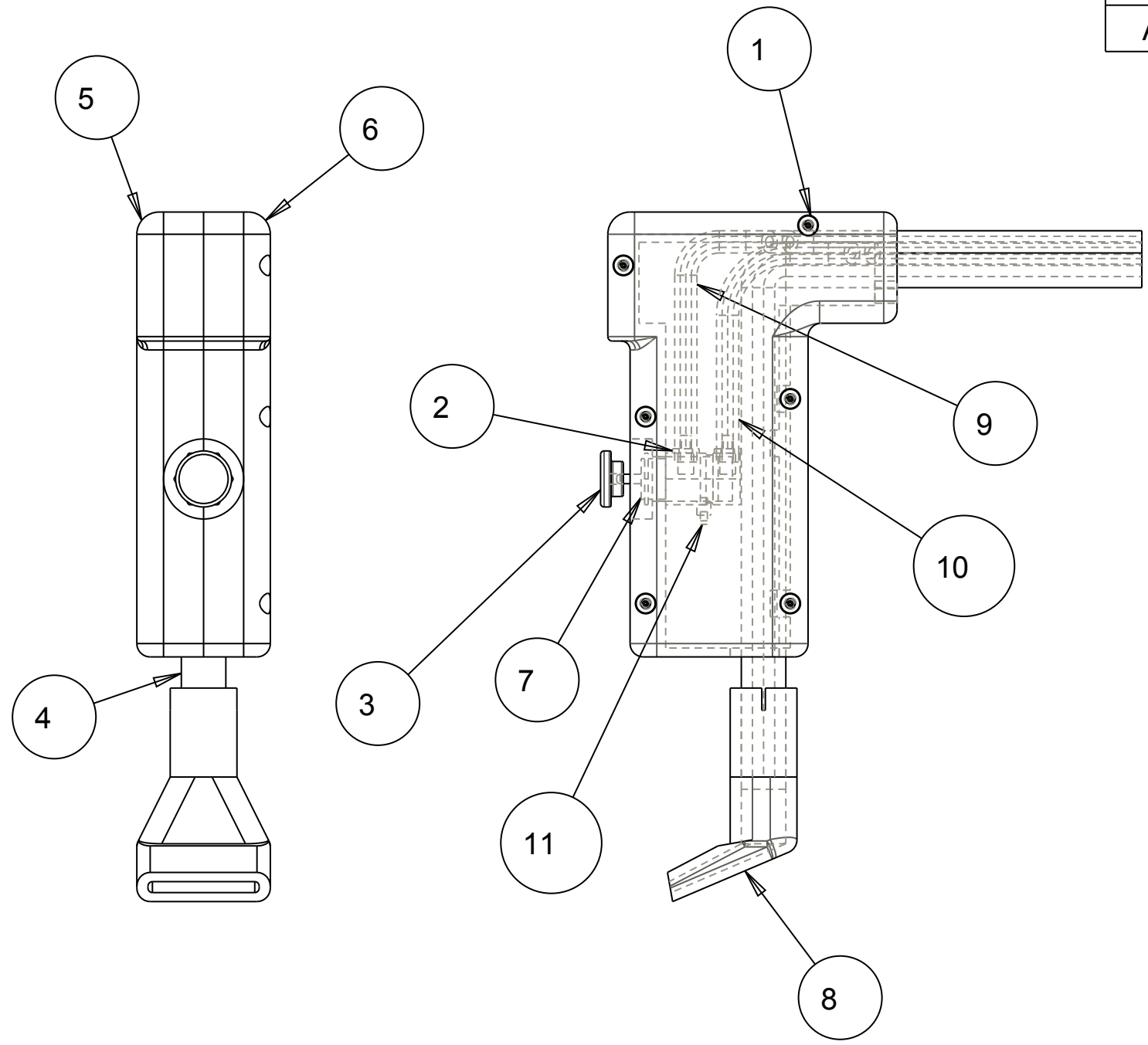


-REVISIONS-			
LTR.	DESCRIPTION:	DATE:	INT.
A	INITIAL RELEASE	2/10/10	KWR



11	ZIP_TIE		1
10	URH1-0804-GNT-050_AIR_HOSE_3		1
9	URH1-0804-GNT-050_AIR_HOSE4		1
8	NOZZLE_REV_6		1
7	MAV-3R__3_WAY_AIR_VALVE		1
6	HANDLE_RIGHT_HALF2		1
5	HANDLE_LEFT_HALF2		1
4	5288K15_RUBBER_HOSE		1
3	11916-1-BLK_PUSH_BUTTON		1
2	11792-4-PKG_AIR_HOSE_FITTING		2
1	4-40X3QUARTERS_SCREW		6
ITEM	PART NO.	DESCRIPTION	REQ.

UNLESS OTHERWISE SPECIFIED:			ALL DIMENSIONS ARE IN: IN	FINISH:	MATERIAL:	Wegmans		
OVER	TO	TOLERANCE				Wegmans	TITLE:HANDLE ASSEMBLY	
		±	DRAWN BY: KWR	DATE: 2/10/10	SHEET 1 OF 1		DRAWING NUMBER:	SIZE
		±	CHECKED: KWR	DATE: 2/10/10		THIRD ANGLE PROJECTION		
		±	ENGINEER:	DATE:	SCALE:		DATE: 2/10/10	REV:A
ANGLES			RELEASED:	DATE:		B		