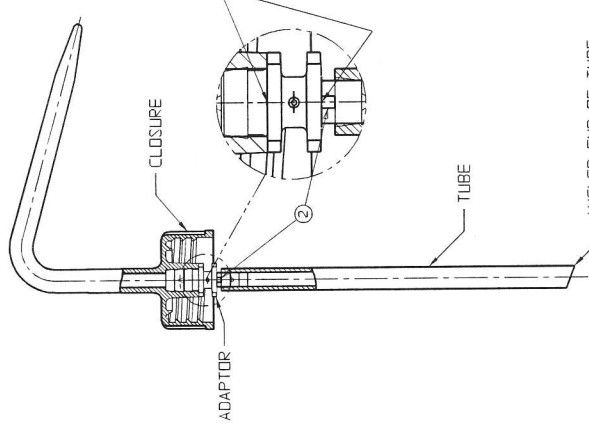


DATE	REV.	DESCRIPTION	BY	CHKD.	APPVED.
12/14/95	1	NEW DRAWING ISSUE; EGN 95-757	ME	HP	PVC
1/18/96	1	DWG NO. WAS C-1-1208-2X; DN 1-1208-60 & 50. COLOR WAS NATURAL; ADDED 1-1208-53 THRU 1-1208-59; EGN 96-031	MCC	HP	PVC
6/7/96	2	UPDATED DKG FORMAT; ADDED CAT. NO. COLUMN; UPDATED D.A. NOTES; EGN 96-368	MCC	HP	PVC
7/8/98	3	DELETED ASSEMBLY NO. 1-1208-97; EGN 98-347	ME	HP	PVC
3/99	4	ADDED THE INFORMATION LINE FOR ASSEMBLY NO. 1-1208-11; EGN 99-193	ME	HP	PVC
12/99	5	ADDED THE INFORMATION LINE FOR ASSEMBLY NO. 1-1208-60 & 64 ADAPTOR NO. IS 1-1208-81 WITH NATURAL COLOR; WAS 1-1208-25 AND 1050 ASSY NO. 1-1208-24; FOR ASSY 1-1208-50 SPLIT 2421 FROM 2427-05X1; ADDED NEW COMMENTS FOR 2421-05X1; ADDED RIBS TO ADAPTOR WHERE TUBE RESISTS FLUSH TO ADAPTOR; EGN 99-643	ME	HP	PVC
12/5/02	6	REMOVED ASSY NO. 1-1208-11; ADDED 1-1208-50/53/54/55/56/57/58/59; ADDED 1-1208-49; CORRECTED CAT. NOS. FOR 1-1208-51 & -52 FROM 1-1208-51 & 1-1208-52 TO 1-1208-51 & 1-1208-52; ADDED D.A. NOTE #3; EGN 06-0306	J	SH	PVC
8/6/06	7	ADDED THE INFORMATION LINE FOR ASSEMBLY NO. 1-1208-64; ADDED D.A. NOTE #3; EGN 06-0306	J	MEG	BR



ASSEMBLY NO.	CATALOG NO. WHERE USED	CLOSURE NO.	CLOSURE SIZE/COLOR	ADAPTOR NO.	ADAPTOR COLOR	TUBE NO.	SIZE (in.)
1-1208-24	2421-0250	1-1207-35	24-415/RED	1-1208-80	RED	1-1207-24	4.33
1-1208-26	2401-0125	1-1206-56	24-415/NATURAL	1-1208-81	NATURAL	1-1207-23	3.15
1-1208-27	2401-0250	1-1206-56	24-415/NATURAL	1-1208-81	NATURAL	1-1207-24	4.33
1-1208-29	712401-0002	1-1208-95	28-415/BLUE	1-1208-81	NATURAL	1-1207-25	5.68
1-1208-30	2422-4500	1-1208-90	28-415/GREEN	1-1208-81	NATURAL	1-1207-25	5.68
1-1208-31	712422-4500	1-1208-90	28-415/GREEN	1-1208-80	RED	1-1207-25	5.68
1-1208-32	2422-5500	1-1206-24	28-415/RED	1-1208-81	NATURAL	1-1207-25	5.68
1-1208-33	2425-0501	1-1206-24	28-415/RED	1-1208-80	RED	1-1207-25	5.68
1-1208-34	2425-0502	1-1208-85	28-415/WHITE	1-1208-80	RED	1-1207-25	5.68
1-1208-35	2422-2500	1-1208-83	28-415/YELLOW	1-1208-81	NATURAL	1-1207-25	5.68
1-1208-36	2425-0504	1-1208-83	28-415/YELLOW	1-1208-80	RED	1-1207-25	5.68
1-1208-39	2401-0500	1-1206-57	28-415/NATURAL	1-1208-81	NATURAL	1-1207-25	5.68
	2425-0505						
1-1208-41	2405-0500	1-1208-93	28-415/BLUE	1-1208-81	NATURAL	1-1207-25	5.68
1-1208-42	712405-0500	1-1208-93	28-415/BLUE	1-1208-81	NATURAL	1-1207-25	5.68
1-1208-43	2425-1003	1-1208-88	38-430/GREEN	1-1208-80	RED	1-1207-27	7.45
1-1208-44	712425-1001	1-1208-71	38-430/RED	1-1208-80	RED	1-1207-27	7.45
1-1208-44	2425-1002	1-1208-75	38-430/WHITE	1-1208-80	RED	1-1207-27	7.45
1-1208-45	712425-1004	1-1208-73	38-430/YELLOW	1-1208-80	RED	1-1207-27	7.45
1-1208-46	2401-1000	1-1206-55	38-430/NATURAL	1-1208-81	NATURAL	1-1207-27	7.45
	2425-1005						
	619400-0550						
1-1208-48	712401-0003	1-1208-92	38-430/BLUE	1-1208-81	NATURAL	1-1207-27	7.45
	2405-1000						
	712405-1000						
1-1208-49	619900-0040	1-1207-31	53-415/RED	1-1208-80	RED	1-1207-25	5.68
	619700-0542						
1-1208-51	2407-0500	1-1206-37	53-415/NATURAL	1-1208-81	NATURAL	1-1207-25	5.68
1-1208-52	712407-0001	1-1206-40	63-415/NATURAL	1-1208-81	NATURAL	1-1207-26	6.80
1-1208-60	2425-0506	1-1208-61	28-415/WHITE	1-1208-81	NATURAL	1-1207-28	5.68
1-1208-64	2425-1006	1-1208-65	38-430/WHITE	1-1208-81	NATURAL	1-1207-29	7.45

- ② D.A. NOTES
- PARTS TO BE IN ACCORDANCE WITH D.A. PHYSICAL APPEARANCE STANDARDS. SPECIFIC ITEMS TO LOOK FOR:
 -CHECK CLOSURES AND ADAPTORS FOR PROPER COLORS
 -CRUSHED OR DAMAGED COMPONENTS.
 - PREFERRED ASSEMBLY METHOD WILL RESULT IN ALL COMPONENTS ASSEMBLED FLUSH.
 - USE FIXTURE FX-083ARC (BEND ANGLE TO BE 60-90°).

Naige Nunc International
 75 Pomarone Creek Drive
 Rochester, NY 14625 USA

SCALE: NONE

DATE: 12/14/95
 DATE: 12/14/95
 DATE: 12/14/95

TITLE: CLOSURE/TUBE ASSEMBLY

DRAWN BY: H.PATRICK
 CHECKED BY: MCC
 APPROVED BY: PVC

REV. NO.: 7

CONFIDENTIAL: THIS DOCUMENT CONTAINS PROPRIETARY INFORMATION OF NAIGE NUNC INTERNATIONAL AND ITS RECEIVERS. PERMISSION DOES NOT CONSTITUTE ANY RIGHTS TO REPRODUCE, DISCLOSE OR IN ANY MANNER USE THE INFORMATION CONTAINED HEREIN FOR ANY PURPOSES OTHER THAN THAT SPECIFICALLY WRITTEN INTO AN AGREEMENT WITH NAIGE NUNC INTERNATIONAL. STRICTLY CONFIDENTIAL.