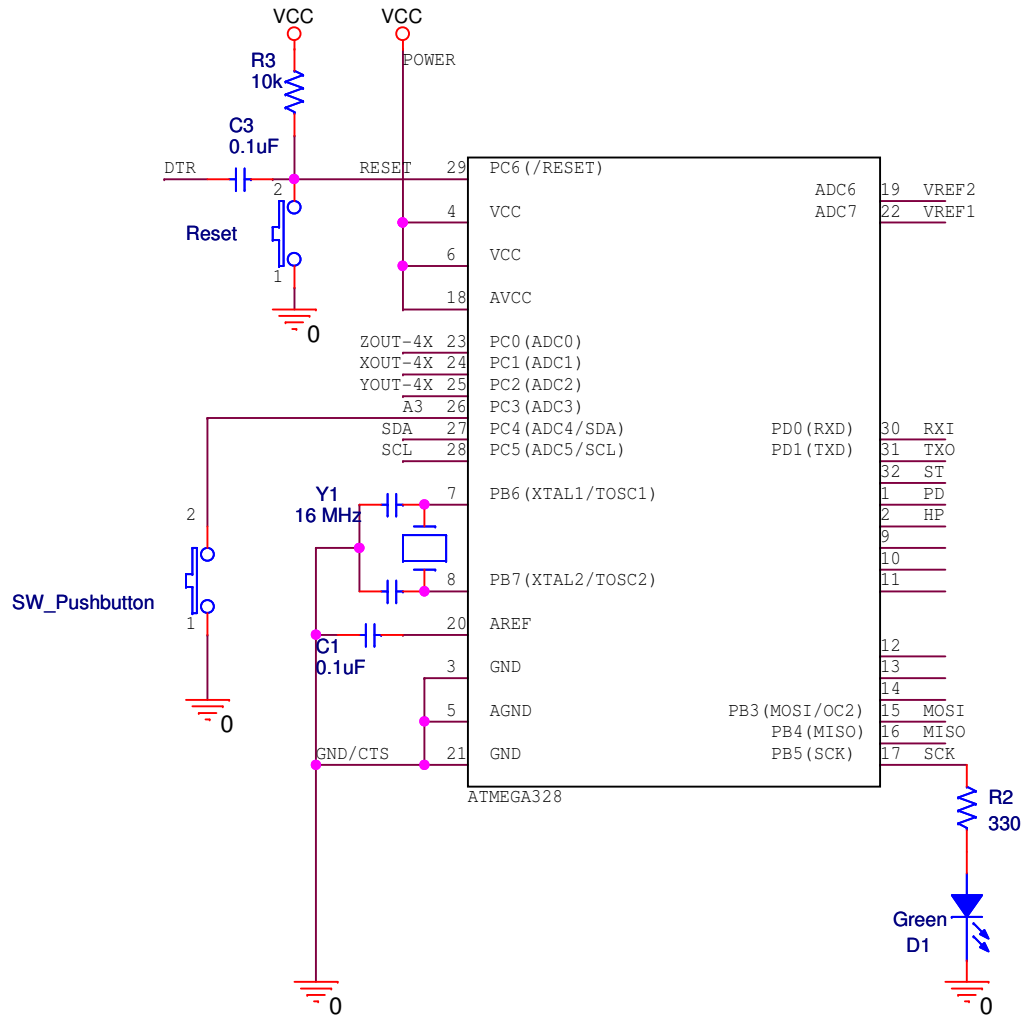


VCC = +3.3 V



Michael Ostertag (Rochester Institute of Technology P11011)		
Title		
Head Motion Sensor		
Size	Document Number	Rev
A		
Date:	Thursday, November 04, 2010	Sheet 2 of 2