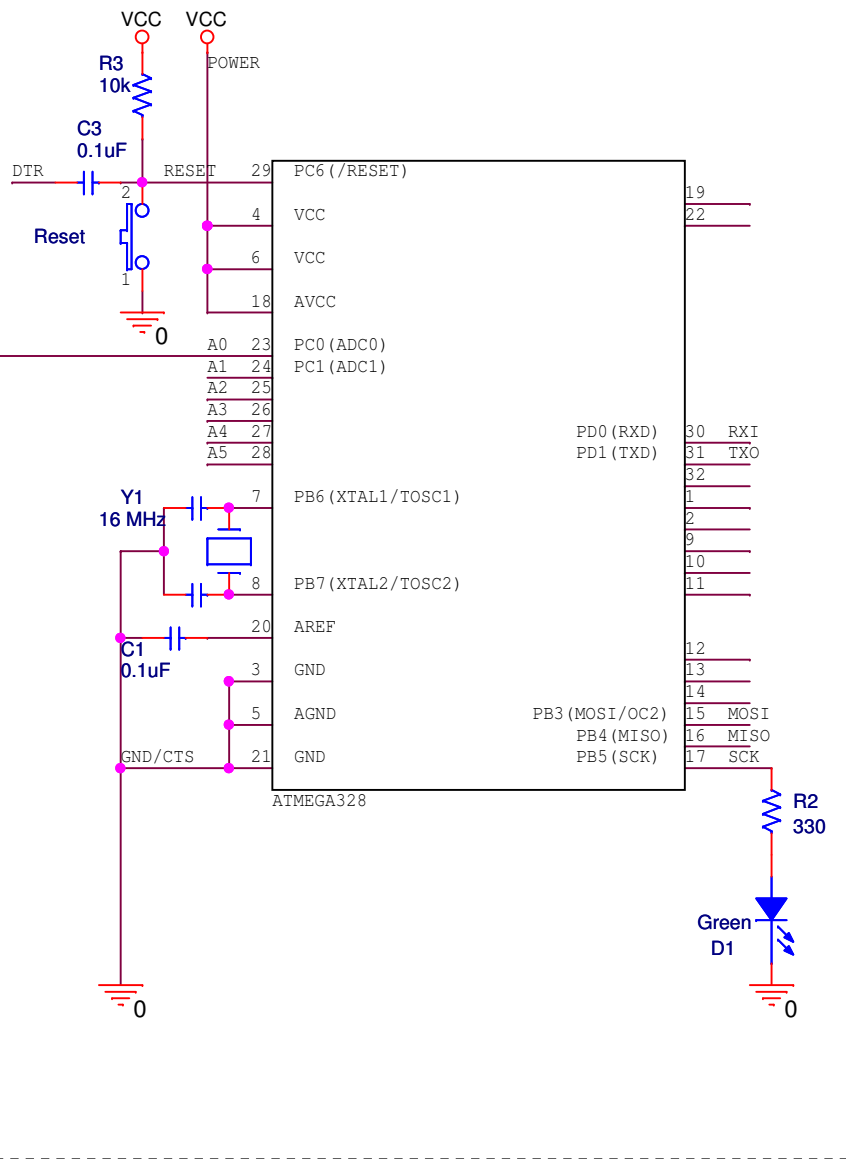
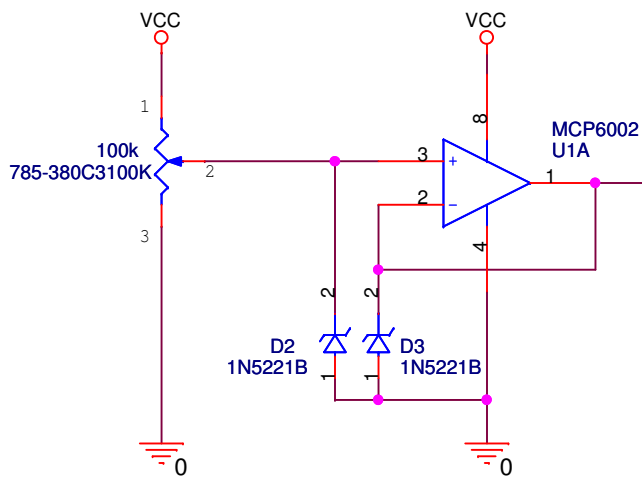


# Arduino Pro Mini 5V

VCC = +5 V



Michael Ostertag (Rochester Institute of Technology P11011)		
Title Knee Flexion Sensor		
Size A	Document Number	Rev
Date:	Thursday, November 04, 2010	Sheet 1 of 1