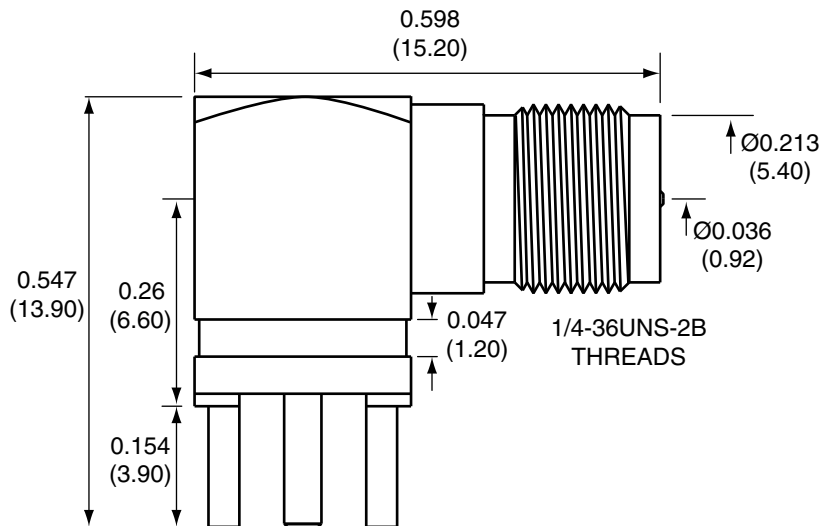
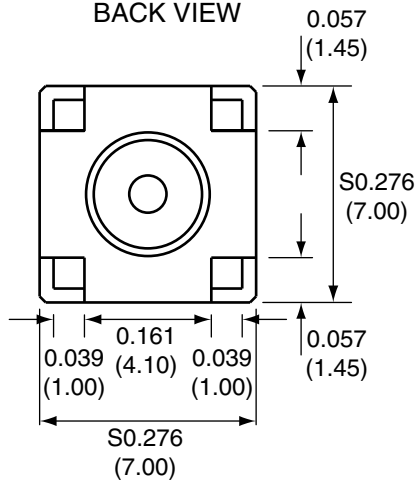


1		
Description	Material	Finish
Body	Brass	Nickel
Pin	BE CU	Gold
Insulation	Teflon	Teflon

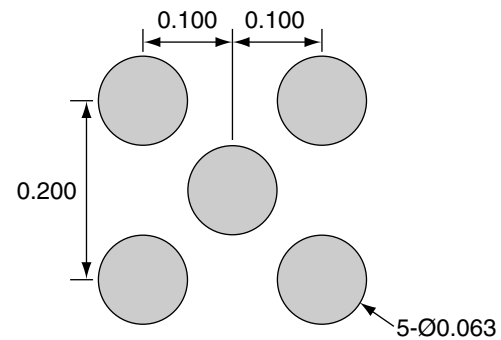
SIDE VIEW



BACK VIEW



RECOMMENDED FOOTPRINT



Title		RP-SMA FEMALE RIGHT ANGLE PCB MOUNT		CONNECTOR CITY 159 ORT LANE MERLIN, OR 97532 PH (541)-471-6256 FAX (541)-471-6251	
Part No.	CONREVSMA002	Revision:	1.0		
Dimensions:	INCHES (mm)	Date:	3/2/2005	Sheet 1 of 1	

CONNECTOR CITY
THE VALUE OF CONNECTIONS