

FIDUCIAL\_MARK FIDUCIAL\_MARK FIDUCIAL\_MARK FIDUCIAL\_MARK FIDUCIAL\_MARK FIDUCIAL\_MARK  
 FM1 FM2 FM3 FM4 FM5 FM6



VOLTAGE REGULATOR

Generated voltage:  
 3.3 V for CC1111

SoC peripherals

- USB Connector
- Buttons
- LEDs
- SMD sockets

RESET\_N

P0\_0  
 P0\_1  
 P0\_2  
 P0\_3  
 P0\_4  
 P0\_5

P1\_0/LED  
 P1\_1/LED  
 P1\_2  
 P1\_3  
 P1\_4  
 P1\_5  
 P1\_6  
 P1\_7

P2\_0  
 P2\_1  
 P2\_2

PA\_DP  
 PA\_DM

RF-SoC PART

Including chip antenna

RESET\_N

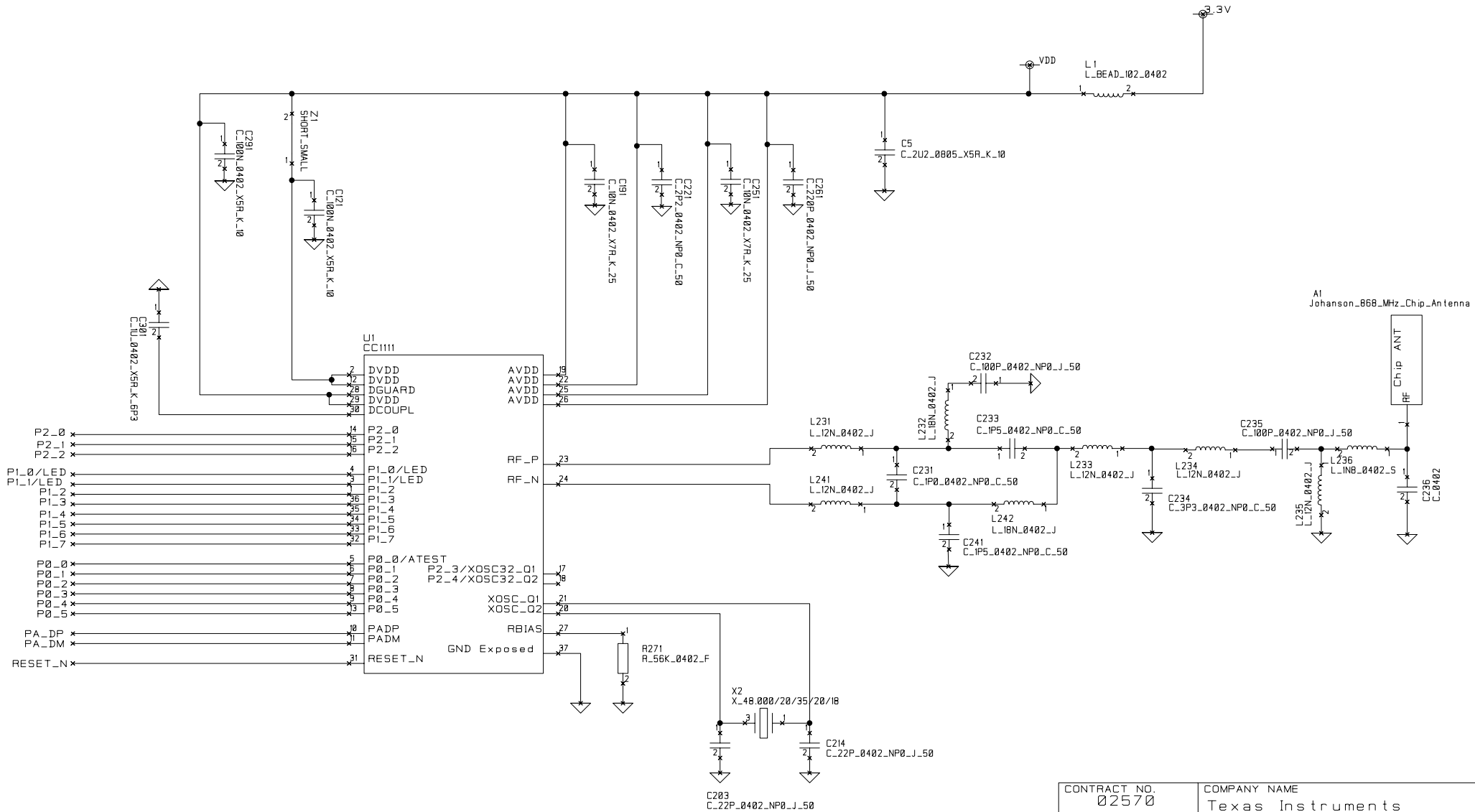
P0\_0  
 P0\_1  
 P0\_2  
 P0\_3  
 P0\_4  
 P0\_5

P1\_0/LED  
 P1\_1/LED  
 P1\_2  
 P1\_3  
 P1\_4  
 P1\_5  
 P1\_6  
 P1\_7

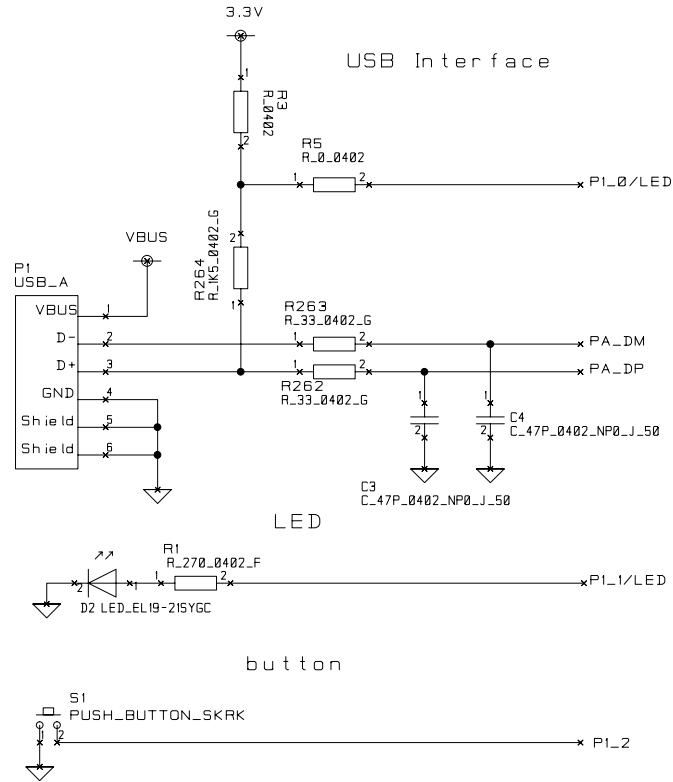
P2\_0  
 P2\_1  
 P2\_2

PA\_DP  
 PA\_DM

CONTRACT NO. 02570		COMPANY NAME Texas Instruments			
APPROVALS	DATE	DWG CC1111 USB Dongle			
DRAWN	AUA	SIZE A4	FSCM NO.	DWG NO.	REV. 1.0
CHECKED		SCALE		SHEET 1(4)	
ISSUED					



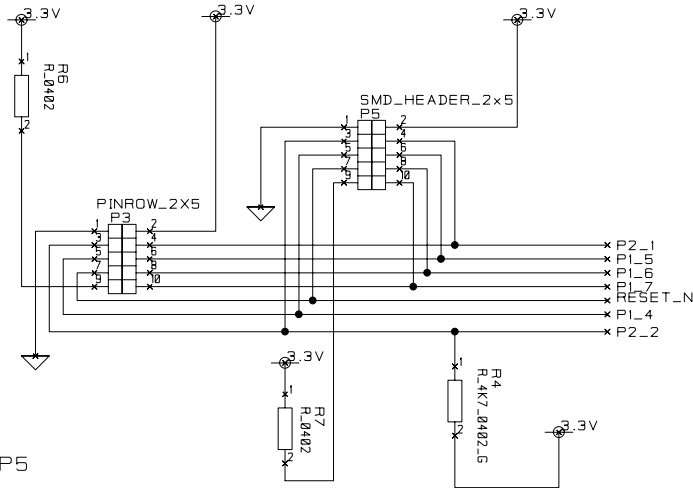
CONTRACT NO. 02570		COMPANY NAME Texas Instruments			
APPROVALS	DATE	DWG CC1111 USB Dongle RF-PART			
DRAWN	AUA	SIZE	FSCM NO.	DWG NO.	REV 1.0
CHECKED		A4			
ISSUED		SCALE			SHEET 3(4)



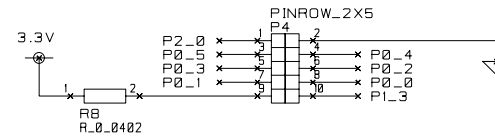
button



SoC debug/flash

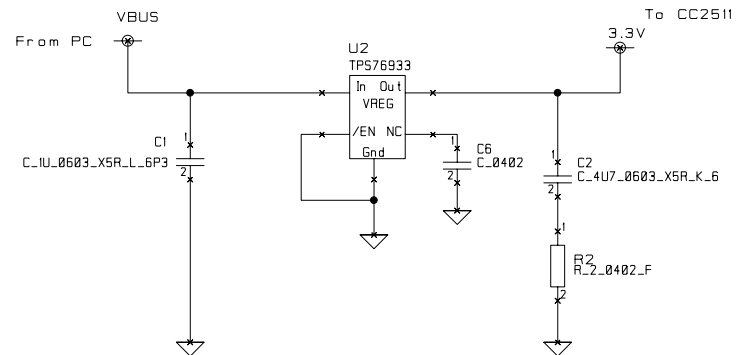


Additional testpins



Not mount: R3, R6, R7, P5

CONTRACT NO. 02570		COMPANY NAME Texas Instruments			
APPROVALS	DATE	DWG CC2511 USB dongle USB circuitry			
DRAWN	AUA	SIZE A4	FSCM NO.	DWG NO.	REV. 1.0
CHECKED					
ISSUED		SCALE			SHEET 4 (4)



Not mount: C6

CONTRACT NO. 02570		COMPANY NAME Texas Instruments			
APPROVALS	DATE	DWG CC1111 USB DONGLE VOLTAGE REGULATOR			
DRAWN	AUA	SIZE A4	FSCM NO.	DWG NO.	REV 1.0
CHECKED					
ISSUED		SCALE			SHEET 2 (4)