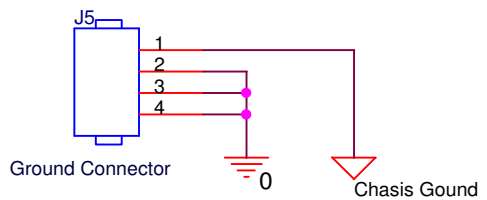
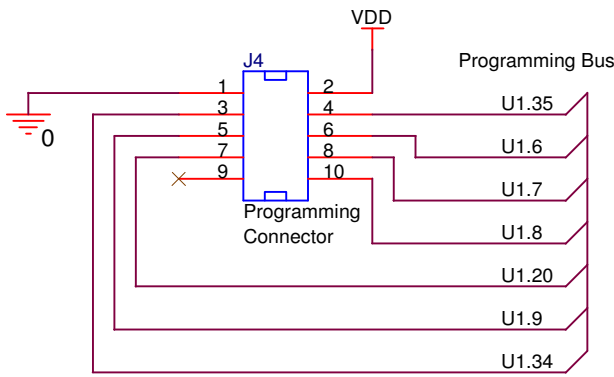
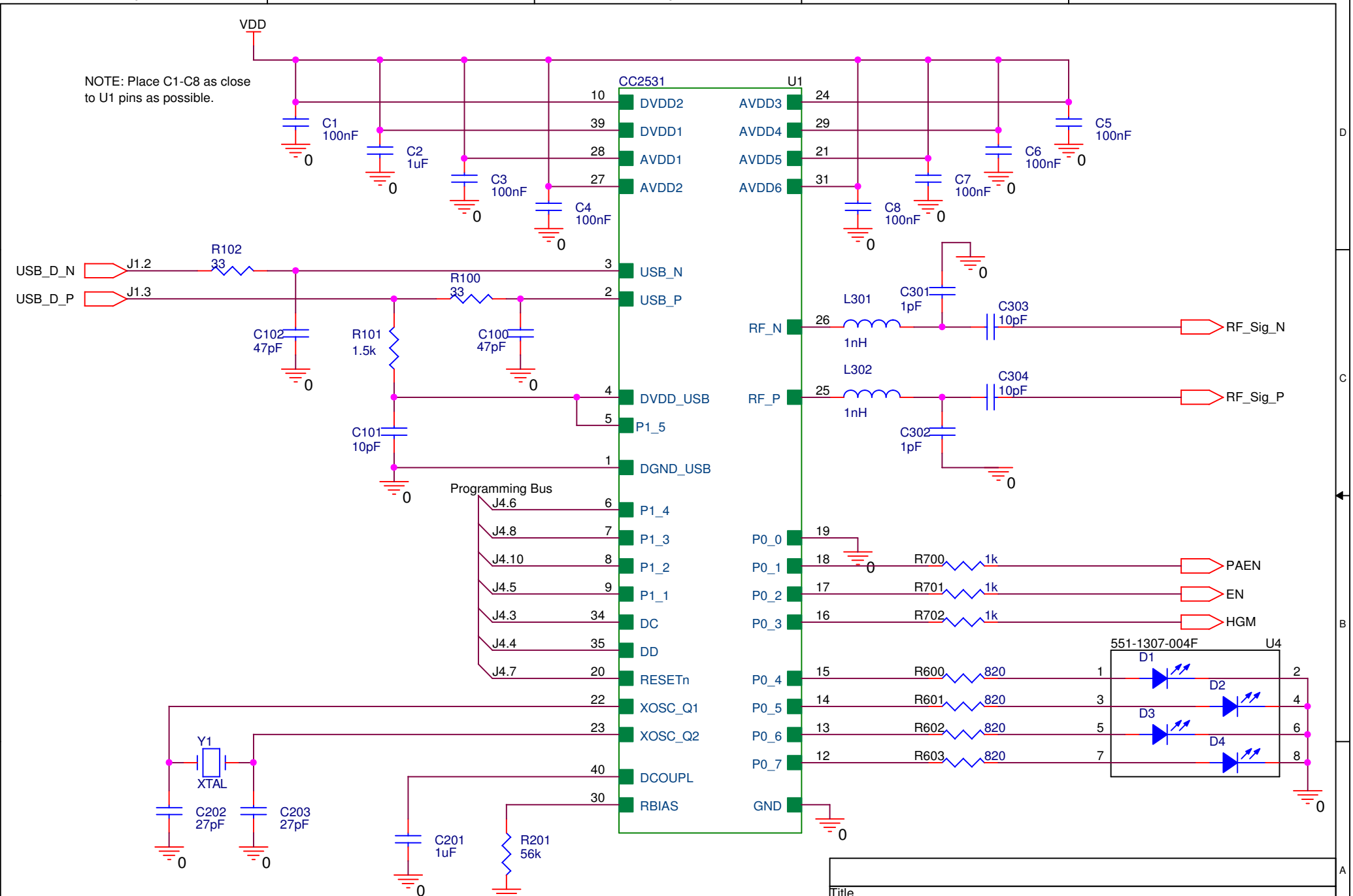


NOTE: Place C117 and C114 as close to U3 as possible.

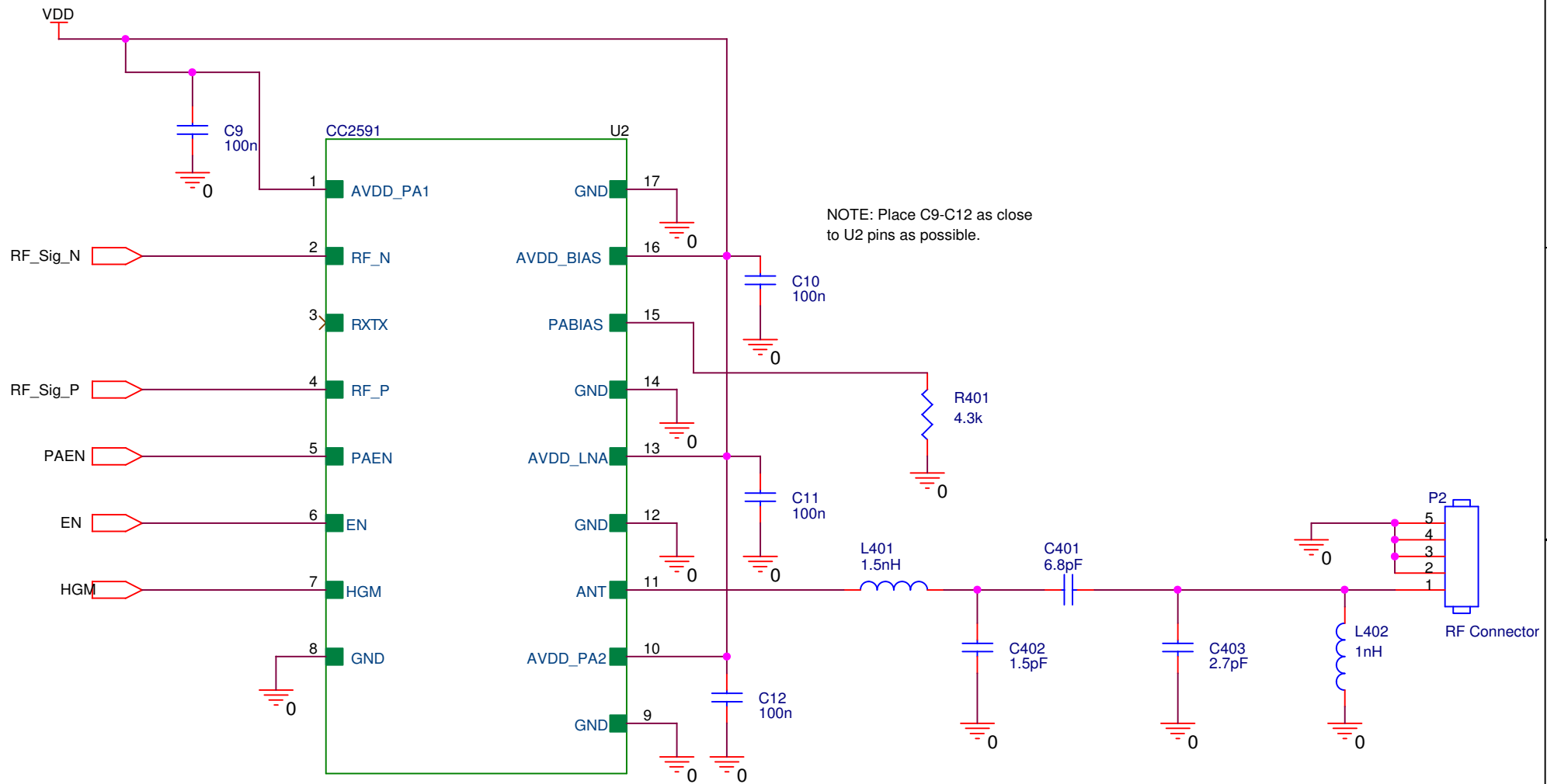


Title		
Mid-Range RF Module		
Size	Document Number	Rev
A	P11208-001	D
Date:	Friday, February 04, 2011	Sheet 1 of 3



NOTE: Place C1-C8 as close to U1 pins as possible.

Title		
Mid-Range RF Module		
Size	Document Number	Rev
A	P11208-001	D
Date:	Friday, February 04, 2011	Sheet 2 of 3



Title		
Mid-Range RF Module		
Size	Document Number	Rev
A	P11208-001	D
Date:	Friday, February 04, 2011	Sheet 3 of 3