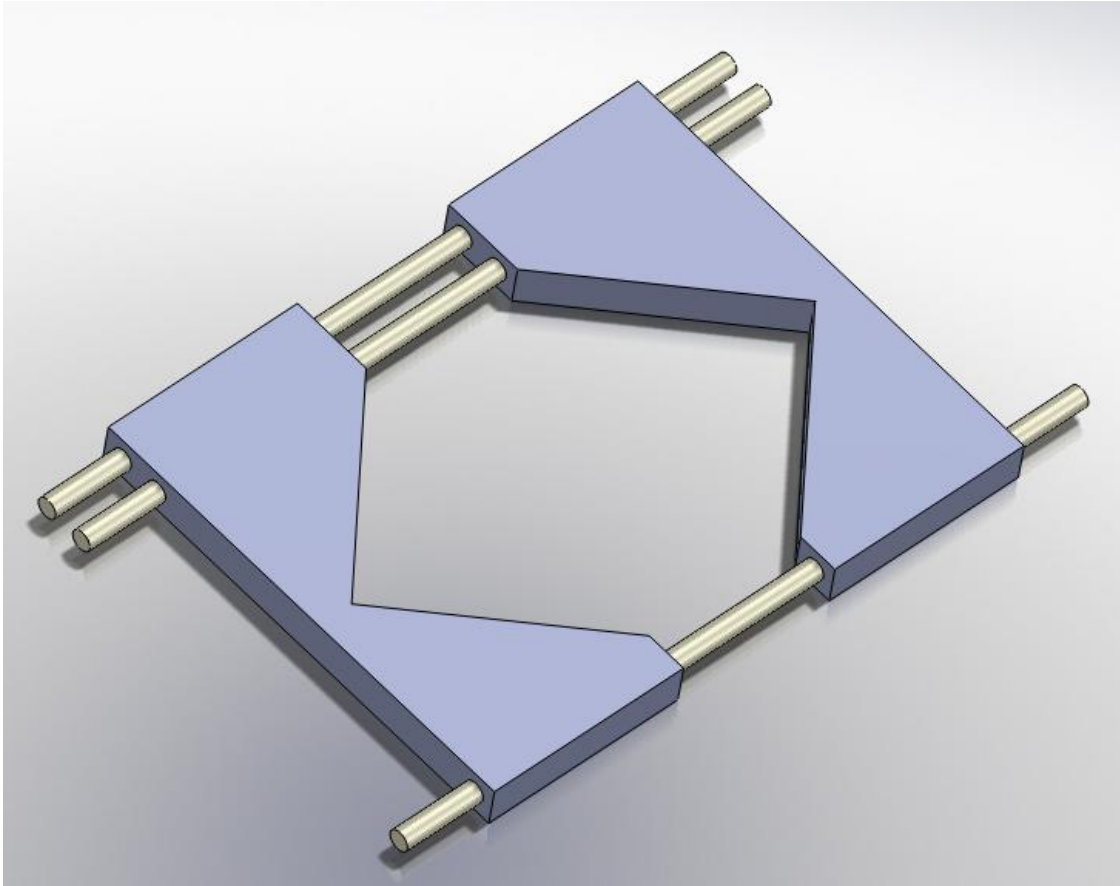


This is our design for the adjustable plant holder. The plant will sit inside of the two triangular-shaped sliders. The brackets themselves will move along the three threaded rods and be fastened tight by nuts when they are in the proper location. The side with the two threaded rods is the side located closest to the robot. It has two rods in order to account for the torque provided by the plant on the adjustable plant holder.

This design allows for adjustability in the plant size for when the plant outgrows its current pot. Additionally, because of how it is made, adjusting for various plant sizes does not require extra manufacturing or equipment.



**Figure 1 - Adjustable Plant Holder Part**

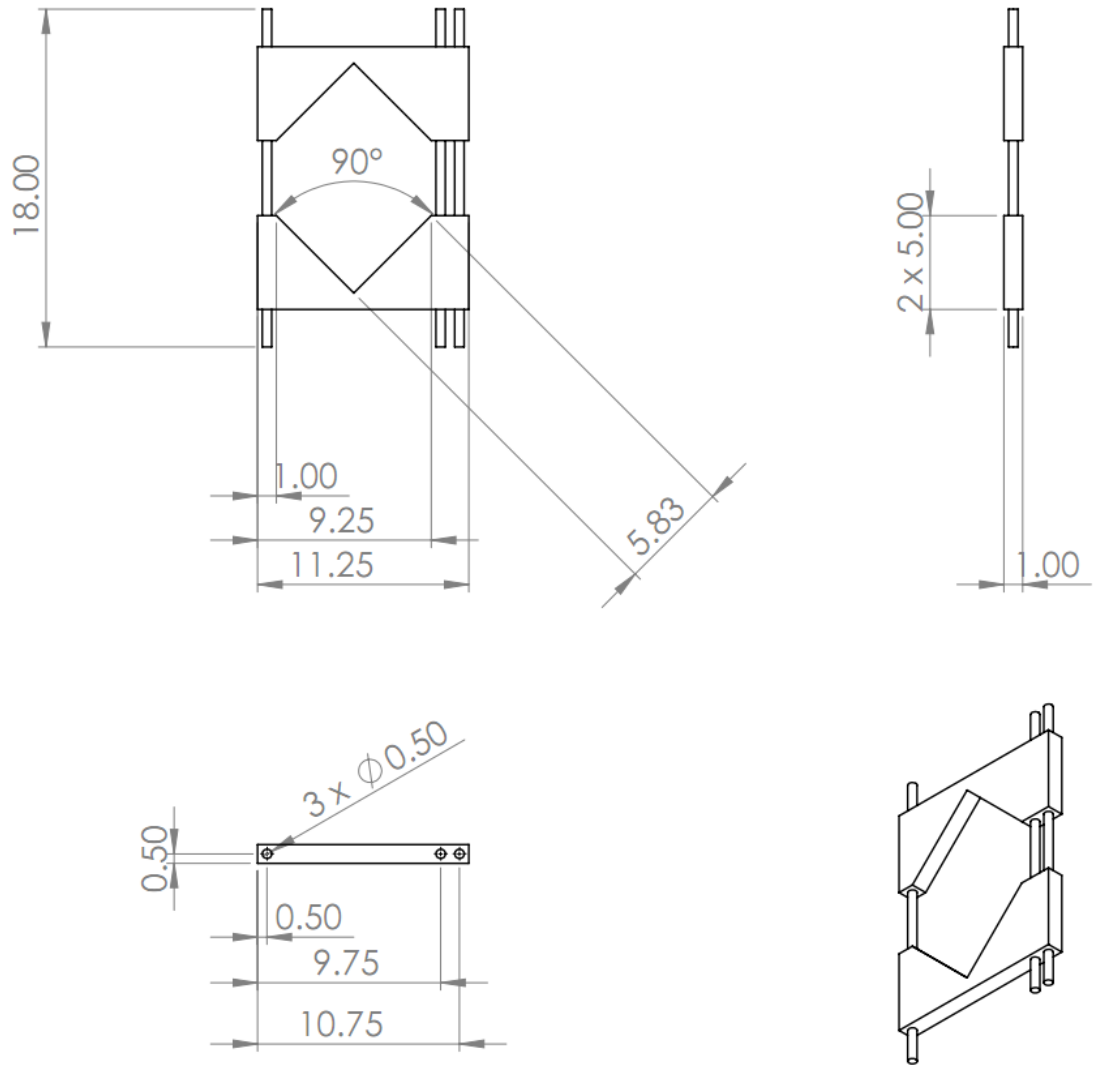


Figure 2 - Adjustable Plant Holder Drawing