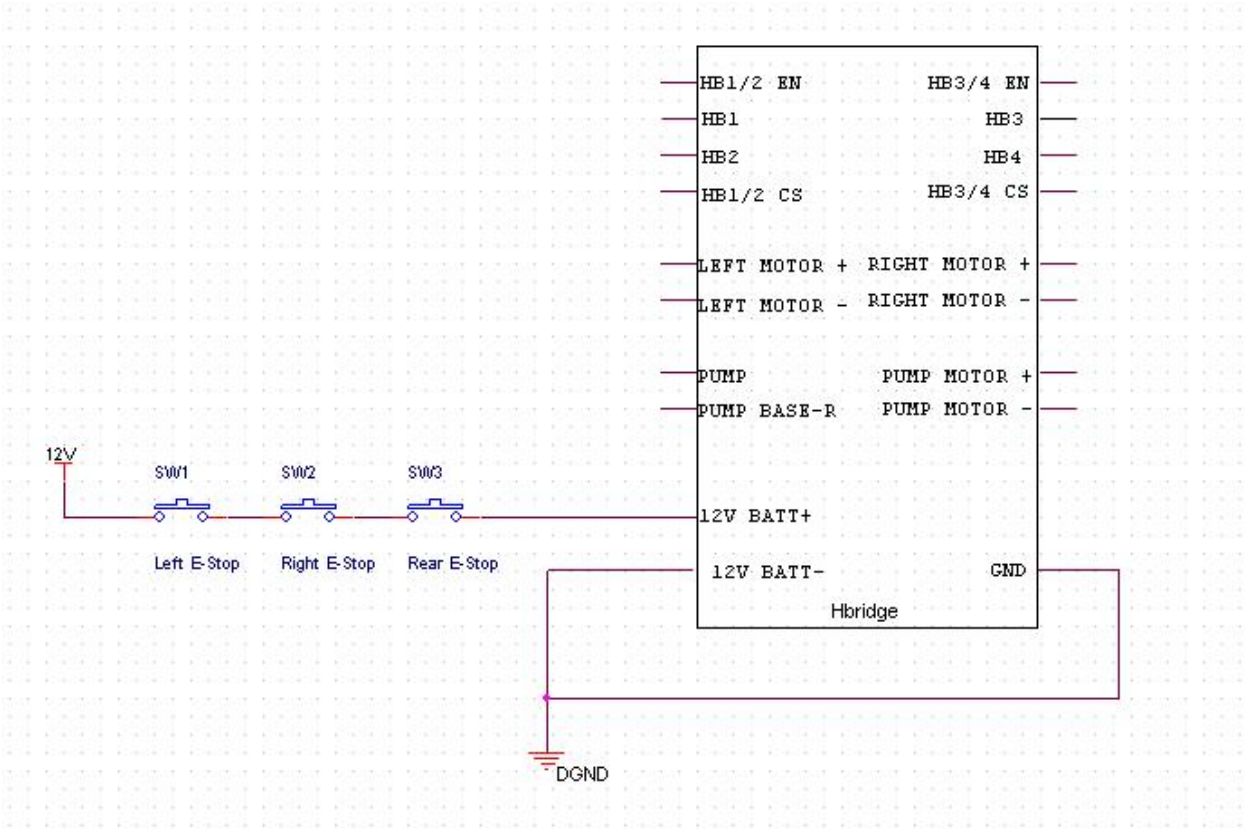


Emergency Stop Buttons Circuit Design:



On the motherboard already.

There are 3 emergency stop switches. When it's pressed, it cuts off the HBridge circuit which serves as supplying the power to the motors.