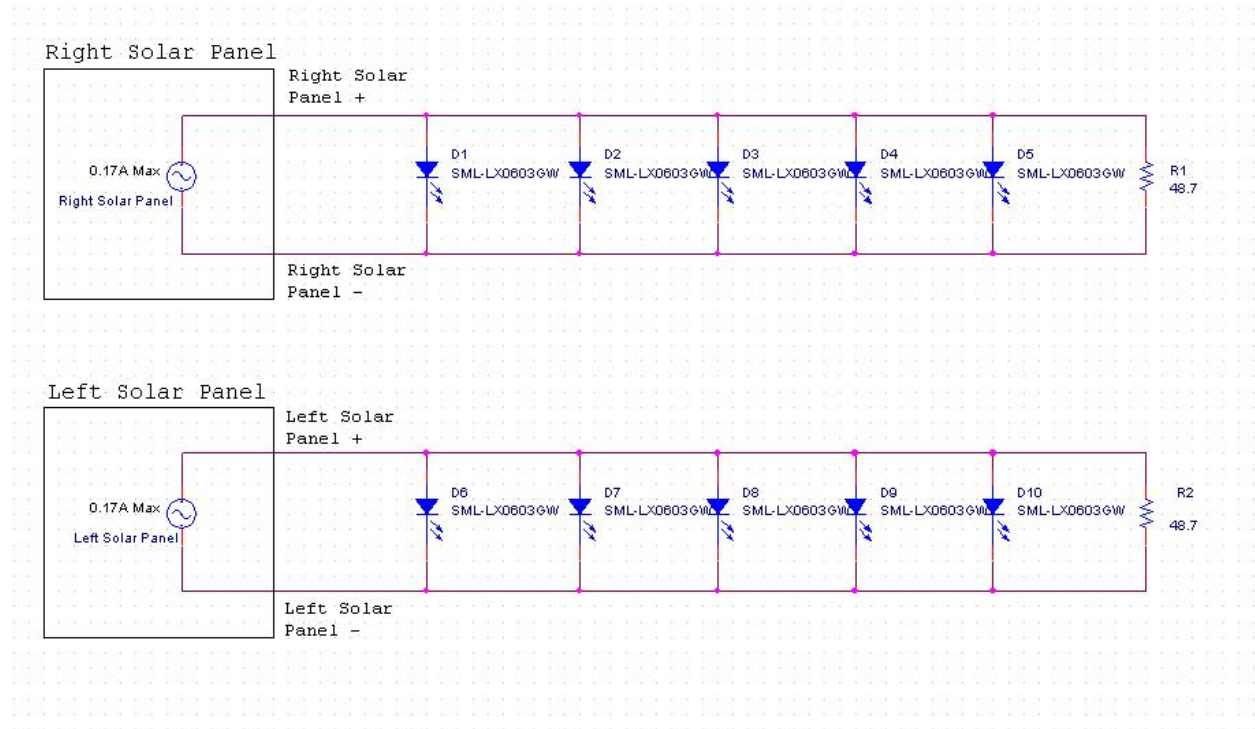


Solar Panel Circuit:



LED will light up, when the robot is getting the enough sun.

The voltage cross the resistor is 2.32V when it reaches the maximum current 0.17A